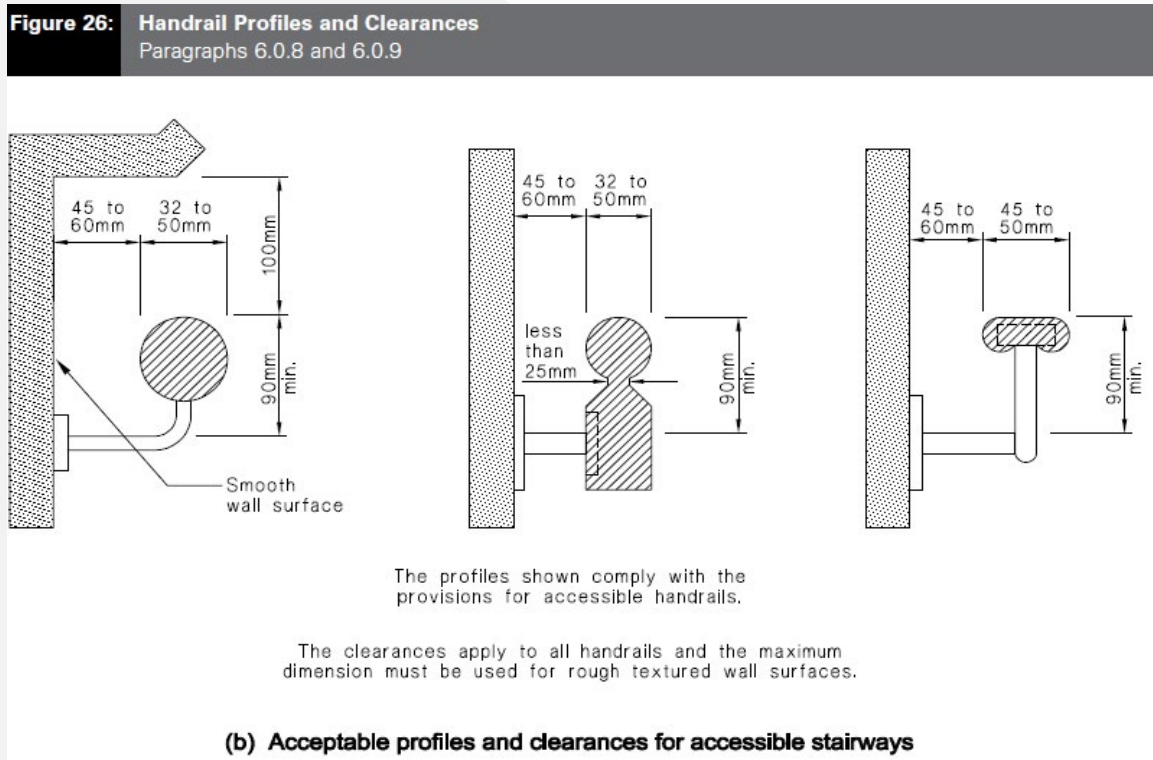


Hot Design Tips

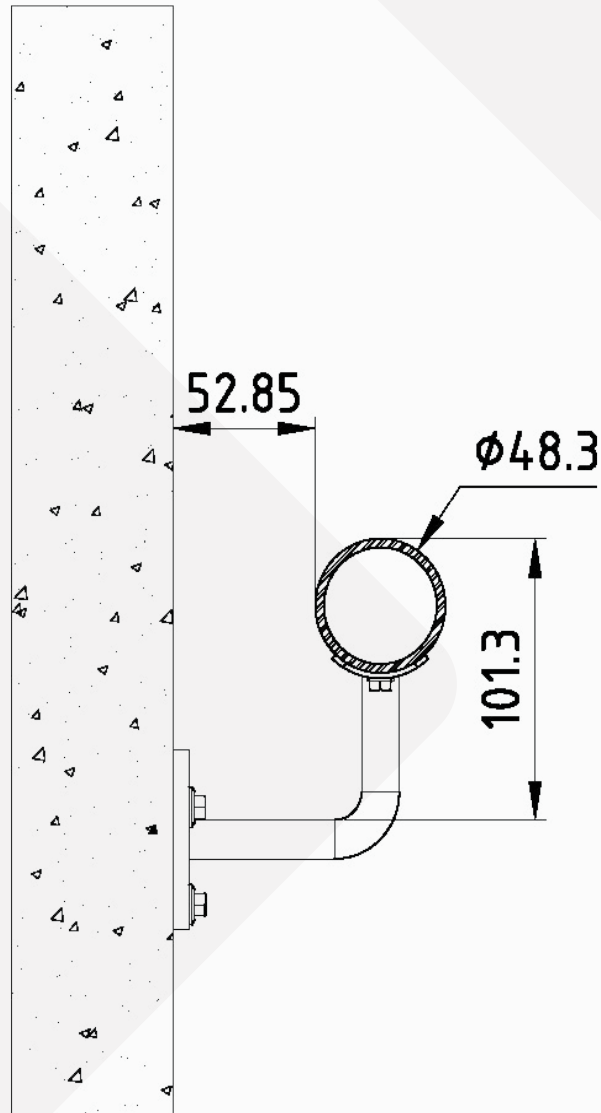
NZBC Clause D1 - Access Routes - Handrail Profiles

As noted in NZBC Clause D1 Access Routes, accessible stairways and accessible ramps shall have handrails provided on both sides. These handrails shall be continuous except where doors are located on landings, with a 300 mm (minimum) horizontal extension of the handrail being provided at each end of the handrail on these stairways & ramps.

The profile for these handrails on accessible stairways & accessible ramps are shown in Figure 26 (b).



The below snapshot shows one of our wall mount fittings with our standard 48.3mmØ pipe.



More details on handrail profile requirements can be found [here](#)