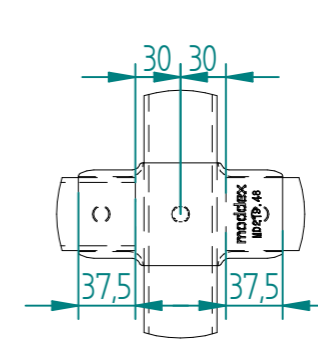
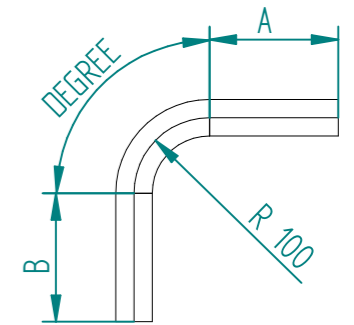


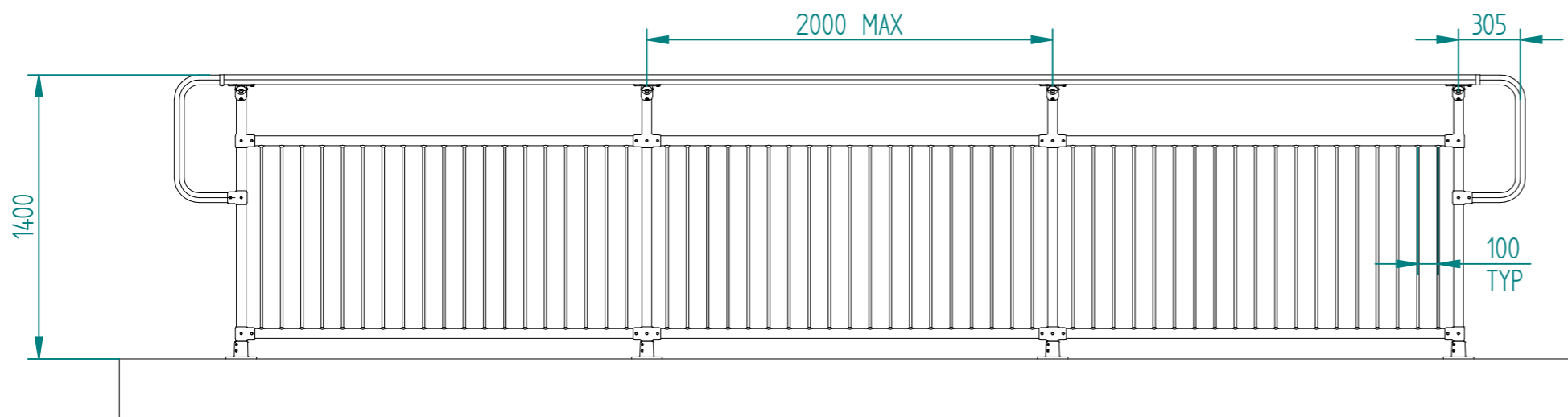
TOP MOUNT-T2 TOP MOUNT-T4 INGROUND MOUNT CORED MOUNT FACE MOUNT



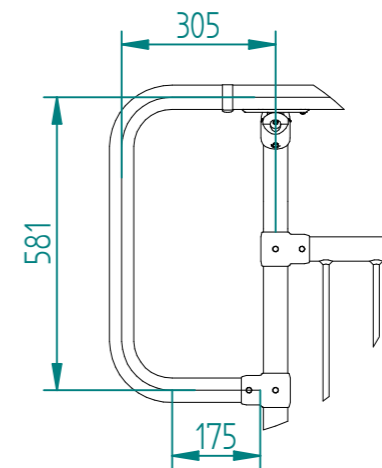
TYPICAL PIPE INSERTION



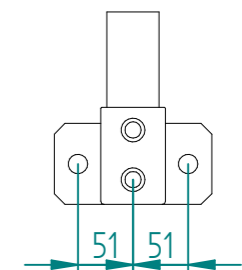
TYPICAL PIPE DIMENSIONS



SECTION SHOWING
STANDARD 2m SPACING



TYPICAL CLOSURE BEND



TYPICAL LEVEL HOLE CENTRES FOR F2 & T2

ALL DIMENSIONS IN MILLIMETERS
STANDARDS TOLERANCE ±1mm
MATERIAL FINISH: MINIMUM OF 1x1 BEVEL ON ALL EDGES
ALL PIPE TO CONFORM TO: AS 1074
GALVANIZED TO: AS/NZS 4680:2006

No	REVISION	DRAWN	DATE
0	Initial Design Intent	HGR	6/6/17

moddex

44 Kalman Drive
BORONIA VIC 3155
T1 03 8727 9055
E1 technical@moddex.com.au

SCALE	1:50	A3
DRAWN	HGR	12/07/17
CHECKED	RDS	12/07/17
DESIGNED	-	-
APPROVED	-	-

BIKESAFE DRAWINGS	
PICTORIAL RULES	
-	

DRAWING/PART No.				
-				
Sheet				1 OF 1
ISSUE	A	B	C	D