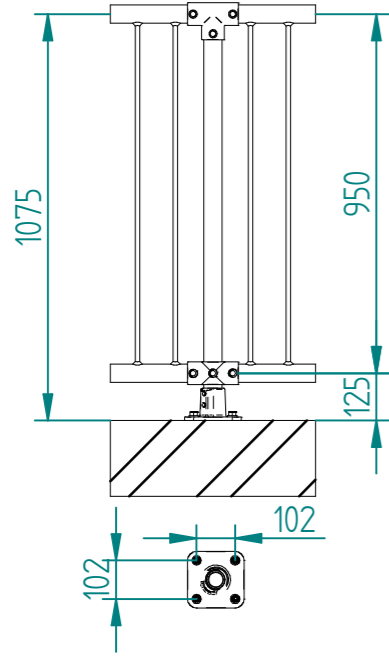
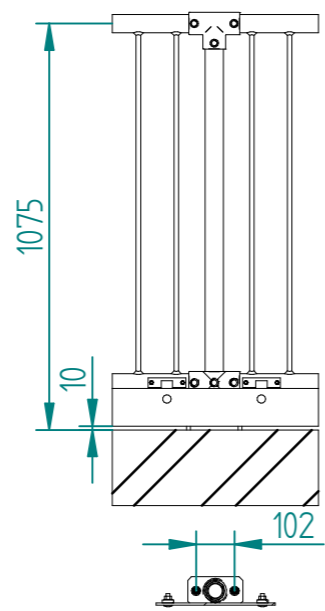


CB10



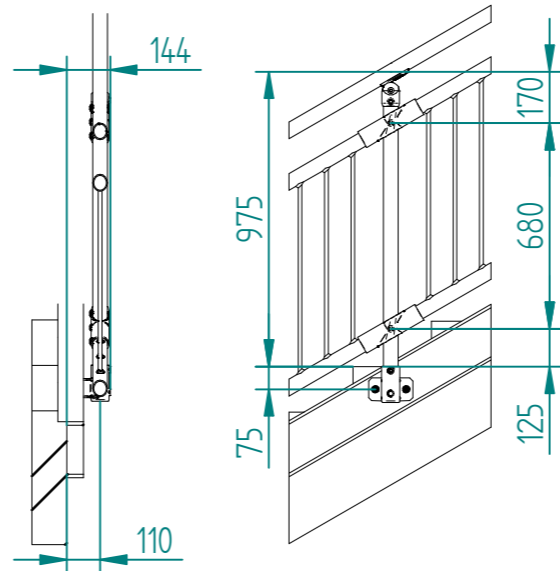
TOP MOUNT -T4

CB20



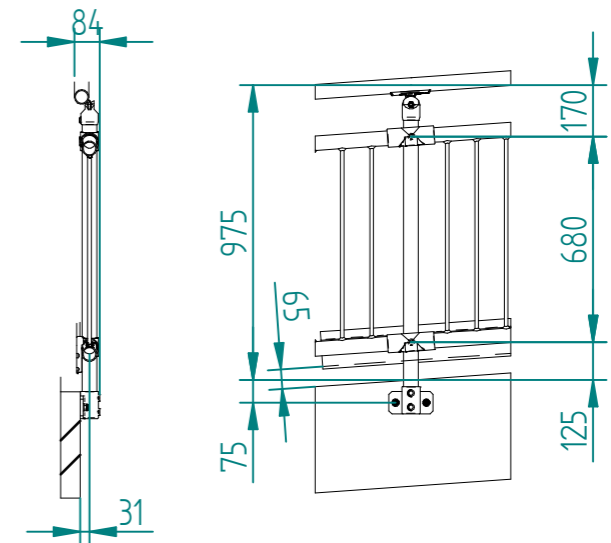
TOP MOUNT -T2

CB30



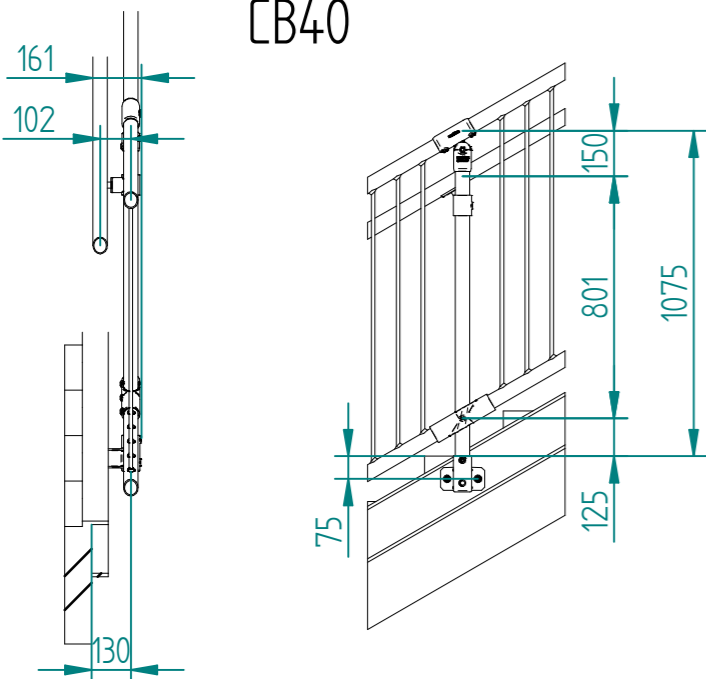
CHANNEL MOUNT -C11

CB35



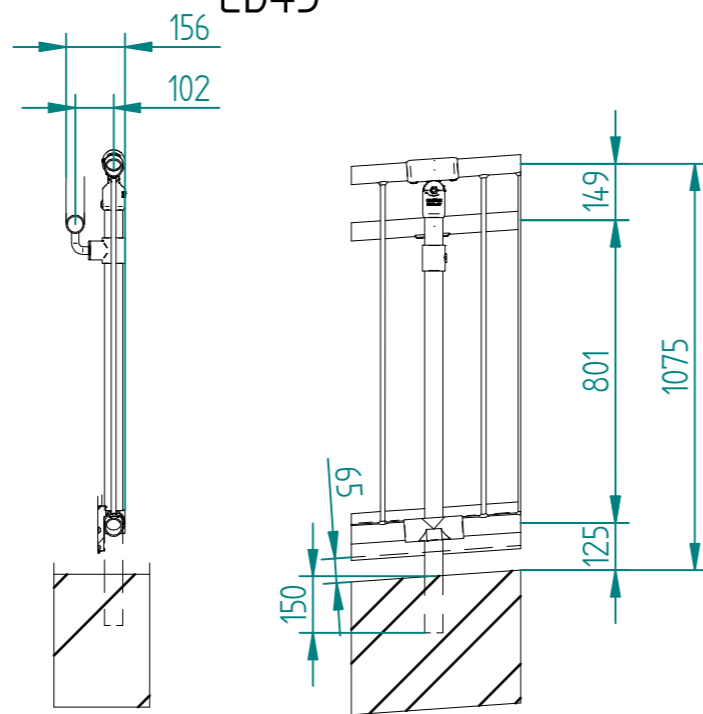
FACE MOUNT -F2

CB40



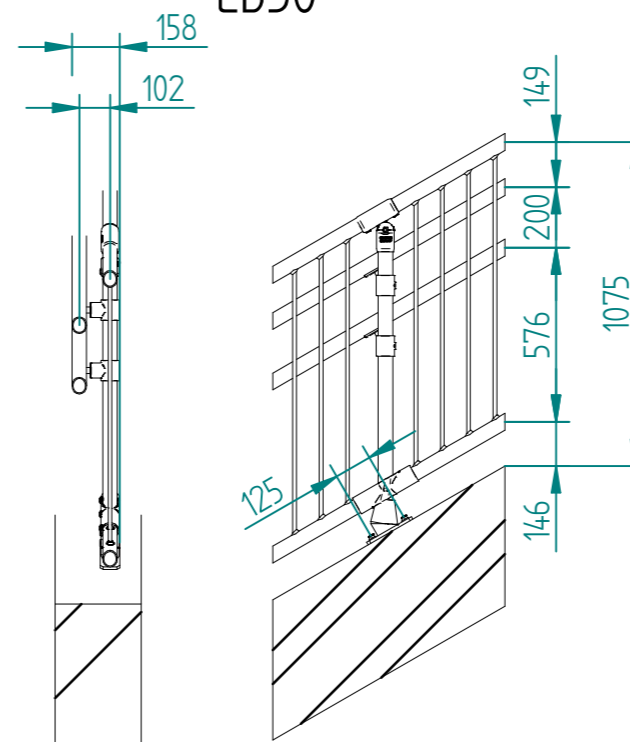
CHANNEL MOUNT -C13

CB45



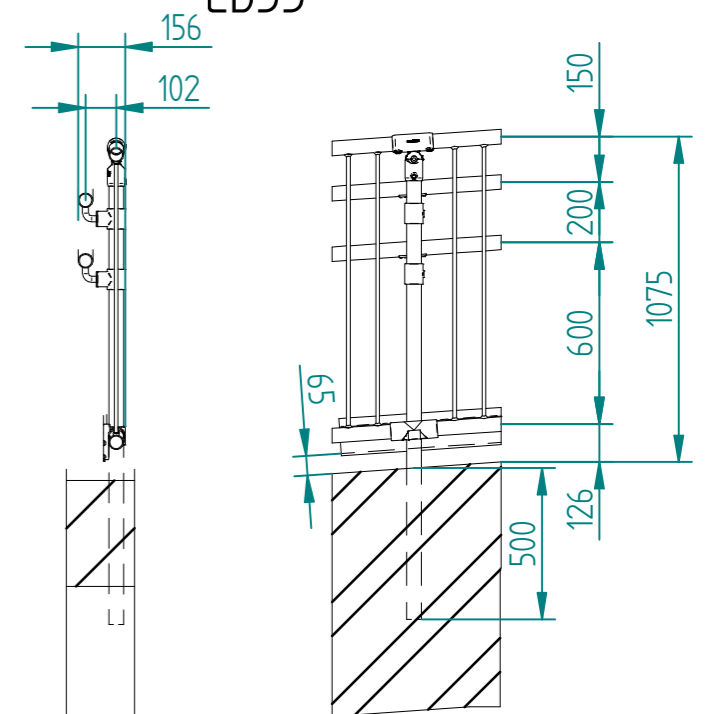
CORED MOUNT

CB50



ANGLE MOUNT -AM

CB55



INGROUND MOUNT

ALL DIMENSIONS IN MILLIMETERS
 STANDARDS TOLERANCE ±1mm
 MATERIAL FINISH: MINIMUM OF 1x1 BEVEL ON ALL EDGES
 ALL PIPE TO CONFORM TO: AS 1074
 GALVANIZED TO: AS/NZS 4680:2006

No	REVISION	DRAWN	DATE
0	Initial Design Intent	HGR	6/6/17

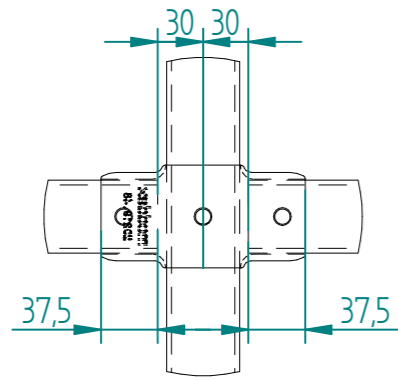
moddex

44 Kalman Drive
 BORONIA VIC 3155
 T1 03 8727 9055
 E1 technical@moddex.com.au

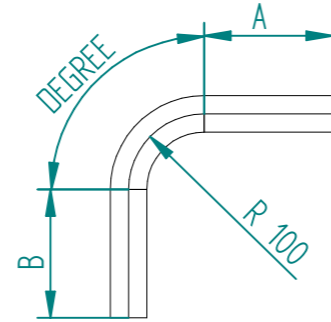
SCALE	1:50	A3
DRAWN	HGR	21/08/17
CHECKED	RDS	21/08/17
DESIGNED	-	-
APPROVED	-	-

CONECTABAL DRAWINGS	
PICTORIAL RULES	
-	

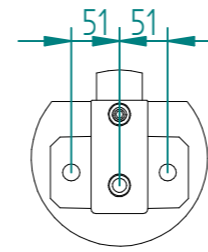
DRAWING/PART No.				
-				
Sheet				1 OF 2
ISSUE	A	B	C	D



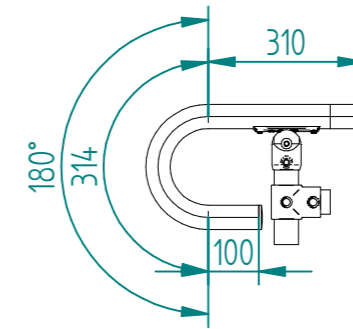
TYPICAL PIPE INSERTION



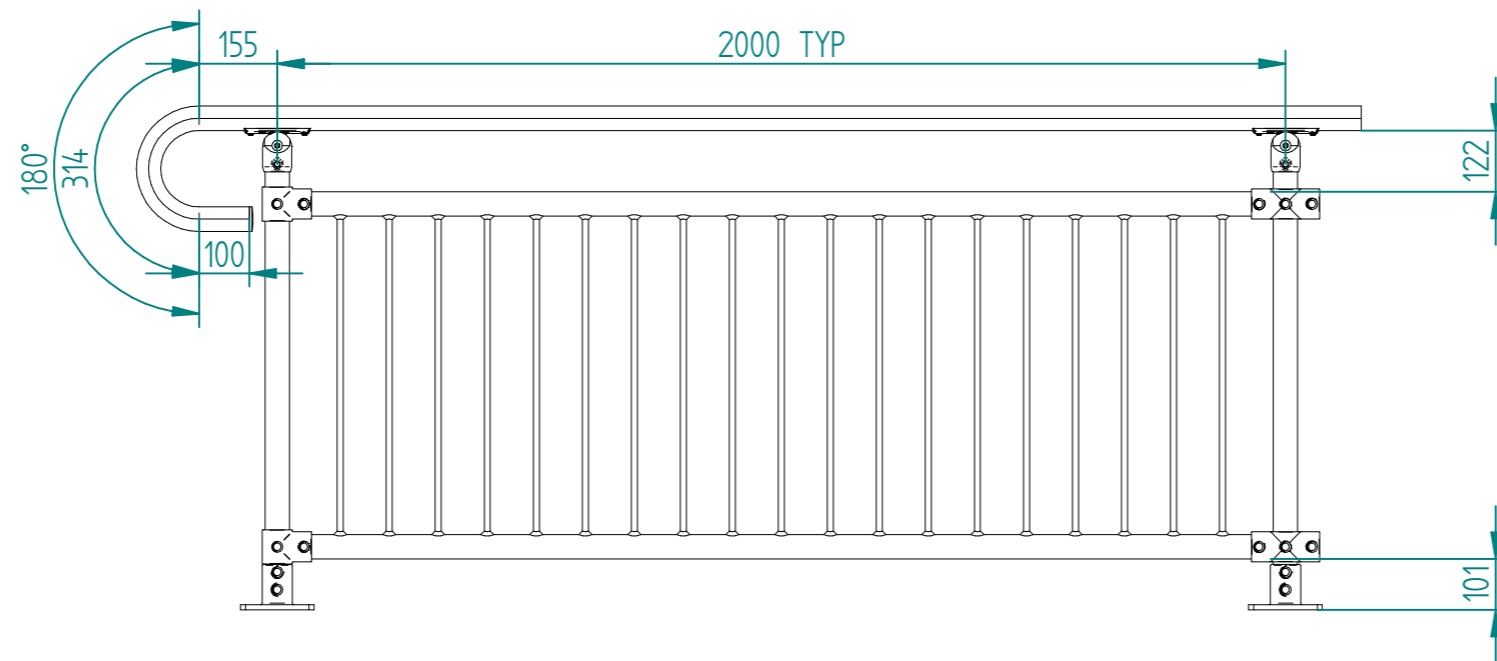
TYPICAL PIPE DIMENSIONS



TYPICAL LEVEL HOLE CENTRES FOR F2, T2, C11 & C13



TYPICAL CLOSURE BEND



SECTION SHOWING STANDARD 2m SPACING

FOR ANGLES RANGING FROM 30° - 45° THE HOLE PITCHING IS 125mm. FOR ANGLES LESS THAN 30° BUT GREATER THAN 11° THE HOLE PITCHING IS 131mm.

ALL DIMENSIONS IN MILLIMETERS
 STANDARDS TOLERANCE ±1mm
 MATERIAL FINISH: MINIMUM OF 1x1 BEVEL ON ALL EDGES
 ALL PIPE TO CONFORM TO: AS 1074
 GALVANIZED TO: AS/NZS 4680:2006

No	REVISION	DRAWN	DATE
0	Initial Design Intent	HGR	25/7/17

moddex

44 Kalman Drive
 BORONIA VIC 3155
 T1 03 8727 9055
 E1 technical@moddex.com.au

SCALE	1:50	A3
DRAWN	HGR	21/08/17
CHECKED	RDS	21/08/17
DESIGNED		
APPROVED		

CONECTABAL DRAWINGS	
PICTORIAL RULES	
-	

DRAWING/PART No.				
-				
Sheet				2 OF 2
ISSUE	A	B	C	D