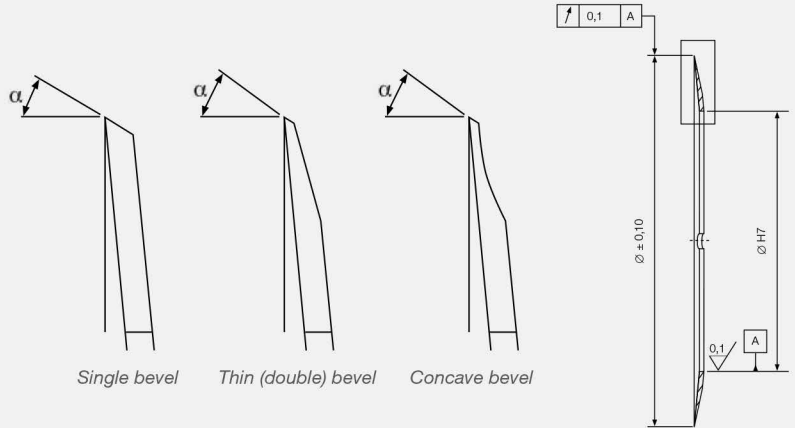


Circular dished knives and bottom bands

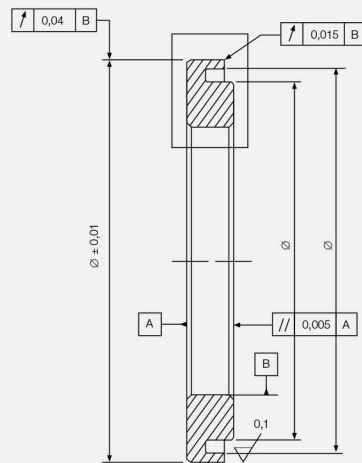
The product range includes also circular dished knives and bottom knives in various

executions, bevel configurations and different surface qualities.

Circular dished knives



Bottom bands



Circular dished knives are available in different versions:

- Single or double bevel
- Normal bevel
- Thin bevel
- Thin bevel, concave bevel
- Standard or polished bevel

Bottom bands are available in different versions:

- Plain bore hole for axial fixing
- With ball ring fixing
- With eccentric ring fixing
- With screw fixing