



Knives and Wear Parts
for wood processing



Precision and Perfection: For optimal cutting performance, surface consistency and longevity.

Our knowledge as well as an in-depth understanding of the requirements of “cutting” in various industries are the foundation of our knives and wear parts for wood processing.

Whether the parts are made from chrome steel, tool steel, special material, surface treated or refined, we produce highly efficient cutting tools that prove their merit in precision and long-term use.

The focus of our service lies on intensive dialogs with our customers. Together we

develop the most enhanced cutting tools and systems, which will fit perfect in your individual cutting and production processes.

Thanks to uncompromising quality management – from the procurement of raw materials to delivery – we can guarantee that absolutely no tolerance deviations will impair the performance of our cutting tools.

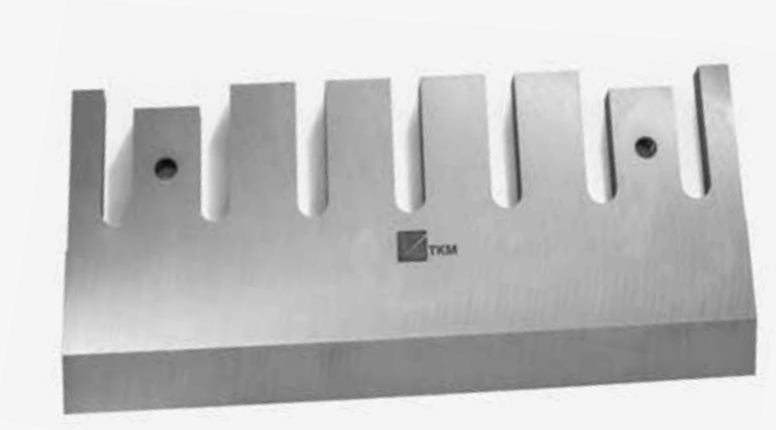
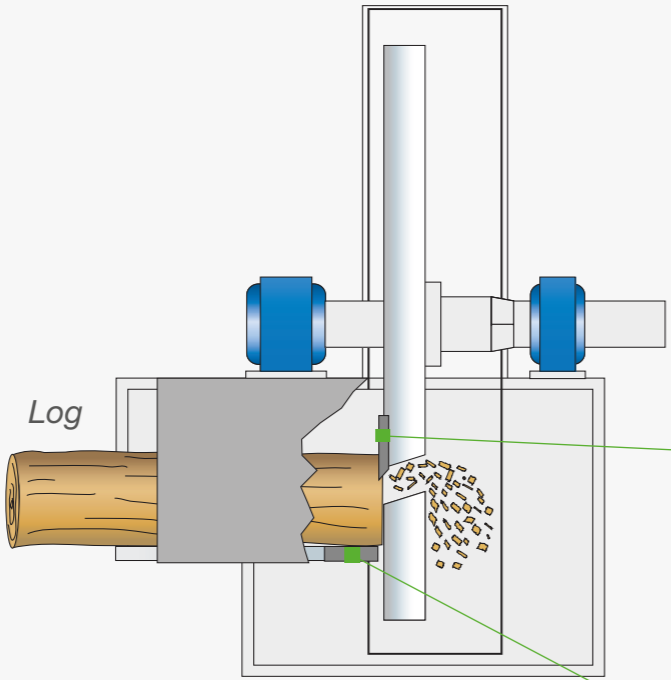
In this way we can offer customized solutions with measurable added value. TKM. The Knife Manufacturers.

Content

Knives and wear parts for wood processing	4-7	TKM worldwide	10
Chipping	8	TKM Headquarters	12
Flaking	9	TKM Locations	14

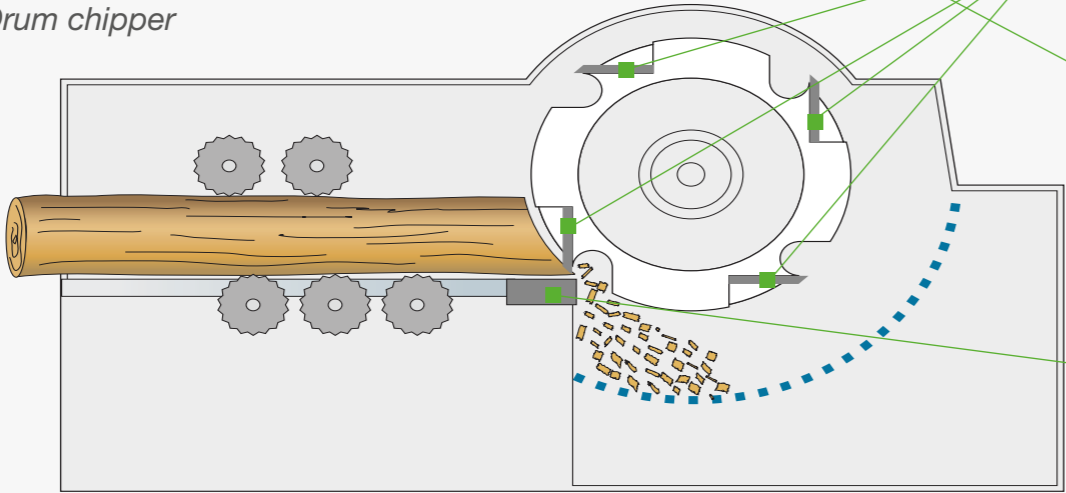
Knives and Wear Parts for wood processing - Chipping

Disc chipper



Chipper Knife

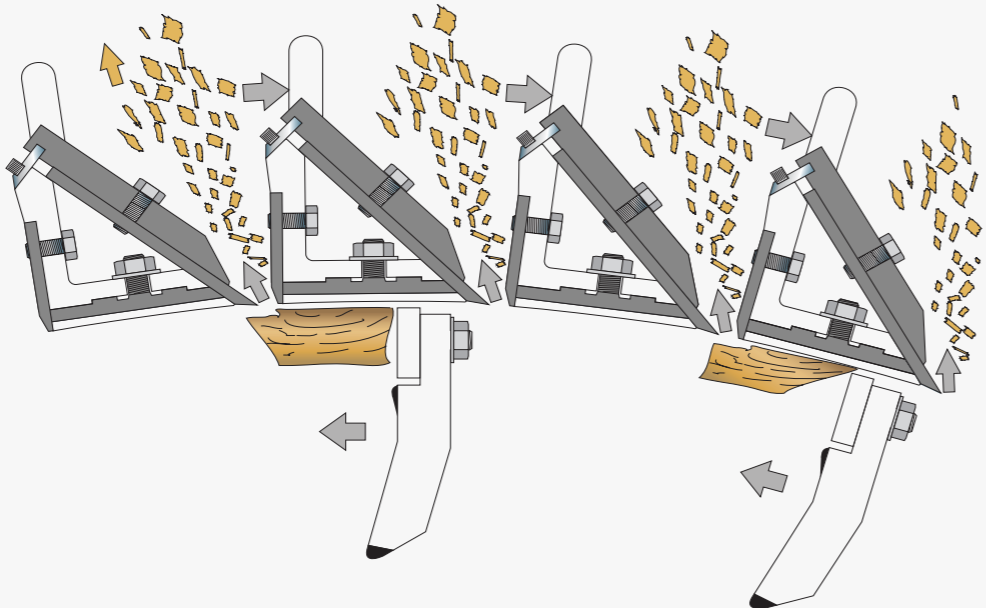
Drum chipper



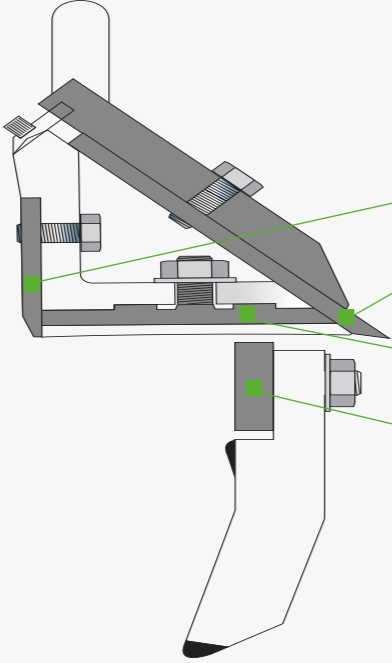
Counter Knife

Knives and Wear Parts for wood processing - Flaking

Flaker



Detailed view



Flaker Knife



Pressure Lip



Wear Shoe



Beater Ledge

Chipping

High performance, economical, efficient

The TKM Group produces chipper and counter knives, holders and clamping plates within tight tolerances as requested by OEMs and endusers alike. Consequently, our knives and wear parts have excellent wear resistance and high tensile strength combined with maximum durability.

Our tools are in use in various industries around the globe such as:

- Pulp Industry
- Board Industry
- Mobile Chipping
- Sawmills
- Biomass Energy and Recycling



Flaking

The TKM Group produces knives and wear parts for OSB and particle board production within tight tolerances as requested by OEMs and end users alike. Consequently, our knives and wear parts have excellent wear resistance and high tensile strength combined with maximum durability. All of the above required precision manufacturing combined with accurate heat treatment.

- Flaker Knives
- Waferizer / Strander
- Beater Ledges
- Knife Holders
- Wear Shoes
- Pressure Lips
- Hammers



Technical features

Qualities	EcoCut, Chipper, SuperCut
Execution	Length up to 1500 mm, Width up to 300 mm, Thickness up to 25 mm
Hardness	Depending on application and alloy between $52 \pm \text{HRc}$ and $60 \pm 1 \text{ HRc}$
Tolerances	According to OEM requirements
Heat treatment	Solid through hardened or partial hardened

Technical features

Qualities	EcoCut, Chipper, SuperCut
Execution	For all commonly known types of machinery, based on samples or drawings
Hardness	Depending on application and alloy between $52 \pm \text{HRc}$ and $60 \pm 1 \text{ HRc}$
Tolerances	According to OEM requirements
Heat treatment	Solid through hardened or partial hardened

Close by – Worldwide.

The TKM group forms a system of cutting expertise. We create additional value – far beyond cutting.

Throughout the world, we share together the consistently pursued aim of innovation and new technologies, as is reflected by the abilities of our workers and employees.

As a network, we utilize the potential of our local companies, which lay the foundations for our first-class service, high flexibility and personal consulting on site.

As developers and manufacturers of products and systems, we will passionately look for the optimal solution for you.



TKM

Telephone: +49 (0) 2191 969 0
Remscheid, Germany

TKM Geringswalde

Telephone: +49 (0) 37382 846 0
Geringswalde, Germany

TKM Meyer

Telephone: +49 (0) 4532 400 0
Bargteheide, Germany

TKM Austria

Telephone: +43 (0) 7442 601 0
Böhlerwerk/Traismauer,
Austria

TKM Diacarb

Telephone: +31 (0) 1045 999 45
Capelle aan den IJssel,
Netherlands

TKM France

Telephone: +33 (0) 328 350 800
Bondues, France

TKM TTT Finland

Telephone: +358 (0) 201 240 288
Akaa/Toijala, Finland

TKM China

Telephone: +86 (21) 5986 905 0
Shanghai, China

TKM Blades Malaysia

Telephone: +60 (3) 7875 - 7669
Selangor, Malaysia

TKM Singapore

Telephone +60 (3) 7875 - 7669
Selangor, Malaysia

TKM US

Telephone: +1 (859) 689 709 4
Erlanger, United States of America

TKM Canada

Telephone: +1 (450) 378 196 5
Saint-Alphonse-de-Granby,
Canada

info@tkmgroup.com
www.tkmgroup.com

Headquarters TKM, Remscheid



TKM, the internationally leading corporate group, manufactures and sells high-quality industrial knives, saws, doctor blades and precision consumable parts for industrial applications.

Our technologies, products and industrial services are applied and appreciated worldwide across many industries. As an independent family company, we have been setting the standards in quality and innovation,

technical expertise and close cooperation for over 100 years.

Reliability, integrity and commitment are the hallmarks of our collaboration. We define our claims to excellence in terms of these fundamental values by being:

Innovative, precise and close by.

Innovative:

We strive for new technology and continuously develop products and processes, in order to produce the highest performing Industrial machine knives and cutting tools.

Precise:

Our products, services and technical ability all help benefit our customers processes, productivity and finally finished product to assist in their operational development.

Close by:

Our philosophies are sustainable and stand for a balance between environmental measures, economic development and social engagement.

No matter where you are in the world a TKM subsidiary or partner is never far away.

TKM Austria

At two Austrian production sites, in Böhlerwerk and Traismauer, we develop and produce products for cutting applications for the metal, paper, wood, stone, rubber and plastic industries. In the last couple of years, we have developed the Böhlerwerk site into a competent partner for the production of complex components for mechanical engineering.

Equipped with state-of-the-art machinery, we design and deliver all industrial knives and machine elements required for current applications. In this way, we can ensure the efficiency of your systems.

With our know-how and substantial in-house production depth, we'll find the right solutions for your manufacturing processes.



TKM TTT Finland

TKM TTT Finland is one of the leading manufacturers of high-quality Saws, Knives and Consumables for the wood industry.

For more than 50 years our partners from the sawmill-, pulp-, plywood and veneer industry trust in the tools from TKM.

Our tools are worldwide in around 35 countries in use.

A modern machine park with the latest heat treatment equipment and high motivated employees ensure the quality from today - and tomorrow.



TKM Austria – Böhlerwerk

- 180 workers – 10% trainees
- 75 machine tools , including: 5-axis milling, precision grinding, chamber, inductive and vacuum heat treatment ovens, straightening shop
- 11.000 m2 total production and storage area
- Main areas of production: metal, wood, paper, machine elements, plastics/recycling
- Production batch sizes: 1 to 500

TKM Austria – Traismauer

- 48 workers – 10% trainees
- 45 machine tools , including machines and systems for laser cutting, milling, grinding as well as heat treatment and hard soldering
- 3.000 m2 total production and storage area
- Main areas of production: wood, metal and stone
- Production batch sizes: 1 to 500

TKM TTT Finland

- 111 workers – 10% trainees
- 105 machine tools
- 11.900 m² total production and storage area
- Main areas of production: Wood, Paper, Machine parts
- Production batch sizes: 1 bis 2.500
- Production volume: 100.000 precision parts per year



TKM

TKM
TKM Geringswalde
TKM Meyer
TKM Diacarb
TKM France
TKM Austria
TKM TTT Finland
TKM US
TKM Canada
TKM China
TKM Blades Malaysia
TKM Singapore

Headquarters

TKM GmbH
In der Fleute 18
42897 Remscheid
Germany

Telephone: +49 (0) 2191 - 969 - 0
info@tkmgroup.com
www.tkmgroup.com