

# CIH Series Filter Housings

4 & 5 Round Housings with Swing Bolt Closure



CIH multiple cartridge housings have a robust swing bolt closure and are a proven design for commercial and industrial applications. Available in 304 SS or 316L SS, all CIH housings are designed with universal cartridge cups, allowing you to use DOE or 2-222 SOE style cartridges with fin or flat end. This gives you one housing that can meet both your nominal and absolute filtration needs and allow quick cartridge changeouts. CIH housings have 2" MNPT ports and EP gaskets as standard, but are also available with other port designs and gasket materials. CIH housings will meet a wide spectrum of applications. Every housing is supplied with a mounting tab kit and operations manual.

## Maximum Operating Parameters

**Operating Pressure** ..... 150 psi (10 bar)  
**Operating Temperature** ..... 300°F (149°C)

## Standard Features

- ◆ Robust swing bolt closure design
- ◆ Universal configuration – fits DOE and/or 2-222 fin or flat cartridge types
- ◆ Universal cups are 100% back welded to guarantee a no-bypass seal
- ◆ Mounting tab kit: Included with every housing
- ◆ Ethylene propylene gasket for operation at up to 300°F temp rating
- ◆ Bead blast finish
- ◆ Hold down knob is stainless steel wing nut
- ◆ Shipped with operations and spare parts manual

## Flow Rates<sup>1</sup>

Model	Number Round	Nominal Cartridge Length	Water Flow @ 1 micron*	Water Flow @ 10 micron**
CIH41	4	10"	12 gpm	30 gpm
CIH42	4	20"	24 gpm	60 gpm
CIH43	4	30"	36 gpm	90 gpm
CIH44	4	40"	48 gpm	120 gpm
CIH51	5	10"	15 gpm	38 gpm
CIH52	5	20"	30 gpm	75 gpm
CIH53	5	30"	45 gpm	100 gpm
CIH54	5	40"	60 gpm	120 gpm

\* Based on a 1 micron GDMB melt blown cartridge at less than 2 psid clean pressure drop.  
 \*\* Based on a 10 micron GDMB melt blown cartridge at less than 2 psid clean pressure drop.  
<sup>1</sup> Note: Flows will vary based on fluid filtered, viscosity, temperature, micron selection and cartridge type. This is to be used as a guideline only.

## Standard Features

This is to give you an overview of our standard product, please see options on reverse with ordering information.

Model	Number Round	Cartridge Length	Standard Inlet/Outlet	Drain with Plug	Vent with Plug	Max Cartridge Diameter	Standard Gasket	Mounting Legs	Universal Cartridge Seal	Estimated Ship Weight	Shipping Box Dimensions (inches)
CIH41	4	9 ¾" to 10"	2" MPT	½" FPT	¼" FPT	2 ¾"	EP	Yes	Yes	26 lbs	13x13x23
CIH42	4	19 ½" to 20"	2" MPT	½" FPT	¼" FPT	2 ¾"	EP	Yes	Yes	32 lbs	13x13x33
CIH43	4	29 ¼" to 30"	2" MPT	½" FPT	¼" FPT	2 ¾"	EP	Yes	Yes	39 lbs	13x13x43
CIH44	4	39" to 40"	2" MPT	½" FPT	¼" FPT	2 ¾"	EP	Yes	Yes	46 lbs	13x13x53
CIH51	5	9 ¾" to 10"	2" MPT	½" FPT	¼" FPT	2 ¾"	EP	Yes	Yes	27 lbs	13x13x23
CIH52	5	19 ½" to 20"	2" MPT	½" FPT	¼" FPT	2 ¾"	EP	Yes	Yes	33 lbs	13x13x33
CIH53	5	29 ¼" to 30"	2" MPT	½" FPT	¼" FPT	2 ¾"	EP	Yes	Yes	40 lbs	13x13x43
CIH54	5	39" to 40"	2" MPT	½" FPT	¼" FPT	2 ¾"	EP	Yes	Yes	47 lbs	13x13x53

## Dimensions

For planning purposes. Complete and detailed line drawings are available upon request. Please contact Critical Process Filtration with the model number for the appropriate drawing.

Model	A	B	C	D
CIH41, CIH51	22"	7"	3"	10 1/2"
CIH42, CIH52	32"			
CIH43, CIH53	42"			
CIH44, CIH54	52"			

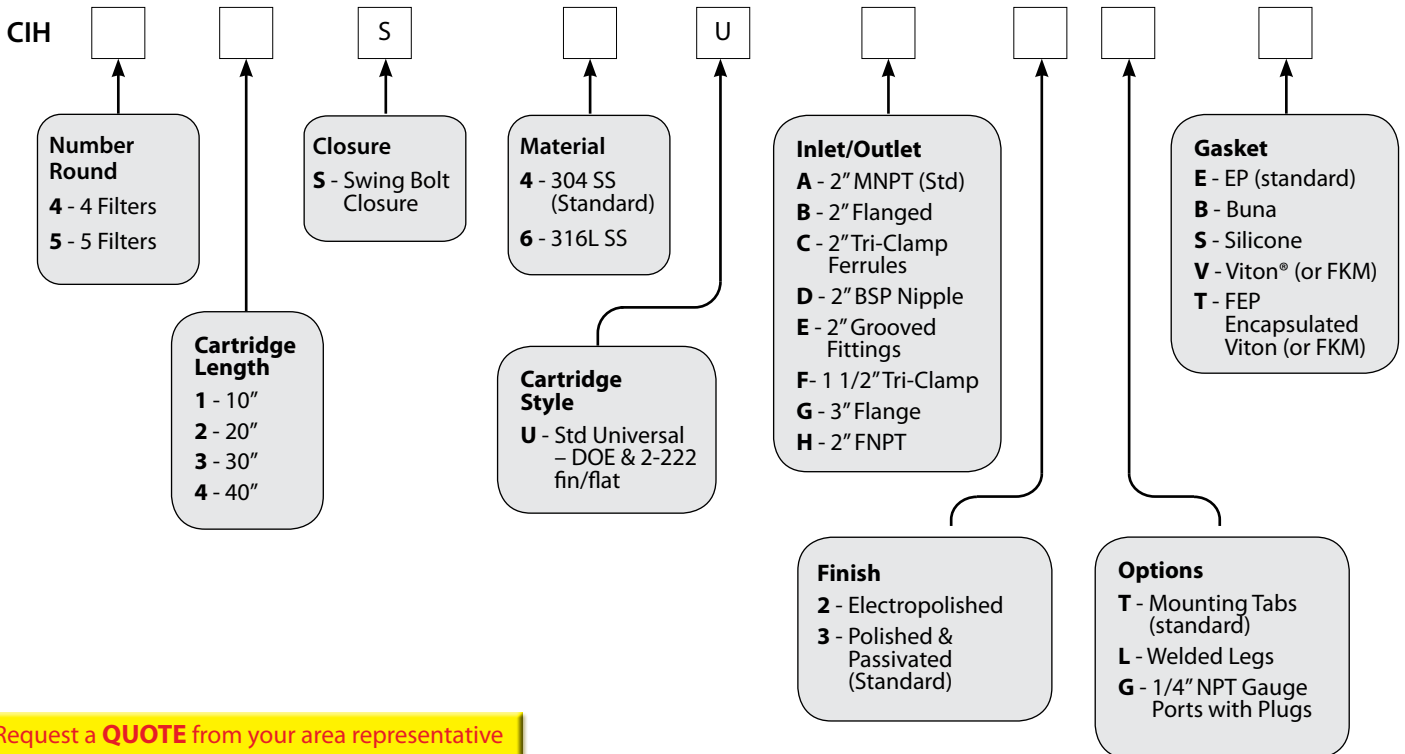
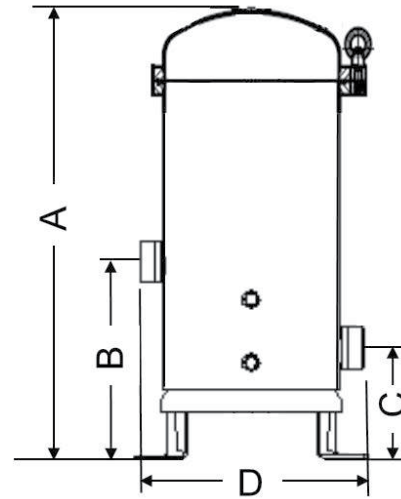
Note - Height values do not include standard mounting tabs or optional legs.

## We Do It Right the First Time

We solve filtration challenges where filters are a critical part of your manufacturing process. Our Technical Team works with you to engineer filtration solutions that fit your needs. Then we manufacture the filters in our ISO 9001 certified facility and deliver them fast, so you have the right filters when you need them.

## Ordering Information

The housing catalog number is made up of several variable characters i.e. number round, length, material, port size, gasket material and others below. For example: Industrial Filter Housing, 5-Round, for 30" Filter Cartridge Length, Swing Bolt Closure, 304 SS Construction, Universal Filter Connections, 2" MNPT Inlet/Outlet, Polished & Passivated Finish, with Mounting Tabs and EP Gasket = CIH53S4UA3TE.



Request a **QUOTE** from your area representative



### Critical Process Filtration, Inc.

One Chestnut Street • Nashua, NH 03060  
Tel: 603.880.4420 • Fax: 603.880.4536

[criticalprocess.com](http://criticalprocess.com) • [sales@criticalprocess.com](mailto:sales@criticalprocess.com)

The information contained herein is subject to change without notice.

The Critical Process Filtration logo is a trademark of Critical Process Filtration, Inc.

Viton is a trademark of DuPont Performance Elastomers L.L.C.

© 1998-2018 Critical Process Filtration, Inc. • All Rights Reserved • Data Sheet CIH4-5DS0112 RevA

This data is subject to change without notice. For the most current information, please visit our website.