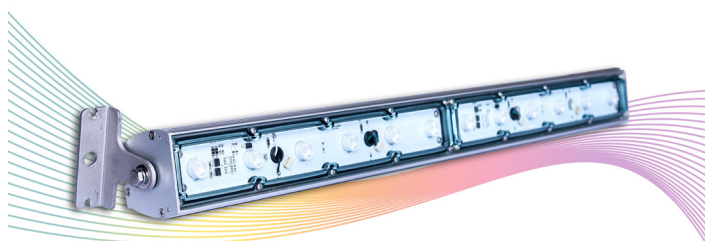




SPECIFICATION SHEET LL(S)-SERIES-RGB

LLS SERIES RGB – LINEAR LIGHT BARS

These high-lumen output linear bars are for indoor and outdoor wall-wash as well as accent lighting applications; available in 1, 2, 3 and 4 foot lengths.



DESCRIPTION

- The RGB 3 color process delivers smooth and saturated color renderings for all applications
- A light, compact and heat dissipating aluminum extrusion design
- High Quality waterproof design and construction
- Modular LED board design offers quick and easy maintenance
- Top cover manufactured with superior grade plastic prevents yellowing and brittleness over time

PRODUCT CODES

2 Feet	
LLS-2F-RGB-25D	Wall Washer 24V, 30W, RGB , 25D, 2 FEET, IP67
LLS-2F-RGB-40D	Wall Washer 24V, 30W, RGB , 40D, 2 FEET, IP67
LLS-2F-RGB-60D	Wall Washer 24V, 30W, RGB , 60D, 2 FEET, IP67
4 Feet	
LLS-4F-RGB-25D	Wall Washer 24V, 60W, RGB , 25D, 4 FEET, IP67
LLS-4F-RGB-40D	Wall Washer 24V, 60W, RGB , 40D, 4 FEET, IP67
LLS-4F-RGB-60D	Wall Washer 24V, 60W, RGB , 60D, 4 FEET, IP67



SPECIFICATIONS

MODEL	Power Consumption	Power Requirement	Color Temp	Luminous Flux (Lm)	Efficiency (Lm/W)	LEDS	IP Rating	Beam Angle
LLS-2F	30W	24VDC 1.25A	R:620nm G:520nm B:460nm	R:308 G:504 B:126 ALL 938	31	Prolight 3535 LED Rx6/Gx6/Bx6	IP 67	25° 40° 60° 25° 40° 60°
LLS-4F	60W	24VDC 2.5A	R:620nm G:520nm B:460nm	R:616 G:1008 B:252 All 1876	31	Prolight 3535 LED Rx12/Gx12 /Bx12	IP 67	25° 40° 60° 25° 40° 60°

Fixture Warranty: 3 Years

*Installation and usage of this product outside of normal operation conditions and installation guide lines void warranty.

DRIVER

Compatible Driver	CBNA SR-2108A-M5-5, DRV-SRPC2108-24-200CVF
DMX Cable Connector	20AWG x 4C Cable end with bare wire / 2M

www.colorbeamlighting.com

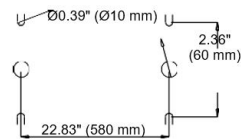
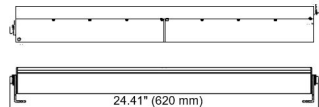
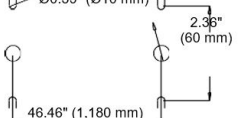

SPECIFICATIONS

ENVIROMENT	
Temperature	-10°C ~ 40°C
HOUSING	
Color	Silver
Lens	Optical Grade PMMA
Material	Premium Grade Aluminum, Weatherproof PC (UV-resistant)
Accessories	Hanging bracket

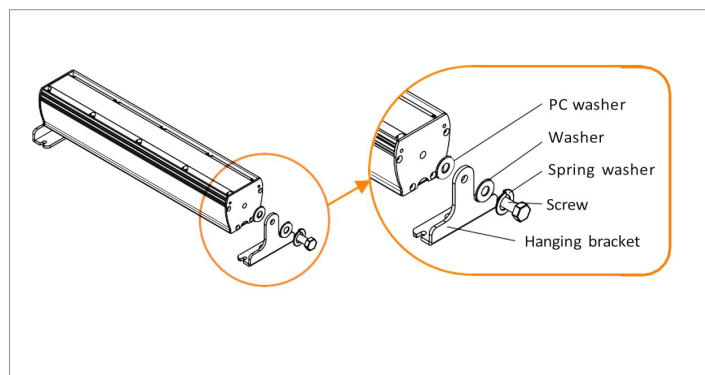
Remark:

Based on LED manufacturers testing, MTBF (mean time between failure) under normal operating conditions is set at 100,000 hours. Normal operating conditions include but are not limited to: ambient temperature range of -4 to 104 degrees F (-20 to 40 degrees C) humidity range of 0-95% non-condensing, adequate ventilation and air flow.

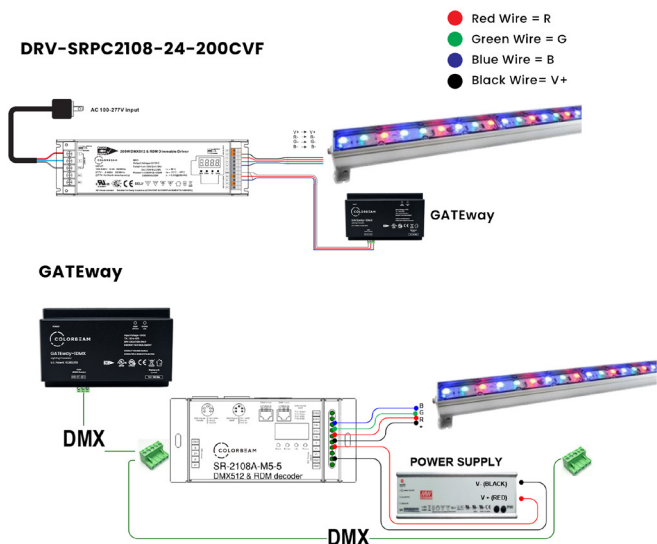
DIMENSIONS

LIGHT	INSTALLATION	DIMENSION
LLS2 (600mm) 30W	R0.04" (R1.1 mm) 	 Weight 1150 g
LLS4 (1200mm) 60W	R0.04" (R1.1 mm) 	 Weight 2100 g

INSTALLATION



WIRING CONFIGURATION



OPERATING SAFEGUARDS

1. These are powerful light fixtures. Do not look directly at the light for any extended period of time. Do not shine the light in other people's direction.
2. Contact an authorized Colorbeam Lighting dealer for warranty and maintenance issues.
3. Do not cover the light fixture with other objects
4. Do not expose light fixtures to open flames or external heat sources
5. Use under normal heat and humidity operating ranges as indicated in section "Specifications"

INSTALLATION WARNINGS

1. Do not install any lights that appear to have been damaged during shipping.
2. This product should be installed by a qualified Colorbeam Lighting certified dealer.
3. Do not install the light fixture less than 20cm away from any flammable material.
4. Install lights in a well ventilated area. Do not install light fixture surrounded by any insulation materials.
5. Use only specified Colorbeam Lighting drivers to power the light fixtures.

