



DL Dimmable Lighting
0 to 100% flicker free dimming



TL Tunable Lighting



RGB RGB



Working Temperature



5 Year Limited Warranty



SPECIFICATION

Power	9 Watts
Color Temperature	RGB
Total Luminous Flux	At full 255/255/255: 254 Lumens
LED CRI	RGB not applicable
Beam Angle	40D
LED	COB
LM Rating	LM-80
Bulb Dimension	2.99" x Ø 1.96"
Certifications	cULus E476753
Compatible Driver	DRV-D-200-Z4 DMX Power Driver (cULus E478463) DMX-SR2112 /DMX Driver, 12 channels, 200-350mA
Power Supply	PS-SR2112-96 /Power supply 96W (Only If Use DMX-SR2112)
Working Temperature	-30C to 60C
IP Grade	IP20 Standard (Special order IP65)
Life Span	50,000 Hours
Warranty	5 Year Limited Warranty

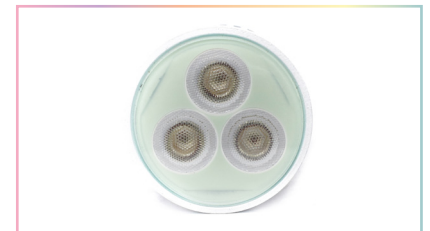
9W-RGB-W-40



9W-RGB-B-40



9W-RGB-W-40-IP65



9W-RGB-B-40-IP65

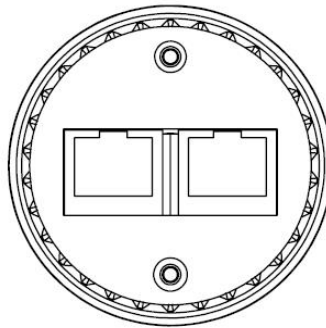


9W LED FIXTURE

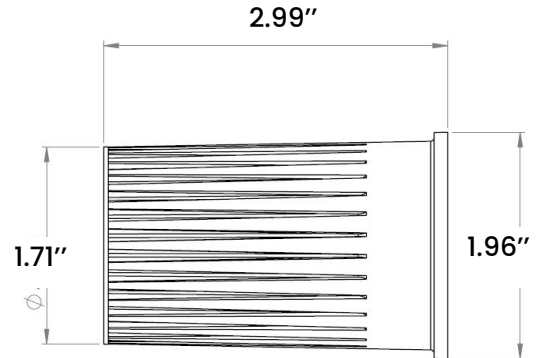
Front



Back



Measure



COLOR VARIATION TEST: 9W

IES file: S1603232-R1

Candela Tables: S1603232-R2

9 WATTS		COLOR VARIATION TESTS								
TEST No.	R/G/B/	REPORT #	X	Y	TRUE CCT	TARGET CCT	ANSI TOLERANCE CCT	LUMENS	WATTS	EFFICACY
1	N/A	N/A	N/A	N/A	N/A	1800	N/A	N/A	N/A	N/A
2	N/A	N/A	N/A	N/A	N/A	2200	N/A	N/A	N/A	N/A
3	255/178/010	L1604298	0.4589	0.4178	2769	2700	2725 ± 145	189	14.59	13.0
4	242/180/014	L1604297	0.4400	0.4083	2983	3000	3045 ± 175	182	14.51	12.50
5	245/203/022	L1604296	0.4099	0.3963	3447	3500	3465 ± 245	207	15.00	13.50
6	251/235/033	L1604279	0.3758	0.3806	4155	4000	3985 ± 275	230	15.65	14.70
7	255/237/042	L1604295	0.3575	0.3574	4575	4500	4503 ± 243	230	15.83	14.60
8	251/251/047	L1604278	0.3486	0.3547	4880	5000	5028 ± 283	242	16.07	15.10
9	239/255/057	L1604275	0.3304	0.3370	5591	5700	5665 ± 510	247	16.17	15.30
10	187/209/057	L1604274	0.3138	0.3166	6542	6500	6530 ± 510	204	17.93	13.60

Colometric Reports 9W-40D / Consult folder Colorimetric Reports

Files: L1603315-C1, L1604274-C-1, L1604275-C1, L1604278-C1, L1604279-C1, L2604297-C1

From 0%-100%, no Flicker as per industry standard

Consult folder **Flicker Reports Files:** R1604221-R1

9W 40 DEG SPECIFICATIONS

Photometric 9W-40 Degrees

Photometric Report: S1603232-R1

Prepared for: Colorbeam · Test Date: 23 March 2016

Floodlight: CBNA · Lumcat: CBNA 9W 40D

Downlight Beam

Distance (feet)	FootCandles at Edge Beam		FootCandles at Center Beam	Field Width	
	H	V		H	V
6.0ft	5.7 fc	5.6 fc	13.5 fc	4.1ft	4.2ft
8.0ft	3.2 fc	3.2 fc	7.6 fc	5.5ft	5.7ft
10.0ft	2.0 fc	2.0 fc	4.9 fc	6.9ft	7.1ft
12.0ft	1.4 fc	1.4 fc	3.4 fc	8.3ft	8.5ft
14.0ft	1.0 fc	1.0 fc	2.5 fc	9.6ft	9.9ft
16.0ft	0.8 fc	0.8 fc	1.9 fc	11.0ft	11.3ft
18.0ft	0.6 fc	0.6 fc	1.5 fc	12.4ft	12.7ft
20.0ft	0.5 fc	0.5 fc	1.2 fc	13.8ft	14.2ft

— Horizontal (38.0°) — Vertical (39.0°)



9W 40 DEG SPECIFICATIONS

Photometric 9W-40 Degrees

Photometric Report: S1603232-R1

Prepared for: Colorbeam · Test Date: 23 March 2016

Floodlight: CBNA · Lumcat: CBNA 9W 40D

Uplight Beam

Distance (feet)	FootCandles at Edge Beam		FootCandles at Center Beam	Field Width	
	H	V		H	V
20.0ft	0.5 fc	0.5 fc	1.2 fc	13.8ft	14.2ft
18.0ft	0.6 fc	0.6 fc	1.5 fc	12.4ft	12.7ft
16.0ft	0.8 fc	0.8 fc	1.9 fc	11.0ft	11.3ft
14.0ft	1.0 fc	1.0 fc	2.5 fc	9.6ft	9.9ft
12.0ft	1.4 fc	1.4 fc	3.4 fc	8.3ft	8.5ft
10.0ft	2.0 fc	2.0 fc	4.9 fc	6.9ft	7.1ft
8.0ft	3.2 fc	3.2 fc	7.6 fc	5.5ft	5.7ft
6.0ft	5.7 fc	5.6 fc	13.5 fc	4.1ft	4.2ft

— Horizontal (38.0 °) — Vertical (39.0 °)

www.colorbeamlighting.com