



TRENTON SYSTEMS®

Engineered For Reliability

Silver/Gold

Xeon® CPUs

18.25in
shallow depth

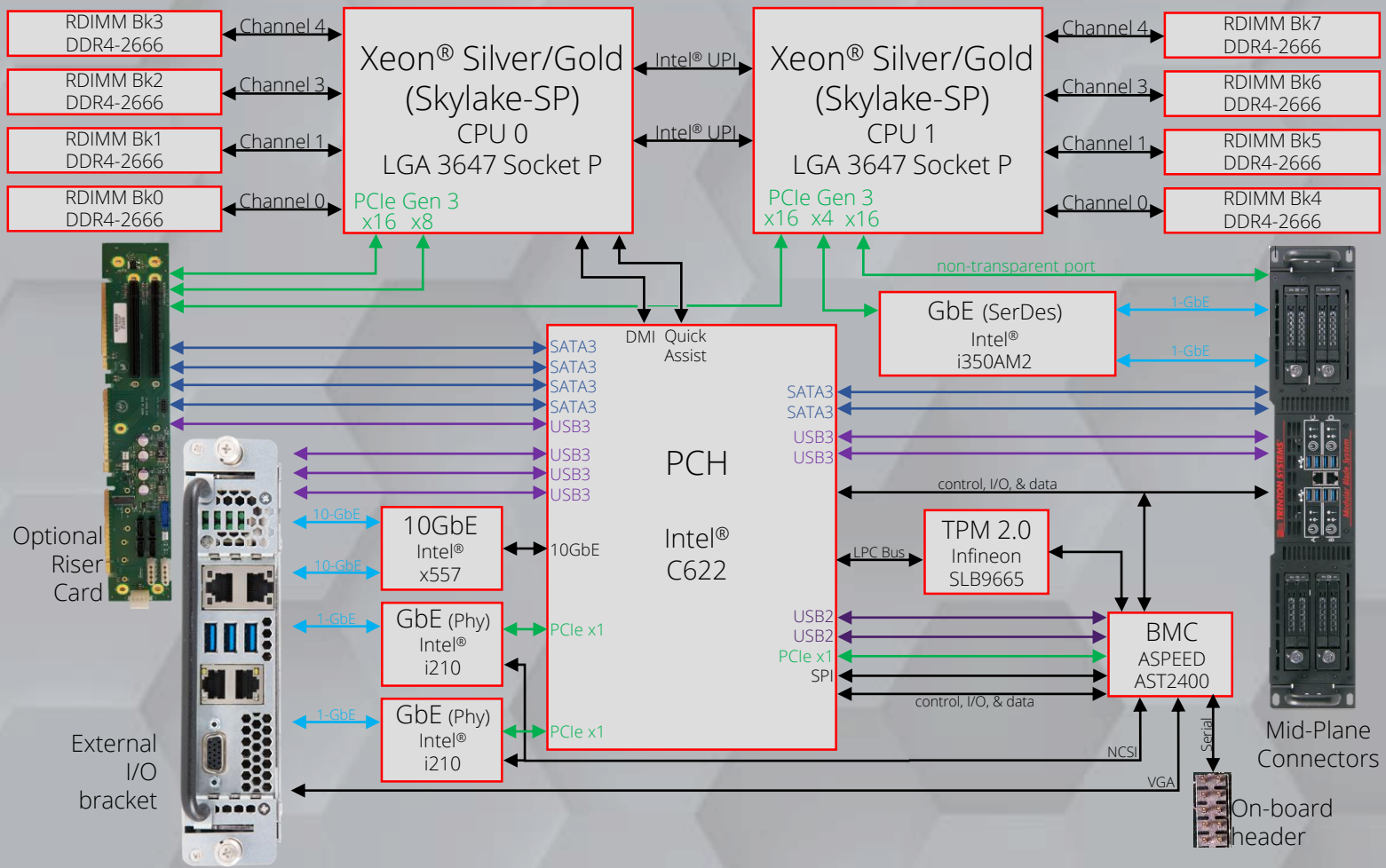
6.3lbs
weight

10GbE
Ethernet



MSL8256

Processor	Intel® Xeon® Silver 4100, Gold 5100, and Gold 6100 Series 2.0GHz – 3.4GHz LGA3647, Socket P
Memory	Eight DDR4-2666 1024GB max (8x128GB) ECC, registered
Connections	Rear I/O: VGA, 2-10GbE, 2-1GbE (IPMI), 3-USB3.0 Front: 2-USB3.0 Optional: 2-x16 PCIe gen 3
Storage	Front: 2-SATA3.0 Optional: Up to 4 M.2



Processor Options:

Intel® Xeon®	Cores	CPU Speed	Mem Speed	Max Stress Temp
Gold 6138	20	2.0GHz	DDR4-2666	tbd°C
Gold 6130	16	2.1GHz	DDR4-2666	tbd°C
Gold 5120T	14	2.2GHz	DDR4-2400	tbd°C
Gold 6126T	12	2.6GHz	DDR4-2666	tbd°C
Silver 4109T	8	2.0GHz	DDR4-2400	tbd°C
Gold 6128	6	3.4GHz	DDR4-2666	tbd°C

Memory
Eight channel DDR4
1024GB max (8x128GB)
ECC, registered

Optional Riser	
RCM40 8262 (2U height)	2-x16 Gen3 2-M.2
RCM42 8269 (1U height)	4-M.2

Application Considerations	
Trusted Platform Module (TPM) 2.0	
RAID	0, 1, 5, 10
Storage Temp	-40° to 70°C
Humidity	5%-90% non-condensing
Agency Approvals	CE, UL, FCC

More CPU Options: www.TrentonSystems.com/processor-boards/msl8256

IPMI (System Management)
Intelligent Platform Management Interface (IPMI) v2.0 rev 1.1
Remote KVM, fan speed ctrl, voltage monitoring, fault sensing

MBS1002
 19" depth
 2-PCIe x16 slots
 2-Front Access 2.5" drives
 1200W P/S



MBS2000
 19" depth
 Up to 4 segments
 1200W redundant P/S



100% US Design & Assembly

27+ Years in Business

7+ Year Product Life Cycle

5 Year Warranty



IoT Solutions Alliance