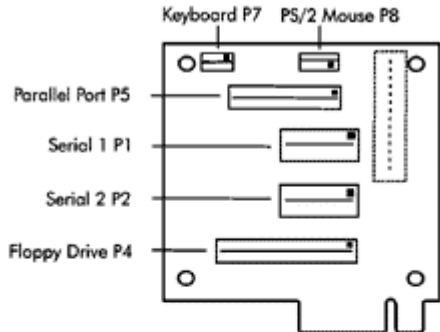




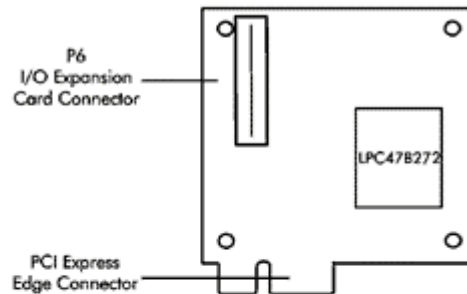
Technical Information – Jumpers, Connectors and Memory IOB31 (6474-xxx) IO and PCI Express Expansion Board

Layout Diagram

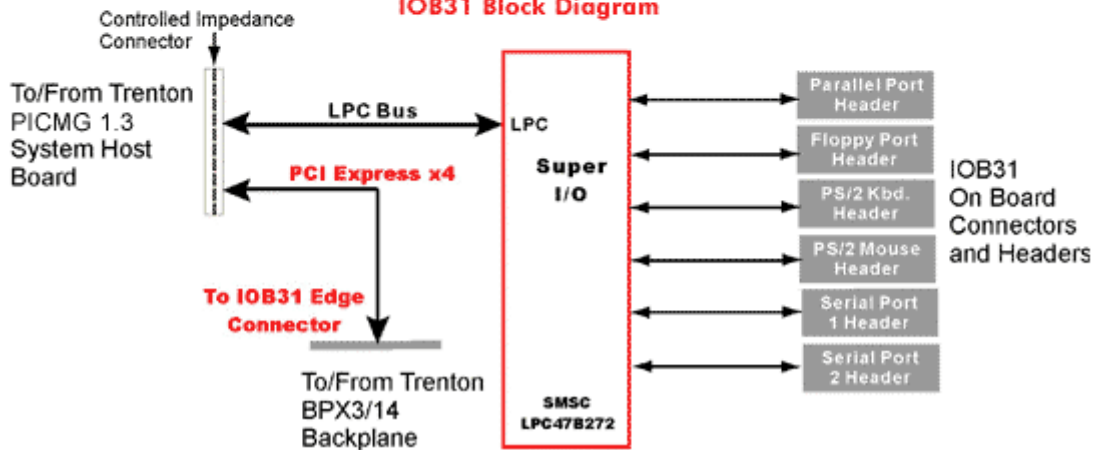
IOB31 Front View



IOB31 Back View



IOB31 Block Diagram



Connectors

NOTE:

Pin 1 on the connectors is indicated by the square pad on the PCB.

P6 - I/O Expansion Mezzanine Card Connector

76 pin controlled impedance connector, Samtec #MIS-038-01-FD-K

P1 - SERIAL PORT 1 CONNECTOR (COM 1)

10 pin dual row header, Amp #103308-1

PIN	SIGNAL	PIN	SIGNAL
1	Carrier Detect	2	Data Set Ready-I
3	Receive Data-I	4	Request to Send-O
5	Transmit Data-0	6	Clear to Send-I
7	Data Terminal Ready-0	8	Ring Indicator-I
9	Signal Gnd	10	NC

PIN	SIGNAL	PIN	SIGNAL
1	+12V	2	+5V_STANDBY
3	NC	4	+5V_STANDBY
5	NC	6	+5V_DUAL
7	NC	8	+5V_DUAL
9	NC	10	NC
11	NC	12	NC
13	ICH_SMI#	14	ICH_RCIN#



9 Signal Gnd 13 ICH_SMI# 16 ICH_A20GATE

15 ICH_SIOPME# 18 Gnd

17 Gnd 20 L_AD3

19 L_FRAME# 22 L_AD2

21 L_DRQ1# 24 L_AD1

23 L_DRQ0# 26 L_AD0

25 SERIRQ 28 Gnd

27 Gnd 30 PCLK33LPC

29 PCLK14SIO 32 Gnd

31 Gnd 34 IPMB_DAT

33 SMBDATA_RESUME 36 IPMB_CLK

35 SMBCLK_RESUME 38 IPMB_ALRT#

37 SALRT#_RESUME 40 Gnd

39 Gnd 42 EXP_RESET#

41 EXP_CLK100 44 ICH_WAKE#

43 EXP_CLK100# 46 Gnd

45 Gnd 48 C_PE_RXP4

47 C_PE_TXP4 50 C_PE_RXN4

49 C_PE_TXN4 52 Gnd

51 Gnd 54 C_PE_RXP3

53 C_PE_TXP3 56 C_PE_RXN3

55 C_PE_TXN3 58 Gnd

57 Gnd 60 C_PE_RXP2

59 C_PE_TXP2 62 C_PE_RXN2

61 C_PE_TXN2 64 Gnd

63 Gnd 66 C_PE_RXP1

65 C_PE_TXP1 68 C_PE_RXN1

67 C_PE_TXN1 70 Gnd

69 Gnd 72 +5V

71 +3.3V 74 +5V

73 +3.3V 76 +5V

75 +3.3V

Connectors (Continued)

P2 - SERIAL PORT 2 CONNECTOR (COM 2)

10 pin dual row header, Amp #103308-1

PIN	SIGNAL	PIN	SIGNAL
1	Carrier Detect	2	Data Set Ready-I
3	Receive Data-I	4	Request to Send-O
5	Transmit Data-O	6	Clear to Send-I
7	Data Terminal Ready-0	8	Ring Indicator-I
9	Signal Gnd	10	NC

P4 - FLOPPY DRIVE CONNECTOR

34 pin dual row header, Amp #103308-7

PIN	SIGNAL	PIN	SIGNAL
1	Gnd	2	N-RPM
3	Gnd	4	NC
5	Gnd	6	D-Rate0
7	Gnd	8	P-Index
9	Gnd	10	N-Motoron 1
11	Gnd	12	N-Drive Sel2
13	Gnd	14	N-Drive Sel1
15	Gnd	16	N-Motoron 2
17	Gnd	18	N-Dir
19	Gnd	20	N-Stop Step
21	Gnd	22	N-Write Data
23	Gnd	24	N-Write Gate
25	Gnd	26	P-Track 0
27	Gnd	28	P-Write Protect
29	Gnd	30	N-Read Data
31	Gnd	32	N-Side Select
33	Gnd	34	Disk Chng

P7 - KEYBOARD HEADER



Connectors (Continued)

P5 - PARALLEL PORT CONNECTOR

26 pin dual row header, Amp #103308-6

PIN	SIGNAL	PIN	SIGNAL
1	Strobe	2	Auto Feed XT
3	Data Bit 0	4	Error
5	Data Bit 1	6	Init
7	Data Bit 2	8	Slct In
9	Data Bit 3	10	Gnd
11	Data Bit 4	12	Gnd
13	Data Bit 5	14	Gnd
15	Data Bit 6	16	Gnd
17	Data Bit 7	18	Gnd
19	ACK	20	Gnd
21	Busy	22	Gnd
23	Paper End	24	Gnd
25	Slct	26	NC

5 pin single row header, Amp #640456-5

PIN	SIGNAL
1	Kbd Clock
2	Kbd Data
3	Key
4	Kbd Gnd
5	Kbd Power (+5V fused) with self-resetting fuse

P8 - PS/2 MOUSE HEADER

6 pin single row header, Amp #640456-6

PIN	SIGNAL
1	Ms Data
2	Reserved
3	Gnd
4	Power (+5V fused) with self-resetting fuse
5	Ms Clock
6	Reserved