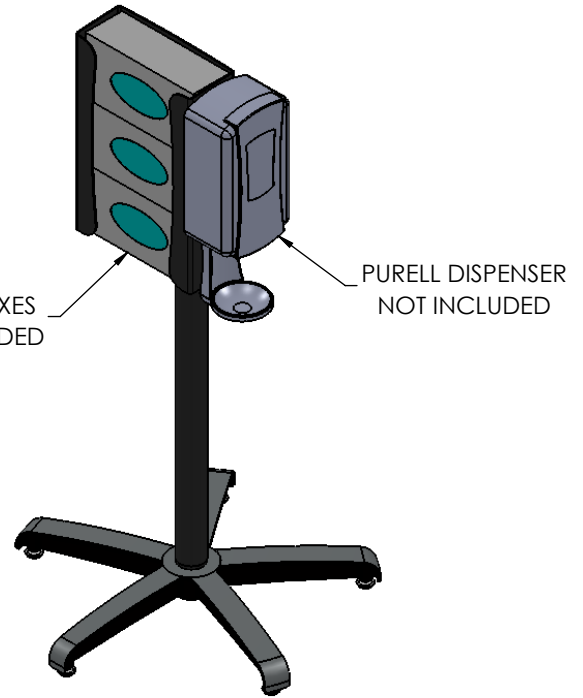
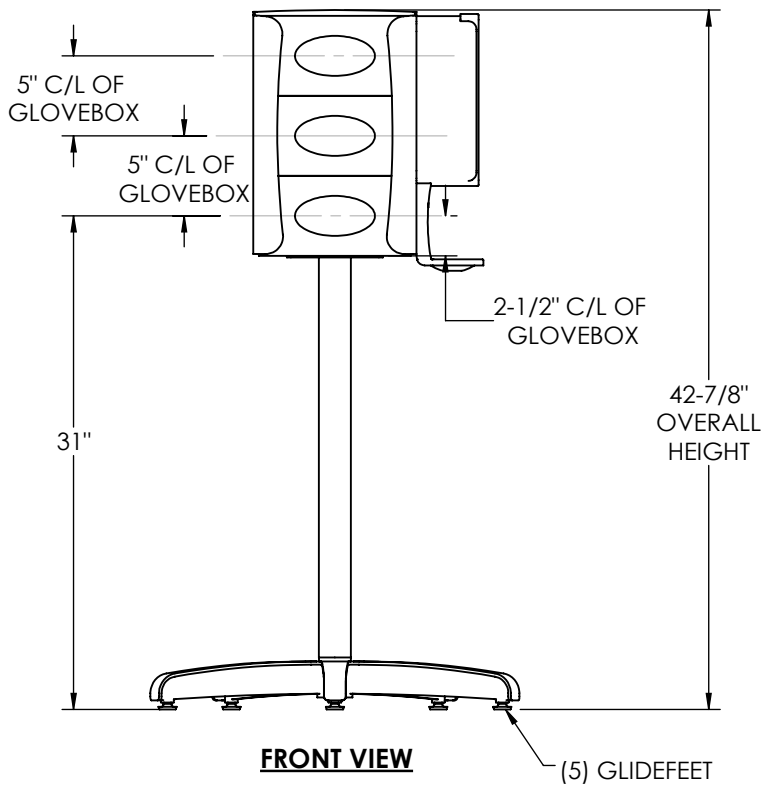


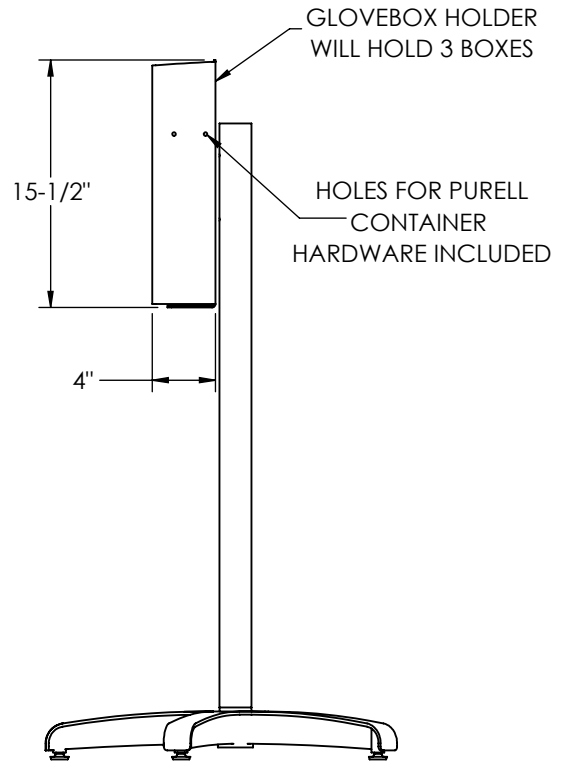
TOP VIEW



ISOMETRIC VIEW



FRONT VIEW



SIDE VIEW

PROPRIETARY AND CONFIDENTIAL

THE INFORMATION CONTAINED IN THIS DRAWING IS THE SOLE PROPERTY OF FIRST HEALTHCARE PRODUCTS. ANY REPRODUCTION IN PART OR AS A WHOLE WITHOUT THE WRITTEN PERMISSION OF FIRST HEALTHCARE PRODUCTS IS PROHIBITED.



FIRST HEALTHCARE PRODUCTS, INC.
6125 Lendell Drive
Sanborn NY 14132-9199
PH: 800-542-7225 FAX: 800-542-7225

DESCRIPTION:

Hold-it Infection Prevention Stand: Glide

SIZE A	CART NO. GB100	REV -
WEIGHT: 25 LBS.		SHEET 1 OF 1