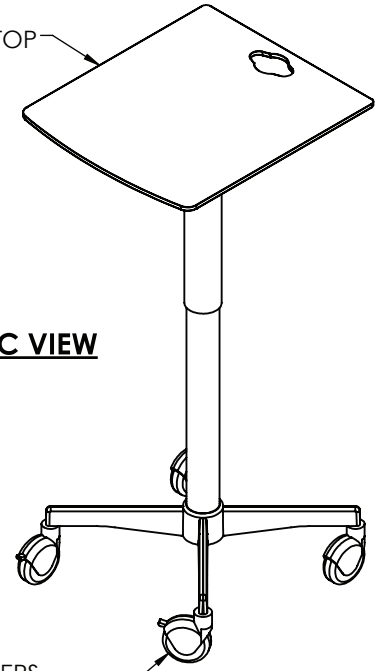


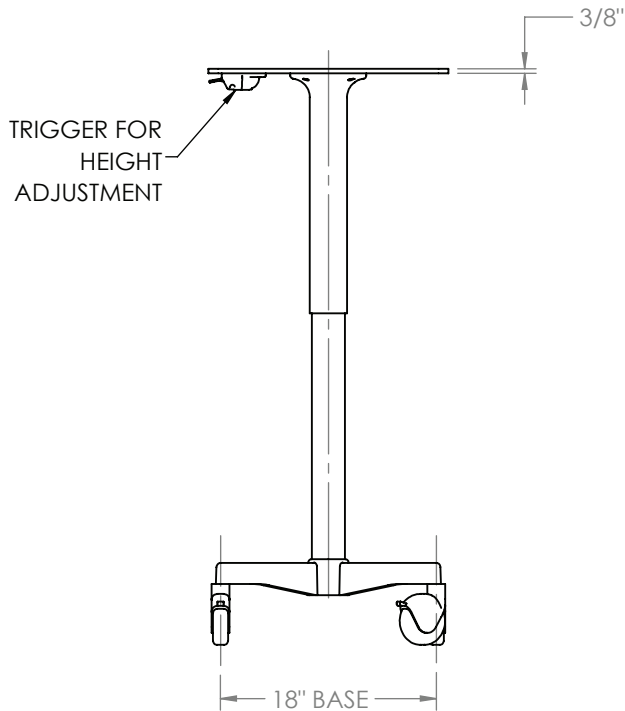
TOP VIEW

ALUMINUM GRAY TOP

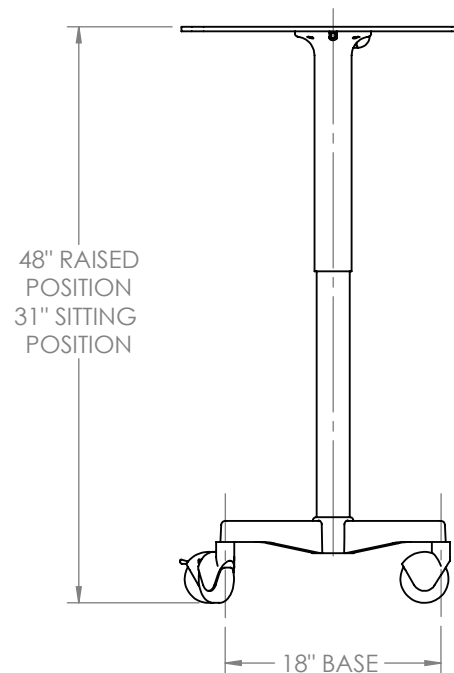


ISOMETRIC VIEW

(2) Ø 4" CASTERS
(2) Ø 4" LOCKING CASTERS



FRONT VIEW



SIDE VIEW

PROPRIETARY AND CONFIDENTIAL

THE INFORMATION CONTAINED IN THIS DRAWING IS THE SOLE PROPERTY OF FIRST HEALTHCARE PRODUCTS. ANY REPRODUCTION IN PART OR AS A WHOLE WITHOUT THE WRITTEN PERMISSION OF FIRST HEALTHCARE PRODUCTS IS PROHIBITED.



DESCRIPTION:

Mov-it Device Cart: Aluminum

SIZE A	CART NO. 05A81C04CB15F	REV -
------------------	----------------------------------	----------

WEIGHT: 38 LBS.

SHEET 1 OF 1