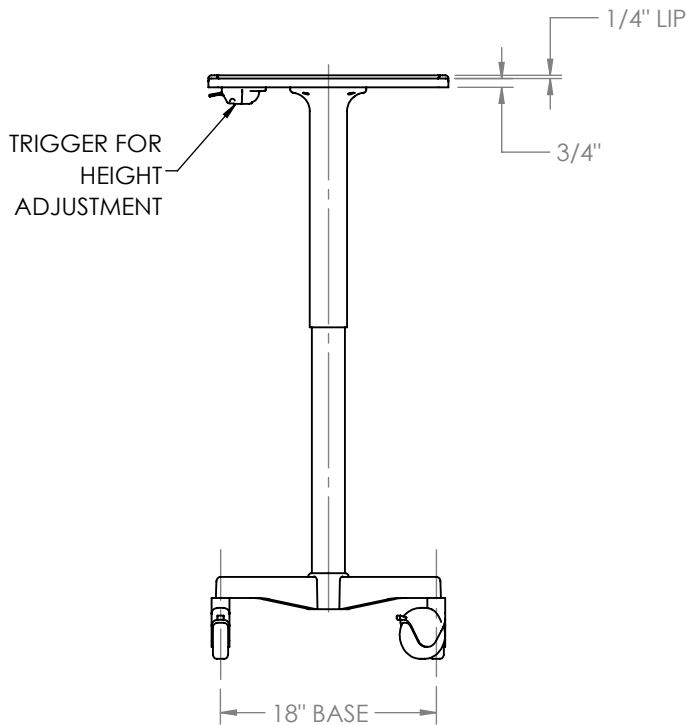
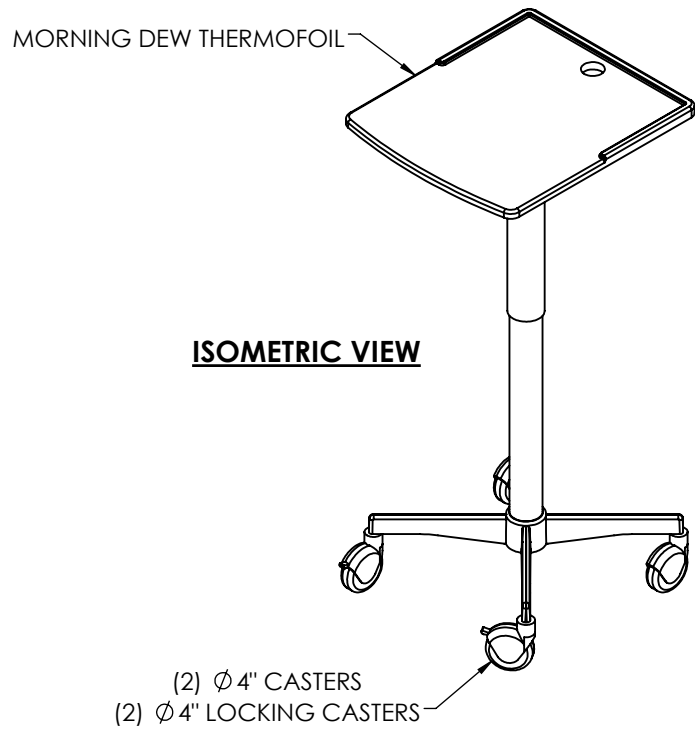
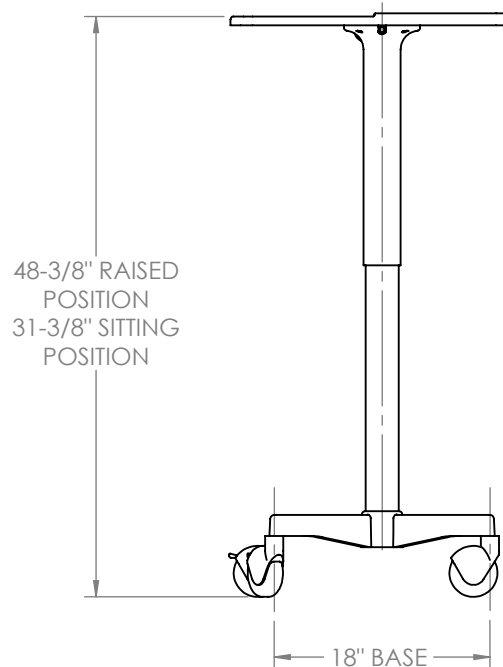


**TOP VIEW**



**FRONT VIEW**



**SIDE VIEW**

**PROPRIETARY AND CONFIDENTIAL**

THE INFORMATION CONTAINED IN THIS DRAWING IS THE SOLE PROPERTY OF FIRST HEALTHCARE PRODUCTS. ANY REPRODUCTION IN PART OR AS A WHOLE WITHOUT THE WRITTEN PERMISSION OF FIRST HEALTHCARE PRODUCTS IS PROHIBITED.



FIRST HEALTHCARE PRODUCTS, INC.  
6125 Lendell Drive  
Sanborn NY 14132-9199  
PH: 800-542-7225 FAX: 800-542-7225

**DESCRIPTION:**

**Mov-it Device Cart: Thermofoil (Morning Dew) with Spill Guard Edge**

SIZE  
**A**

CART NO.

**CC01T4150-L-06**

REV  
-

WEIGHT: 32 LBS.

SHEET 1 OF 1