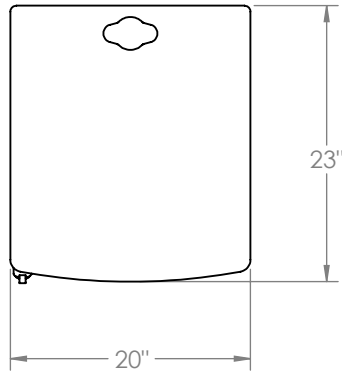
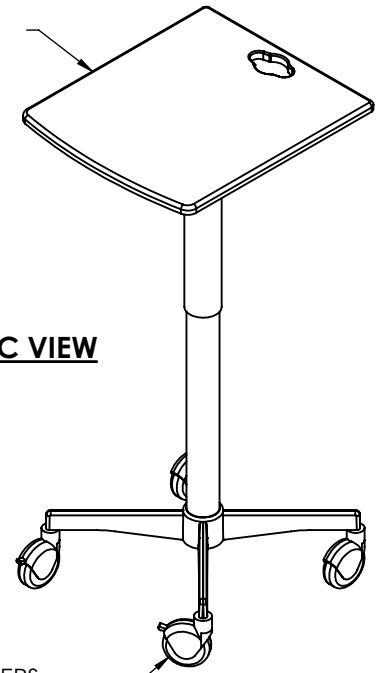


THERMOFOIL MAPLE

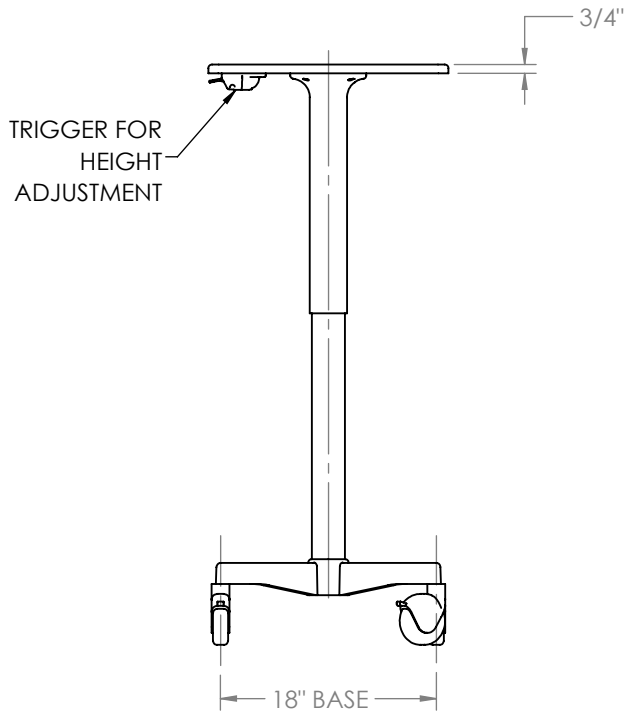


TOP VIEW

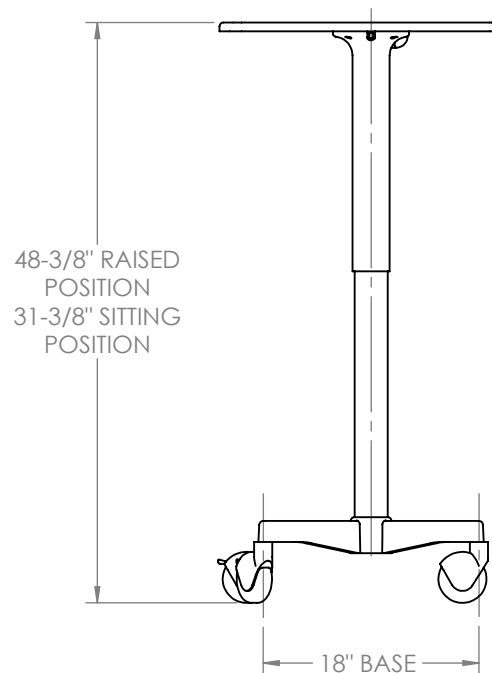
ISOMETRIC VIEW



(2) ϕ 4" CASTERS
(2) ϕ 4" LOCKING CASTERS



FRONT VIEW



SIDE VIEW

PROPRIETARY AND CONFIDENTIAL

THE INFORMATION CONTAINED IN THIS DRAWING IS THE SOLE PROPERTY OF FIRST HEALTHCARE PRODUCTS. ANY REPRODUCTION IN PART OR AS A WHOLE WITHOUT THE WRITTEN PERMISSION OF FIRST HEALTHCARE PRODUCTS IS PROHIBITED.



FIRST HEALTHCARE PRODUCTS, INC.
6125 Lendell Drive
Sanborn NY 14132-9199
PH: 800-542-7225 FAX: 800-542-7225

DESCRIPTION:

Mov-it Device Cart: Thermofoil (Maple)

SIZE A	CART NO. CC01T4150	REV -
------------------	------------------------------	-----------------

WEIGHT: 32 LBS.

SHEET 1 OF 1