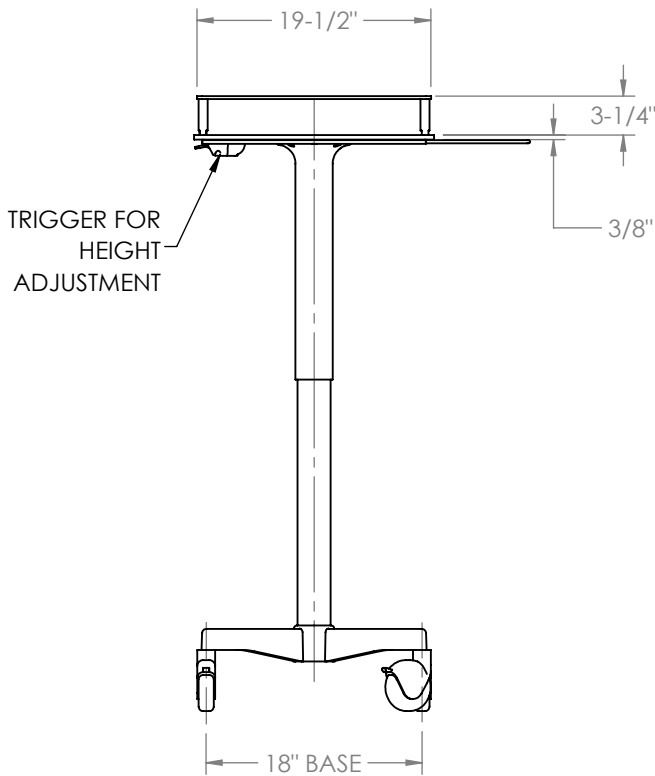
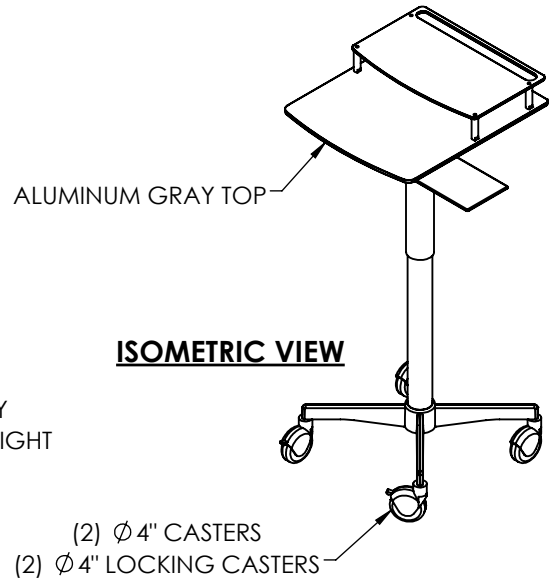
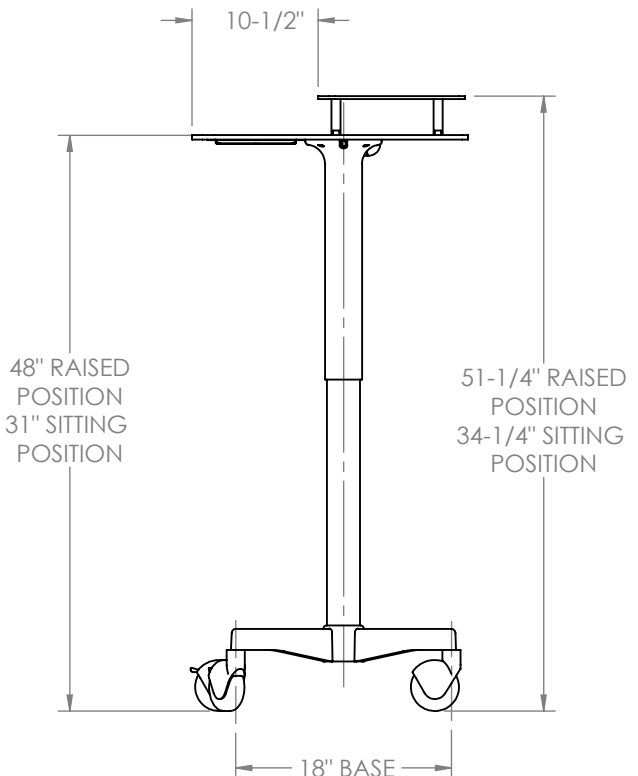


**TOP VIEW**



**FRONT VIEW**



**SIDE VIEW**

**PROPRIETARY AND CONFIDENTIAL**

THE INFORMATION CONTAINED IN THIS DRAWING IS THE SOLE PROPERTY OF FIRST HEALTHCARE PRODUCTS. ANY REPRODUCTION IN PART OR AS A WHOLE WITHOUT THE WRITTEN PERMISSION OF FIRST HEALTHCARE PRODUCTS IS PROHIBITED.



DESCRIPTION:  
**Mov-it Laptop Cart: Aluminum**

SIZE <b>A</b>	CART NO. <b>CC04A4150</b>	REV -
WEIGHT: 49 LBS.		SHEET 1 OF 1