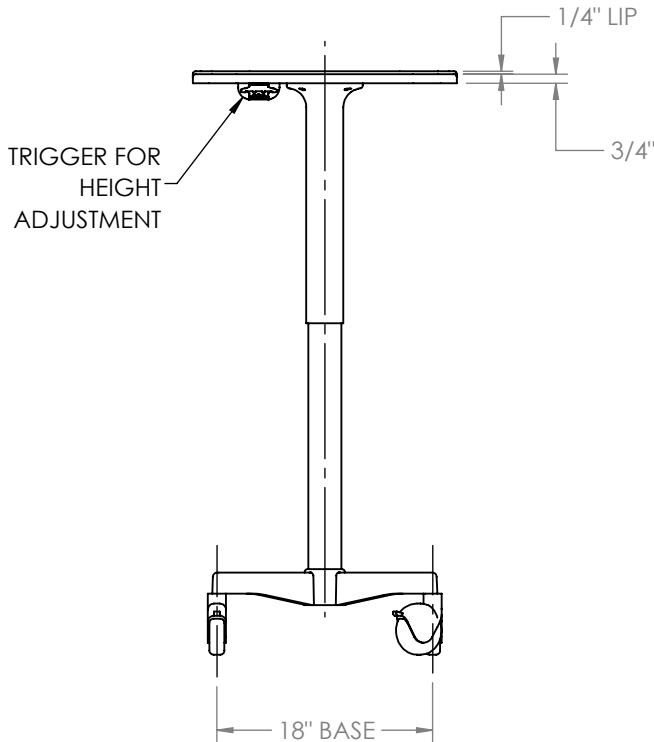
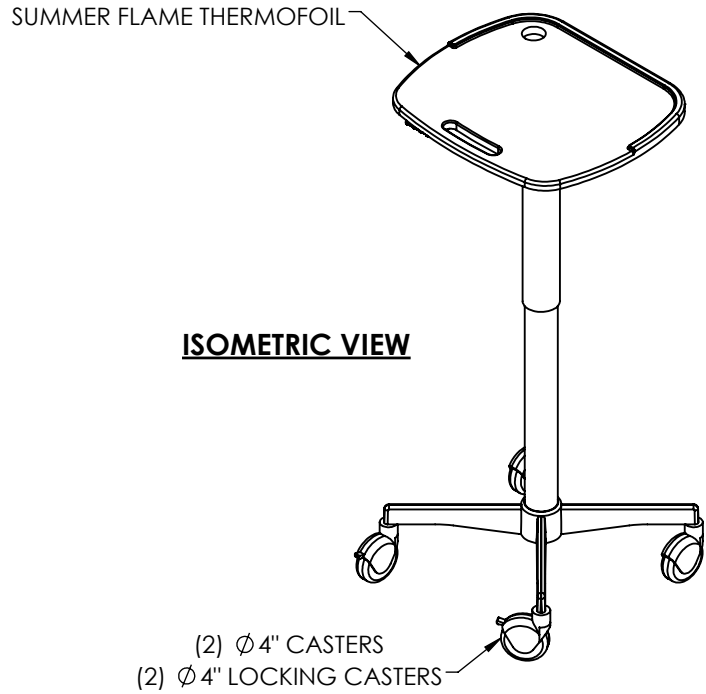
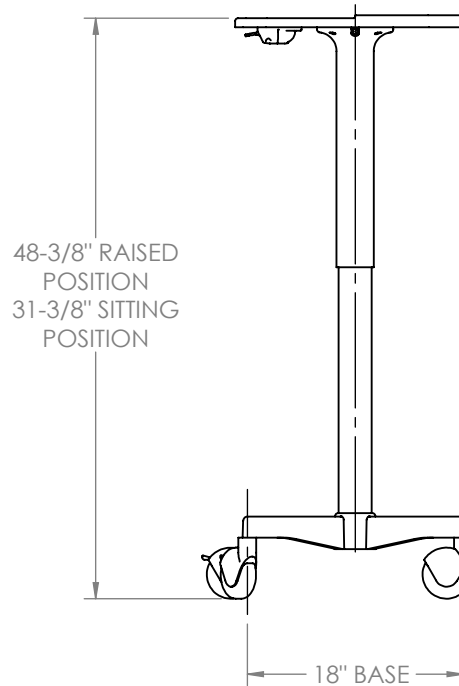


TOP VIEW



FRONT VIEW



SIDE VIEW

PROPRIETARY AND CONFIDENTIAL

THE INFORMATION CONTAINED IN THIS DRAWING IS THE SOLE PROPERTY OF FIRST HEALTHCARE PRODUCTS. ANY REPRODUCTION IN PART OR AS A WHOLE WITHOUT THE WRITTEN PERMISSION OF FIRST HEALTHCARE PRODUCTS IS PROHIBITED.



DESCRIPTION:

Mov-it Rounding Cart - SF THERMOFOIL

SIZE A	CART NO. CC09T4150	REV -
------------------	------------------------------	----------

WEIGHT: 30 LBS.

SHEET 1 OF 1