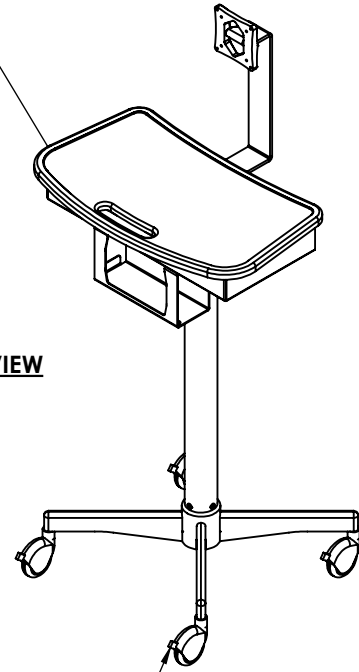


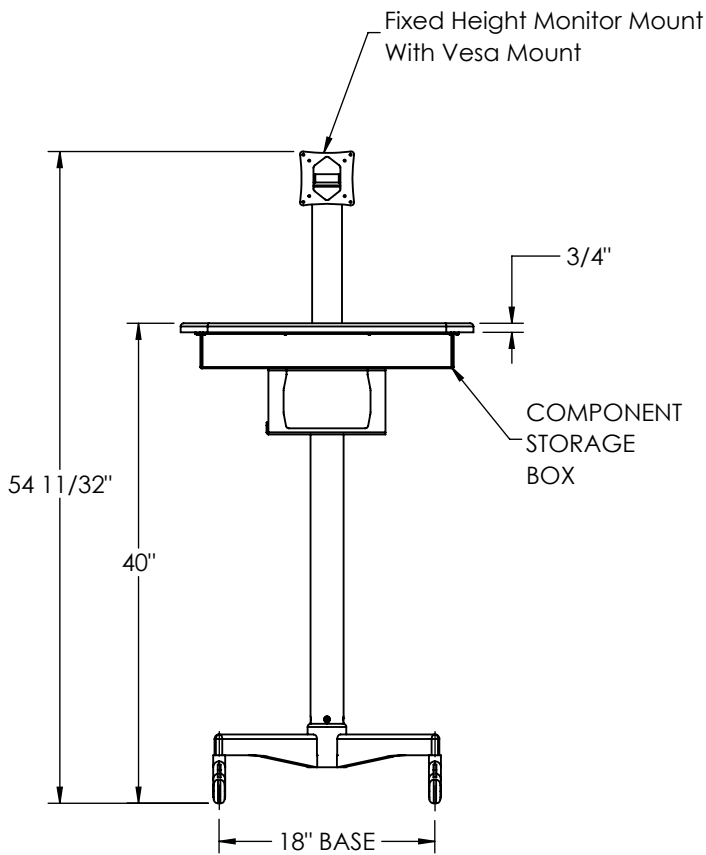
TOP VIEW

WHITE WASH
THERMOFOIL TOP

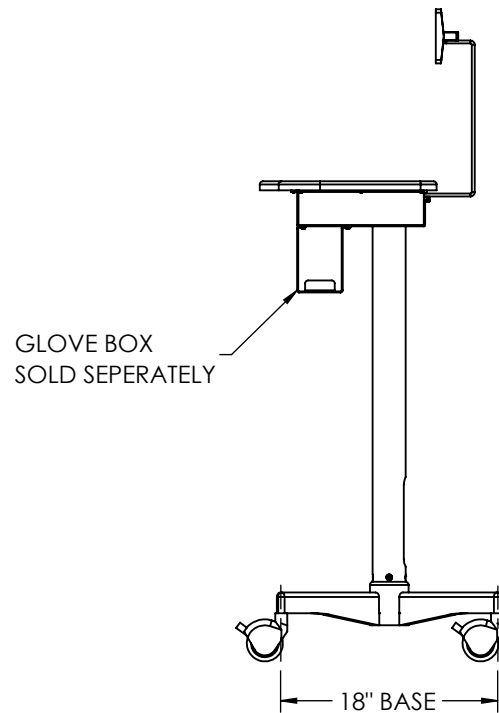


ISOMETRIC VIEW

(2) Ø 3" CASTERS
(2) Ø 3" LOCKING CASTERS



FRONT VIEW



SIDE VIEW

PROPRIETARY AND CONFIDENTIAL

THE INFORMATION CONTAINED IN THIS DRAWING IS THE SOLE PROPERTY OF FIRST HEALTHCARE PRODUCTS. ANY REPRODUCTION IN PART OR AS A WHOLE WITHOUT THE WRITTEN PERMISSION OF FIRST HEALTHCARE PRODUCTS IS PROHIBITED.

DESCRIPTION:
CHAIR SIDE CART

SIZE A	CART NO. CCD10100	REV -
------------------	-----------------------------	-----------------