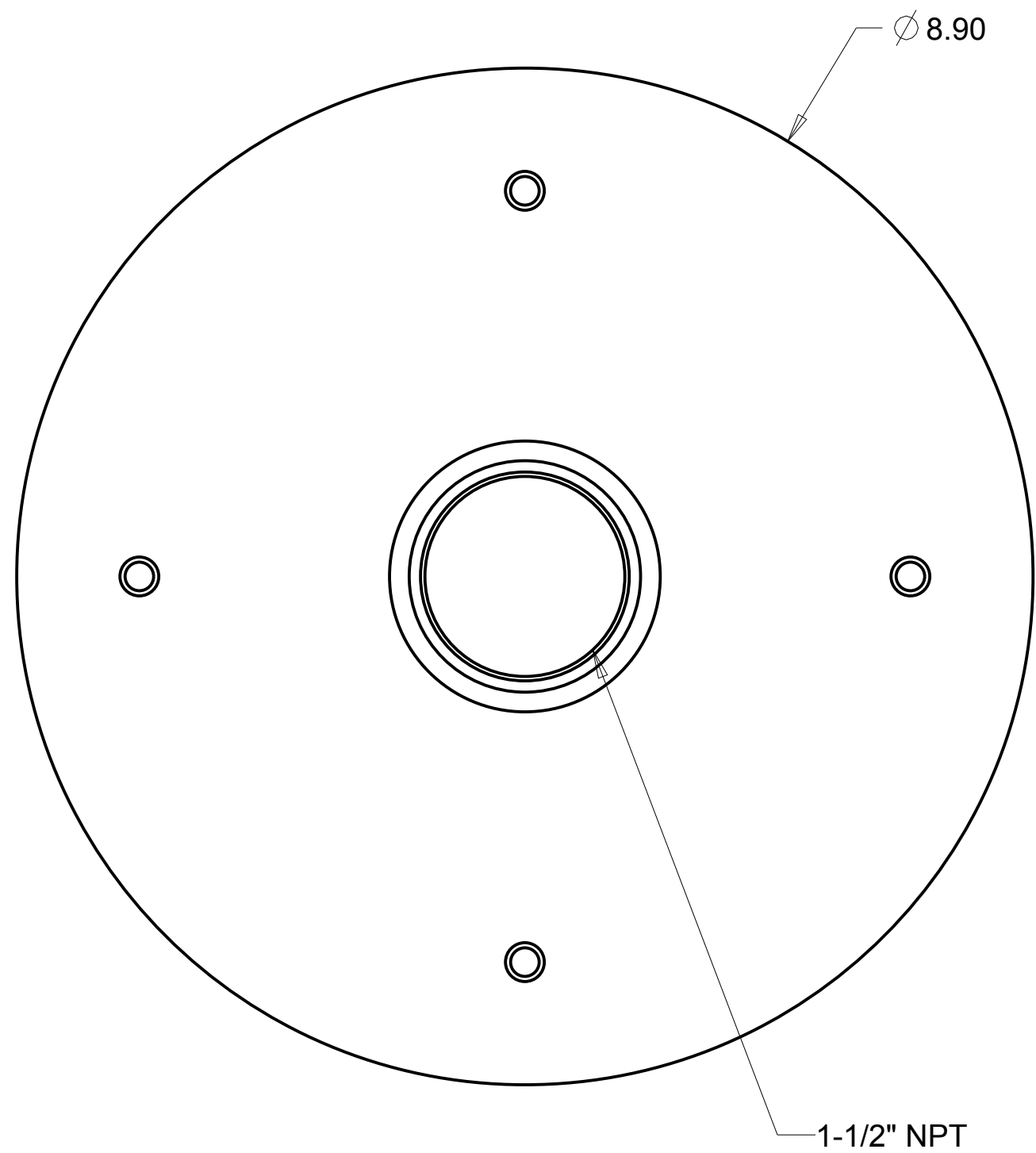
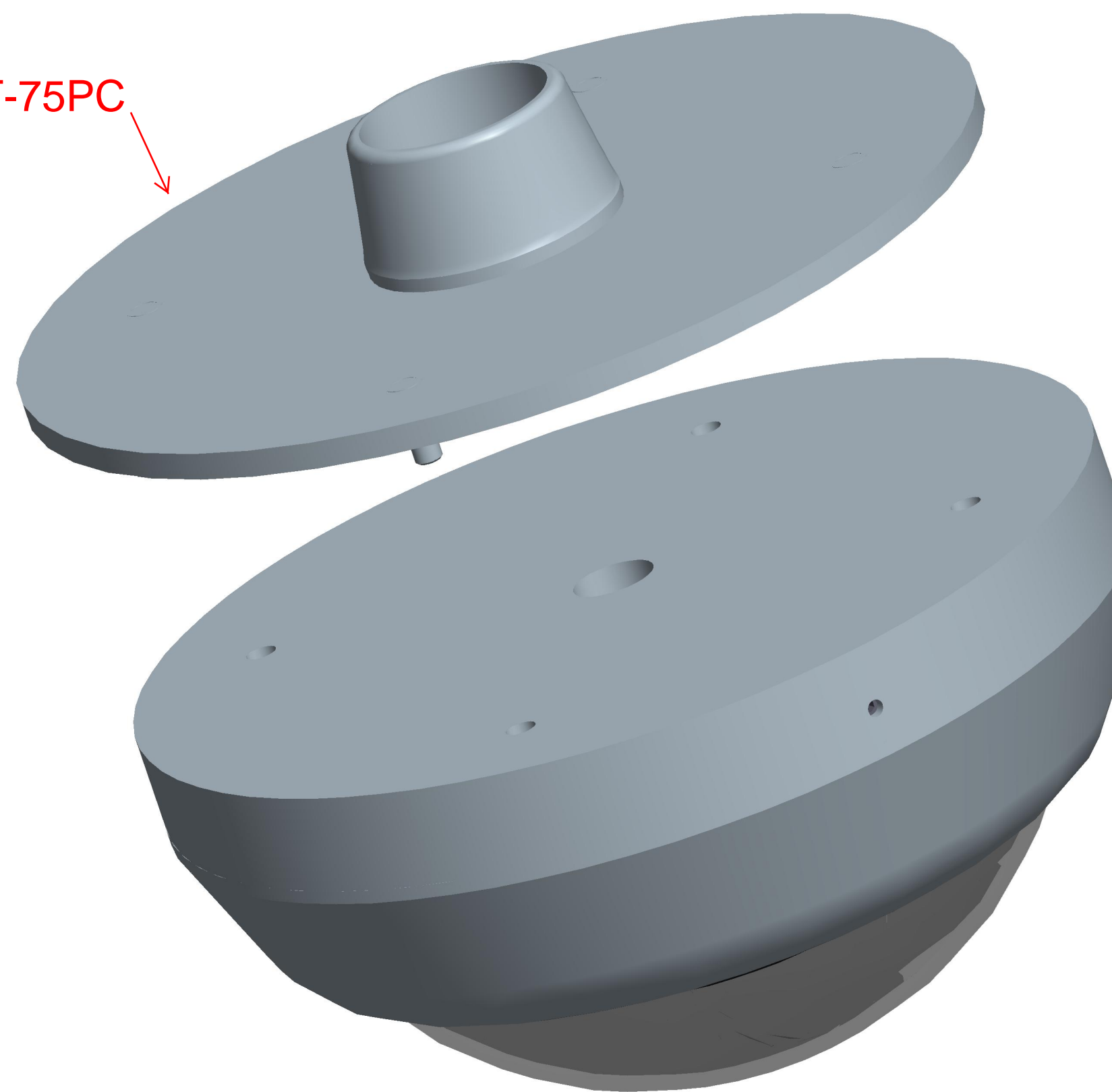


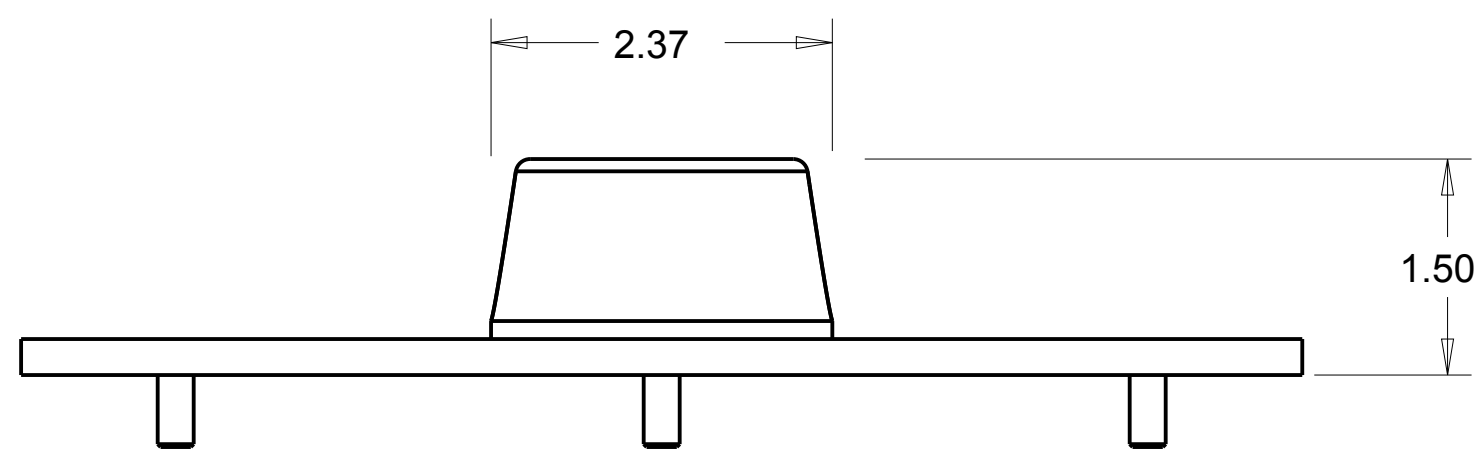
REVISIONS:
 PART NUMBER: PENDANT-CAP_MNT 0 A
 REV:



BMT-75PC



ISO VIEW



THESE DRAWINGS AND SPECIFICATIONS ARE THE PROPERTY OF AND PROPRIETARY TO BROADSIGHT SYSTEMS INC. AND ARE NOT TO BE DISCLOSED, REPRODUCED, COPIED OR USED AS THE BASIS OF MANUFACTURE OR SALE OF APPARATUS AND /OR DEVICES OR OTHERWISE WITHOUT BSI PRIOR WRITTEN CONSENT.

PG. 1 OF 1

Broadsight Systems INC WINSTON-SALEM, N.C.		DESIGNED BY/DATE: ASP 08/01/16	COMM. CODE:	SCALE: NONE	MODEL:
BSI COMPONENT PARTS ARE ROHS COMPLIANT <input type="checkbox"/>	TOLERANCES: UNLESS SPECIFIED.	DRAWN BY/DATE: ASP 08/01/16	DRAWING TITLE: PENDANT CAP MOUNT BOSCH 360 DOME HOUSING PROJECT		
ALL DIMENSIONS ARE IN INCHES UNLESS OTHERWISE SPECIFIED	0.0 ± .030 0.00 ± .015 0.000 ± .005	CHECKED BY/DATE:			
THIRD ANGLE PROJECTION	ANGULAR ± 1/2°	CAGE 7DJB4	SIZE: C	DRAWING NUMBER: PENDANT-CAP_MNT	REV: 0 A