

Modular camera mounts & accessories

www.boschsecurity.com



BOSCH
Invented for life



- ▶ Modular design for fast and easy installation
- ▶ One accessory line for multiple camera families from Bosch
- ▶ Weather resistant finish to maintain cosmetic appearance

The modular camera mounts & accessories are a family of mounts, mounting adapters, pendant interface plates and surveillance cabinets which can be used with a wide range of Bosch cameras. The accessories are easy to install and can be combined to simplify installation in multiple locations whilst retaining the same look and feel.

System overview

Modular design: use with different cameras

The modular design is flexible and can be used to install Bosch cameras both indoors and outdoors. By choosing the relevant camera specific interface plate for the camera to be installed, common mounts can be used, making multi-camera installations simpler and ensuring common form and color (RAL9003).

These accessories are compatible with:

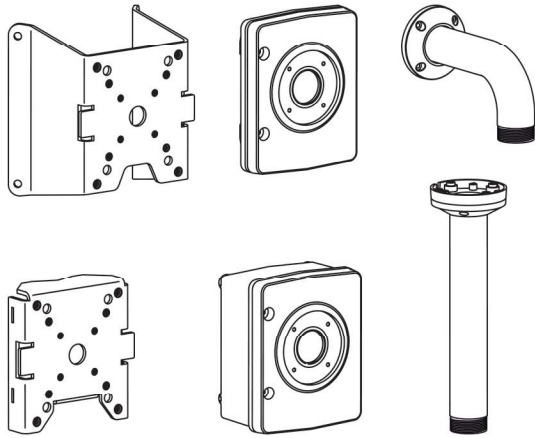
- FLEXIDOME IP 4000i
- FLEXIDOME IP 5000i
- FLEXIDOME IP outdoor 4000 HD
- FLEXIDOME IP outdoor 5000 HD
- FLEXIDOME IP panoramic 5000 MP
- FLEXIDOME IP panoramic 7000 MP
- AUTODOME IP 4000i
- AUTODOME IP 5000i

Quality and robustness for all environments

The mechanical design of the mounts and accessories is driven by combining ease of use with reliability and robustness. All combinations are tested to Bosch standards to deliver the highest environmental performance including mechanical load, shock, vibration and impact testing. While the mechanical design makes these mounts and accessories vandal resistant, high quality coating provides protection against corrosion and maintains the highest level of cosmetic integrity over time.

Usability: easy and flexible installation

Usability is fundamental for these accessories. This starts with an easy selection process, using the Bosch Product Selector to determine the correct combination of accessories for the camera to be used.

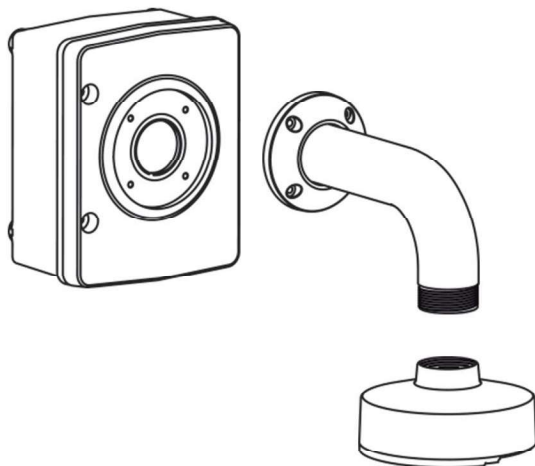


Depending on the installation scenario a wall mount, ceiling mount or roof mount can be used. Further options include pole mount and corner mount. The surveillance cabinet, wall mount plate and surface mount boxes offer extra flexibility to installers. A camera specific interface allows a range of cameras to be used with these mounting options.

Pendant interface plate

Each compatible camera has its own pendant interface plate. These adapters are designed especially for use with the modular accessories. It provides a safe and robust solution to mount the chosen camera to the NDA-U-WMT wall mount, the NDA-U-PMT pipe mount or the NDA-U-RMT parapet mount.

Pendant wall mount

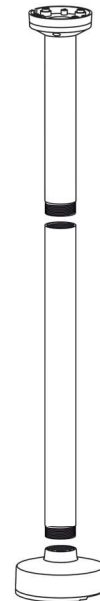


The pendant wall mount supports multiple installation scenarios including direct installation to a wall, pole or corner through the use of a suitable adapter. The integrated swivel function ensures the installed camera is always level. The mount allows easy cable management or it can be combined with additional surface mount boxes to cater for conduit connections. You can extend your installation with a surveillance cabinet to provide a power supply plus additional room to safely install extra hardware. Use a camera-specific interface plate to attach your camera to the mount.

Pendant parapet mount

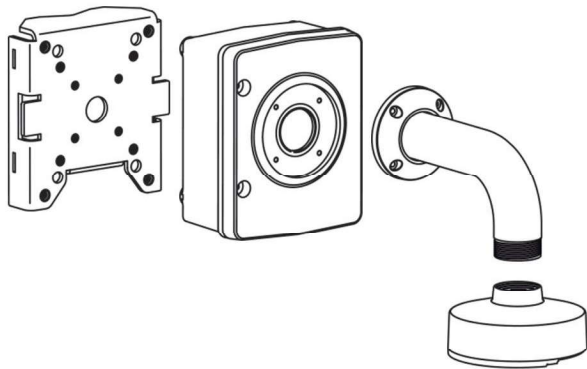
The parapet mount can be used to install cameras on parapets, edges of a balcony wall or the side of bridges. These mounts are fitted to the inside or outside of a suitable wall and can be swiveled for ease of positioning and to make servicing of cameras simpler. An optional flat roof mount adapter (LTC9230/01) can be used for mounting on a flat surface.

Pendant pipe mount



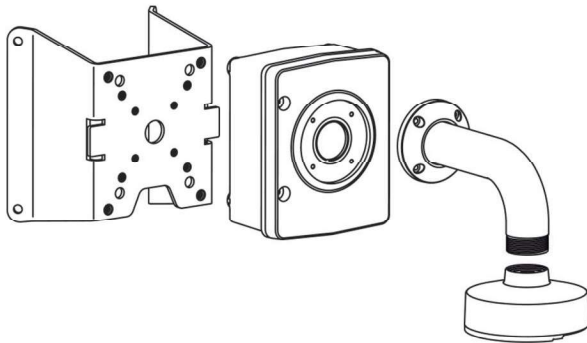
The pendant pipe mount allows the installation of a camera suspended from a ceiling. For high ceilings, the length can be extended by using an extension pipe. The mount supports easy cable management or can be combined with additional surface mount box for conduit connections. You can extend your installation with a surveillance cabinet to provide a power supply plus additional room to safely install extra hardware. Use a camera-specific interface plate to attach your camera to the mount.

Pole mount adapter



This adapter allows the camera to be installed to a pole or mast. Once the adapter is attached to the pole, a wall mount and surveillance cabinet can be added to provide a full weatherproof installation option.

Corner mount adapter



The corner mount adapter allows easy installation to the corner of a building. With the adapter fitted, a wall mount and surveillance cabinet can be added to provide a full weatherproof installation option.

Surveillance cabinets

Bosch surveillance cabinets are designed to meet the power and electrical safety requirements for cameras used in outdoor security applications. The surveillance cabinets provide a power supply for situations without

PoE. They are available without a transformer (for direct 24 VAC power input) and with either a 120 VAC or a 230 VAC transformer for mains supply. Each surveillance cabinet offers 100 Watt output with surge protection. The surveillance cabinet allows easy, direct interface for the wall mount. The full combination with wall mount is rated as IP66 and IK10. For more details about compatibility, refer to the Bosch Product Selector.

Fiber Optic Kits

The VG4-SFPSCKT fiber optic kit is a unique media converter module for use with the surveillance cabinet. This media converter is designed to accept a wide range of 10/100 Mbps Small Form-factor Pluggable (SFP) modules for use with Multimode or Singlemode fiber with LC or SC connectors. The media converter module and SFP module can be installed directly into the surveillance cabinet to provide an integrated fiber optic solution. The fiber optic kits extend the range that the camera can receive commands and transmit video and data.

Technical specifications

Mechanical

Standard Color	White (RAL 9003)
Mounting	To a wall, a pole, a corner, a parapet (roof)

Ordering information

NDA-U-CMT Corner mount adapter

Universal corner mount, white
Order number **NDA-U-CMT**

NDA-U-PA0 Surveillance cabinet 24VAC

Surveillance cabinet, 24 VAC input, 24 VAC output, IP66
Order number **NDA-U-PA0**

NDA-U-PA1 Surveillance cabinet 120VAC

Surveillance cabinet, 120 VAC input, 24 VAC output, IP66
Order number **NDA-U-PA1**

NDA-U-PA2 Surveillance cabinet 230VAC

Surveillance cabinet, 230 VAC input, 24 VAC output, IP66
Order number **NDA-U-PA2**

NDA-U-PMAL Pole mount adapter large

Universal pole mount adapter, white; large
Order number **NDA-U-PMAL**

NDA-U-PMAS Pole mount adapter small

Pole mount adapter small
Universal pole mount adapter, white; small.
Order number **NDA-U-PMAS**

NDA-U-PMT Pendant pipe mount, 12" (31cm)

Universal pipe mount for dome cameras, 31 cm, white
Order number **NDA-U-PMT**

NDA-U-PMTE Pendant pipe extension, 20" (50cm)

Extension for universal pipe mount, 50 cm, white
Order number **NDA-U-PMTE**

NDA-U-PSMB Pendant wall/ceiling mount SMB

Surface mount box (SMB) for wall mount or pipe mount.

Order number **NDA-U-PSMB**

NDA-U-RMT Pendant parapet mount

Universal roof mount for dome cameras, white

Order number **NDA-U-RMT**

NDA-U-WMP Wall mount plate

Back plate for universal wall mount, corner mount and pole mount, white, IP66

Order number **NDA-U-WMP**

NDA-U-WMT Pendant wall mount

Universal wall mount for dome cameras, white

Order number **NDA-U-WMT**

NDA-3050-PIP Pendant interface plate panoramic 5000

Pendant interface plate for FLEXIDOME IP panoramic 5000 MP. For outdoor and indoor

Order number **NDA-3050-PIP**

NDA-4020-PIP Pendant interface plate AUTODOME 4000

Pendant interface plate for AUTODOME IP 4000i.

Order number **NDA-4020-PIP**

NDA-5030-PIP Pendant interface plate NDE-4/5000

Pendant interface plate for outdoor FLEXIDOME 4000i / 5000i.

Order number **NDA-5030-PIP**

NDA-5031-PIP Pendant interface plate NDI-4/5000

Pendant interface plate for indoor FLEXIDOME IP 4000i / 5000i.

Order number **NDA-5031-PIP**

NDA-7010-PIP Pendant interface plate FLEXIDOME 7000

Pendant interface plate for FLEXIDOME IP panoramic 7000.

Order number **NDA-7010-PIP**

NDA-8000-PIP Pendant interface plate, indoor

Pendant interface plate for FLEXIDOME IP 8000i, indoor.

Order number **NDA-8000-PIP**

NDA-8000-PIPW Pendant interface plate, outdoor

Pendant interface plate including weather protector for FLEXIDOME IP 8000i, outdoor.

Order number **NDA-8000-PIPW**

Accessories**NDA-4020-PLEN Plenum box for PTZ dome**

In-ceiling housing for plenum spaces for AUTODOME IP 4000i and AUTODOME IP 5000i cameras. Available in specific regions only.

Order number **NDA-4020-PLEN**

VGA-IC-SP Suspended ceiling support kit,7"

Suspended ceiling support kit for dome cameras. Aperture Ø177 mm (Ø7 in). Maximum supported weight 11.3 kg (25 lb).

Order number **VGA-IC-SP**

VG4-SFP SCKT ETHERNET TO SFP INTERFACE KIT

Ethernet media converter video transmitter/data receiver fiber optic kit for AUTODOME cameras and for MIC-IP-PSU for MIC analog cameras.

Order number **VG4-SFP SCKT**

LTC 9230/01 Roof mount adapter

Flat Roof Mount Adapter for mounting a unit in an upright position on a flat surface.

Order number **LTC 9230/01**

SFP-2 Fiber module, multimode, 1310nm, 2LC

SFP Fiber Optic Module, 2 km (1.2 miles), 2 LC connectors.

Multi-mode

1310 nm

Order number **SFP-2**

SFP-3 Fiber module, single-mode, 1310nm, 2LC

SFP Fiber Optic Module, 20 km (12.4 miles), 2 LC connectors.

Single-mode

1310 nm

Order number **SFP-3**

SFP-25 Fiber module, 1310/1550nm, 1SC

SFP Fiber Optic Module, 2 km (1.2 miles), 1 SC connector

Multi-mode

1310/1550 nm

Order number **SFP-25**

SFP-26 Fiber module, 1550/1310nm, 1SC

SFP Fiber Optic Module, 2 km (1.2 miles), 1 SC connector

Multi-mode

1550/1310 nm

Order number **SFP-26**

NDA-4020-PLEN Plenum box for PTZ dome

In-ceiling housing for plenum spaces for AUTODOME IP 4000i and AUTODOME IP 5000i cameras. Available in specific regions only.

Order number **NDA-4020-PLEN**

VGA-IC-SP Suspended ceiling support kit,7"

Suspended ceiling support kit for dome cameras. Aperture Ø177 mm (Ø7 in). Maximum supported weight 11.3 kg (25 lb).

Order number **VGA-IC-SP**

Represented by:

Europe, Middle East, Africa:
Bosch Security Systems B.V.
P.O. Box 80002
5600 JB Eindhoven, The Netherlands
Phone: + 31 40 2577 284
emea.securitysystems@bosch.com
emea.boschsecurity.com

Germany:
Bosch Sicherheitssysteme GmbH
Robert-Bosch-Ring 5
85630 Grasbrunn
Germany
www.boschsecurity.com

North America:
Bosch Security Systems, Inc.
130 Perinton Parkway
Fairport, New York, 14450, USA
Phone: +1 800 289 0096
Fax: +1 585 223 9180
onlinehelp@us.bosch.com
www.boschsecurity.us

Asia-Pacific:
Robert Bosch (SEA) Pte Ltd, Security Systems
11 Bishan Street 21
Singapore 573943
Phone: +65 6571 2808
Fax: +65 6571 2699
apr.securitysystems@bosch.com
www.boschsecurity.asia