

INSTALLATION MANUAL – BDH-7500 Series Dome Housing for Bosch Flexidome IP Panoramic 7000 MP

WARNING: Before beginning installation of this product, carefully review the safeguards and precautions found on page 2 of this manual.

Unpacking

Unpack carefully. This is mechanical equipment and should be handled with care. If an item appears to have been damaged in shipment, replace it properly in its carton and notify the shipper. If any items are missing, notify the shipper. The shipping carton is the safest container in which the unit may be transported. Save it for possible future use.

Service

If the unit ever needs repair service, the customer should contact Chesapeake & Midlantic Marketing for a return materials authorization (RMA) and shipping instructions.

Care and Maintenance

Perform routine maintenance to keep the unit dust free.

Model Designation

BDH-7500	HOUSING, OUTDOOR, FOR BOSCH FLEXIDOME IP PANORAMIC 7000 MP
BDH-7500HB	HOUSING, OUTDOOR, FOR BOSCH FLEXIDOME IP PANORAMIC 7000 MP, WITH HEATER AND BLOWER, 24VAC (1A)

Description

The BDH-7500 housing enables outdoor installation of the Bosch Panoramic camera. The unit is constructed of durable aluminum with an optically clear nylon bubble. A shroud is provided to minimize internal reflections for optimal viewing. Network cable entry is achieved through a ½" NPT liquid tight fitting (provided) to supply PoE to the camera. The Heater/Blower version incorporates a 10W heater and blower. Multiple mounting accessories are available for a variety of applications.

Hardware Kit

1 x Fitting, Liquid-Tight, ½" NPT
4 x Washer, ¼" Rubber Bonded
1 x Desiccant Pack

Tools Required

3/32" Allen Wrench / Hex Bit
5/32" Allen Wrench / Hex Bit
#1 Phillips Head Screwdriver
1-1/16" Wrench
Teflon Pipe Thread Sealant Tape
RTV Sealant
Appropriate tools for installation surface

Certification

Installation should be performed by a licensed professional and conform to the National Electrical Code (NEC) and any applicable local codes.

Installation

1. Remove unit from packaging. Remove dome cover by loosening three (3) set screws in side of housing.
2. Remove liner and liner tabs by removing eight (8) Phillips head screws from mounting feet (see Figure 1).
3. Skip step 4-11 if installing with other mounting accessories.

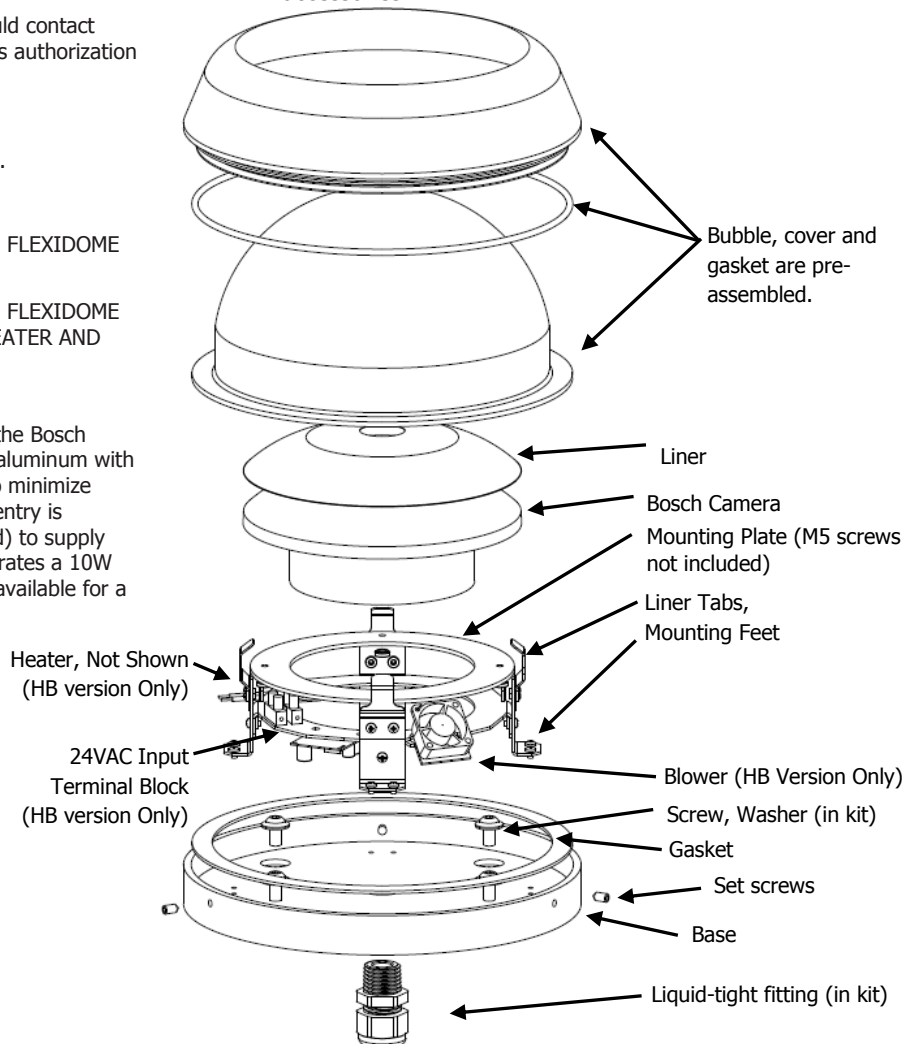



Figure 1 - BDH-7500HB Exploded View

IMPORTANT SAFEGUARDS

1. Read Instructions - All the safety and operating instructions should be read before the unit is operated.
2. Retain Instructions - The safety and operating instructions should be retained for future reference.
3. Heed Warnings - All warnings on the unit and in the operating instructions should be adhered to.
4. Follow Instructions - All operating and use instructions should be followed.
5. Cleaning - Unplug the unit from the outlet before cleaning. Do not use liquid cleaners or aerosol cleaners. Use a damp cloth for cleaning.
6. Attachments - Do not use attachments not recommended by the product manufacturer as they may cause hazards.
7. Accessories - Do not place this unit on an unstable stand, tripod, bracket, or mount. The unit may fall, causing serious injury to a person and serious damage to the unit. Use only with a stand, tripod, bracket, or mount recommended by the manufacturer or sold with the product. Any mounting of the unit should follow the manufacturer's instructions and should use a mounting accessory recommended by the manufacturer.
 An appliance and cart combination should be moved with care. Quick stops, excessive force, and uneven surfaces may cause the appliance and cart combination to overturn.
8. Ventilation - Openings in the enclosure, if any, are provided for ventilation, to ensure reliable operation of the unit, and to protect it from overheating. These openings must not be blocked or covered. This unit should not be placed in a built-in installation unless proper ventilation is provided or the manufacturer's instructions have been adhered to.
9. Power Sources - This unit should be operated only from the type of power source indicated on the marking label. If you are not sure of the type of power supply you plan to use, consult your appliance dealer or local power company. For units intended to operate from battery power or other sources, refer to the operating instructions.
10. Grounding or Polarization - This unit may be equipped with a polarized alternating-current line plug (a plug having one blade wider than the other). This plug will fit into the power outlet only one way. This is a safety feature. If you are unable to insert the plug fully into the outlet, try reversing the plug. If the plug should still fail to fit, contact your electrician to replace your obsolete outlet. Do not defeat the safety purpose of the polarized plug. Alternatively, this unit may be equipped with a 3-wire grounding-type plug, a plug having a third (grounding) pin. This plug will only fit into a grounding-type power outlet. This is a safety feature. If you are unable to insert the plug into the outlet, contact your electrician to replace your obsolete outlet. Do not defeat the safety purpose of the grounding-type plug.
11. Power Cord Protection - Power supply cords should be routed so that they are not likely to be walked on or pinched by items placed upon or against them, paying particular attention to cords and plugs, convenience receptacles, and the point where they exit from the appliance.
12. Power Lines - An outdoor system should not be located in the vicinity of overhead power lines or other electric light or power circuits or where it can fall into such power lines or circuits. When installing an outdoor system, extreme care should be taken to keep from touching such power lines or circuits as contact with them might be fatal. U.S.A. models only - refer to the National Electrical Code Article 820 regarding installation of CATV systems.
13. Overloading - Do not overload outlets and extension cords as this can result in a fire or electric shock.
14. Object and Liquid Entry - Never push objects of any kind into this unit through openings, as they may touch dangerous voltage points or short out parts that could result in a fire or electric shock. Never spill liquid of any kind on the unit.
15. Servicing - Do not attempt to service this unit yourself as opening or removing covers may expose you to dangerous voltage or other hazards. Refer all servicing to qualified service personnel.
16. Damage Requiring Service - Unplug the unit from the outlet and refer servicing to qualified service personnel under the following conditions:
 - a. When the power supply cord or plug is damaged.
 - b. If liquid has been spilled or objects have fallen into the unit.
 - c. If the unit has been exposed to rain or water.
 - d. If the unit does not operate normally by following the operating instructions. Adjust only those controls that are covered by the operating instructions, as an improper adjustment of other controls may result in damage and will often require extensive work by a qualified technician to restore the unit to its normal operation.
 - e. If the unit has been dropped or the cabinet has been damaged.
 - f. When the unit exhibits a distinct change in performance--this indicates a need for service.
17. Replacement Parts - When replacement parts are required, be sure the service technician has used replacement parts specified by the manufacturer or have the same characteristics as the original part. Unauthorized substitutions may result in fire, electric shock, or other hazards.
18. Safety Check - Upon completion of any service or repairs to this unit, ask the service technician to perform safety checks to determine that the unit is in proper operating condition.
19. Coax Grounding - If an outside cable system is connected to the unit, be sure the cable system is grounded. U.S.A. models only--Section 810 of the National Electrical Code, ANSI/NFPA No.70-1981, provides information with respect to proper grounding of the mount and supporting structure, grounding of the coax to a discharge unit, size of grounding conductors, location of discharge unit, connection to grounding electrodes, and requirements for the grounding electrode.
20. Lightning - For added protection of this unit during a lightning storm, or when it is left unattended and unused for long periods of time, unplug it from the wall outlet and disconnect the cable system. This will prevent damage to the unit due to lightning and power line surges.

FCC NOTICE

This equipment generates and uses radio frequency energy and if not installed and used properly, that is, in strict accordance with the manufacturer's instructions, may cause interference to radio and television reception. It has been type tested and found to comply with the limits for a Class B computing device in accordance with Part 15 of FCC Rules, which are designed to provide reasonable protection against such interference in a residential installation. However, there is no guarantee that interference will not occur in a particular installation. If this equipment does cause interference to radio or television reception, which can be determined by turning the equipment off and on, the user is encouraged to try to correct the interference by one or more of the following measures:

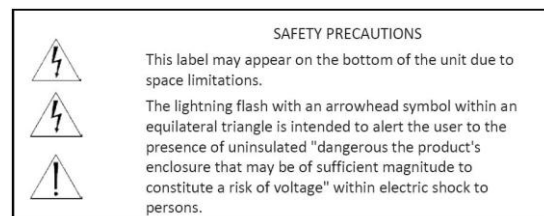
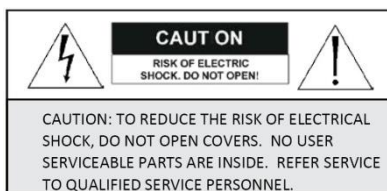
Relocate the monitor away from the TV/radio receiver.

Plug the monitor into a different wall outlet so that the console is on a different branch circuit.

Re-orient the TV/radio antenna.

If necessary, the user should consult the dealer or an experienced radio/television technician for additional suggestions.

NOTE: Changes or modifications to the unit may void FCC compliance.



Installation (continued)

4. Hold base up to installation surface and use a template to mark mounting hole and central hole locations.
5. Drill out mounting holes using appropriate sized drill bit. Select appropriate size fasteners for the installation surface. Each fastener should have a minimum 200 lbs pull-out strength.
6. Drill out a central hole large enough for the liquid-tight fitting.
7. Run network cable to installation surface. Pull enough cable past the installation surface so the cable can be routed through the housing to the camera.
8. Route cable through liquid-tight connector (leave loose) and central hole in base. Apply Teflon tape to threads. Install connector into base and tighten using 1-1/16" wrench or adjustable wrench.

IMPORTANT NOTE: Always use the Liquid-Tight Fitting no matter what installation type or accessories are used. This fitting is critical for water ingress prevention and strain relief for the cable.

CABLE SIZE: select appropriate cables per wire size chart; see Table 1 on page 4. Remove outer jacket from multi-conductor power cables and feed individual wires through the fitting.

9. Apply a bead of RTV to the bottom of the base around the entire outside edge. For additional protection, apply additional beads around each of the mounting holes and central hole.
10. Hold base near installation surface and pull cable through base as far as possible while still able to tighten cap on liquid-tight connector. Tighten cap until connector firmly grasps cord.

11. Attach base to installation surface using appropriate customer-supplied fasteners.
12. Terminate network cable into RJ45 connector.
13. HB Version Only: connect 24VAC wires to unoccupied terminal block posts and secure with a small flat blade screwdriver.
14. Attach mounting plate (included w/ camera) to the mounting legs using the M5 screws (included w/ camera).
15. Connect network cable to camera's RJ45 port.
16. Attach camera to mounting plate per instructions included with camera.
17. Place desiccant pack from hardware kit behind camera. Ensure it is not in direct contact with the heater, fan, or circuit board.
18. Ensure gasket is seated around the inside of the bottom of the base.
19. Hold liner in place and reinstall liner tabs to pinch the liner and hold it in place around the camera.
20. Re-install bubble and cover, pressing firmly to ensure cover is fully seated into the base.
21. Tighten three (3) set screws using 3/32" Allen wrench or hex bit to complete installation.

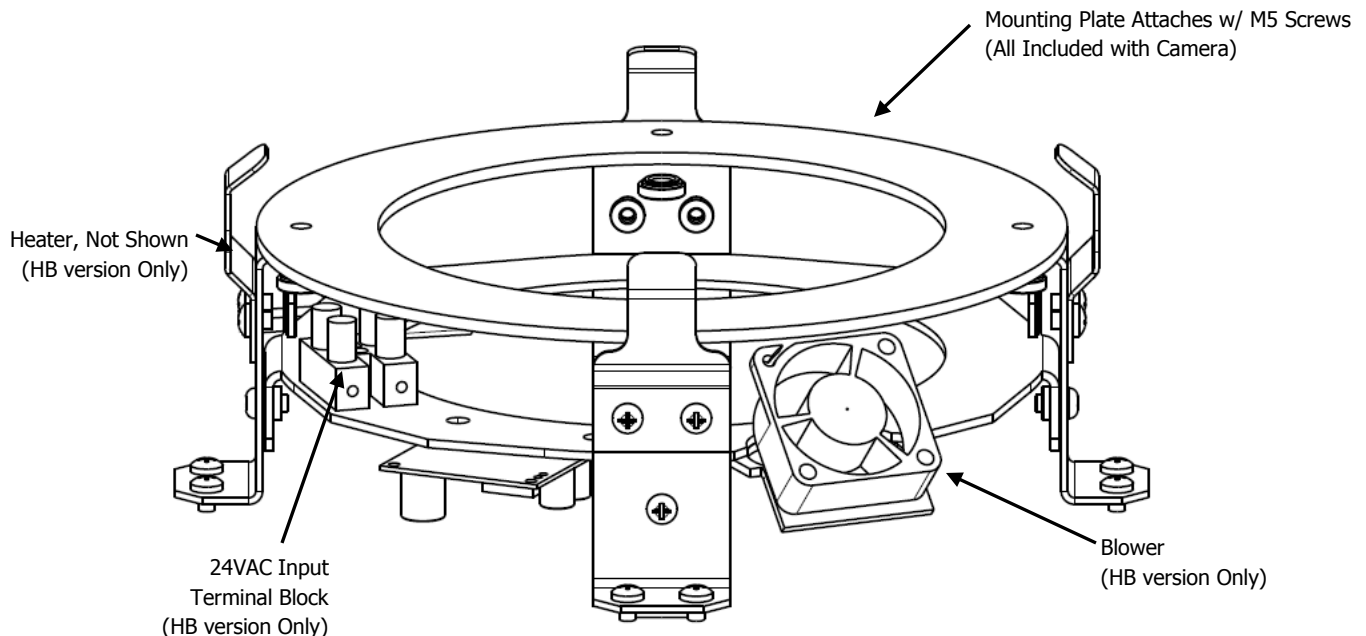


Figure 2 - Close Up View of BDH-7500HB Bracketry

Table 1 - Wire Selection Chart

Model	Network Cable Max Outer Jacket Diameter	Power Wire Max Outer Jacket Diameter
BDH-7500	1 x 5/16" (0.3125")	N/A (PoE)
BDH-7500HB	1 x 7/32" (0.219")	5 x 5/64" (0.080") OR
		11 x 3/64" (0.047")



Figure 3 - BDH-7500xx Assembled