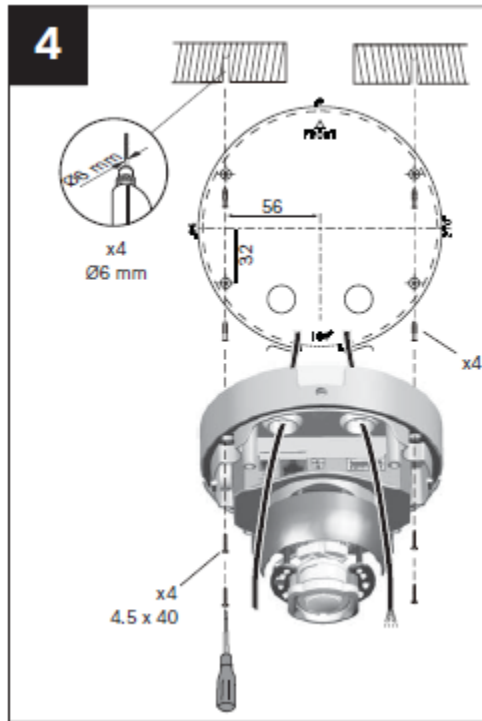


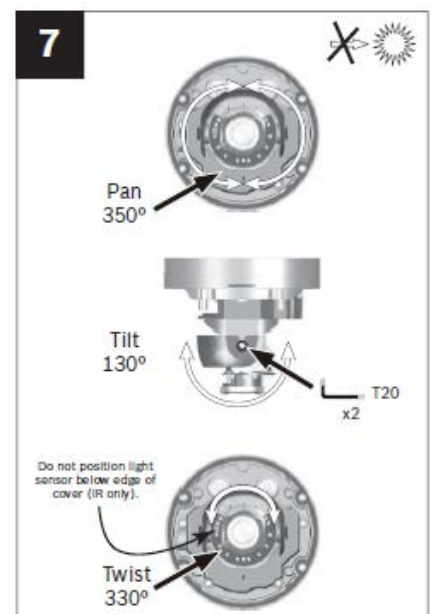
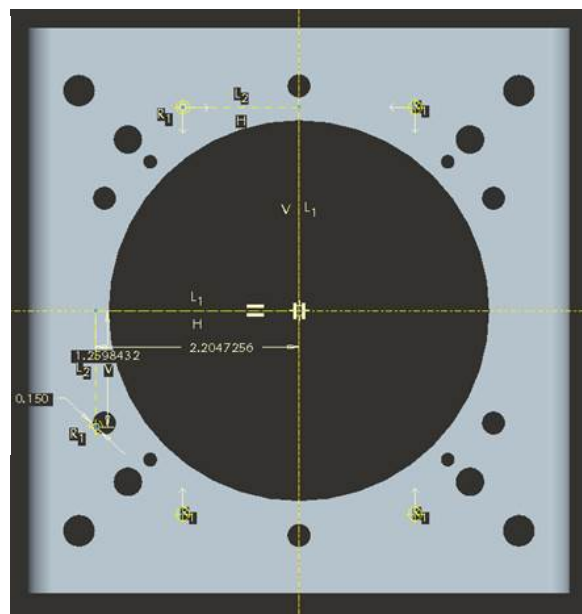
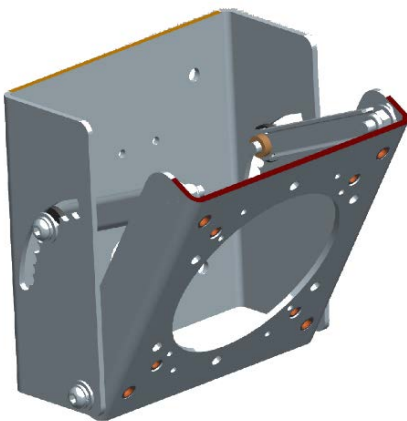
## INSTALLATION NOTE: BMT-75T45 with Bosch Flexidome 4000i Outdoor (NDE-4502-xx)

When the BMT-75T45 mount is used with the Bosch Flexidome 4000i Outdoor, conduit must enter only left or right when conduit entry is desired over through-wall cable entry. The instructions below reference the Bosch Flexidome 4000i Outdoor [NDE-4502-xx](#) Quick Installation Guide which can be downloaded [here](#).

In step 4 of the Quick Installation Guide, you see how the unit is normally installed directly onto a wall. You can see the hole pattern where 56mm is horizontal and 32 mm is vertical.



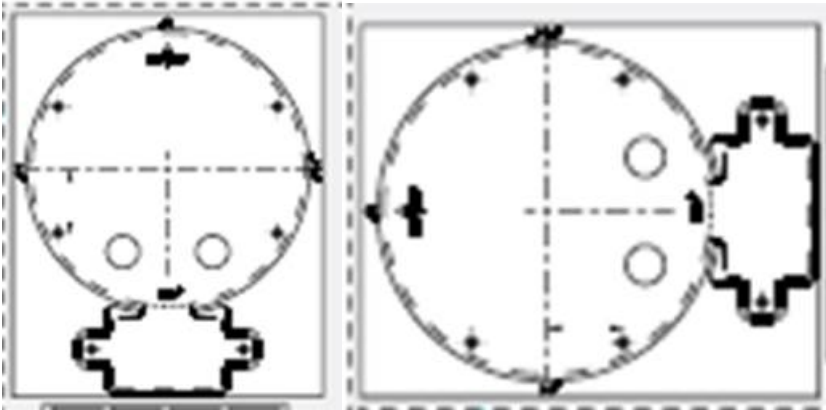
Turn the camera's hole pattern 90-degrees and place it onto the BMT-75T45 field-adjustable mount (as shown below). This is ok because the camera itself can pan 350 degrees, which allows an installer to move the camera body in any direction as shown in figure 7 below.



With the re-configured camera hole pattern, the conduit entry is at the left or right horizontal alignment.

(ORIGINAL)

(ADJUSTED VERSION)



**For design or technical assistance, contact Chesapeake and Midlantic Marketing:**

+1 410 612 9640 | [support@midches.com](mailto:support@midches.com) | [www.midches.com](http://www.midches.com)

