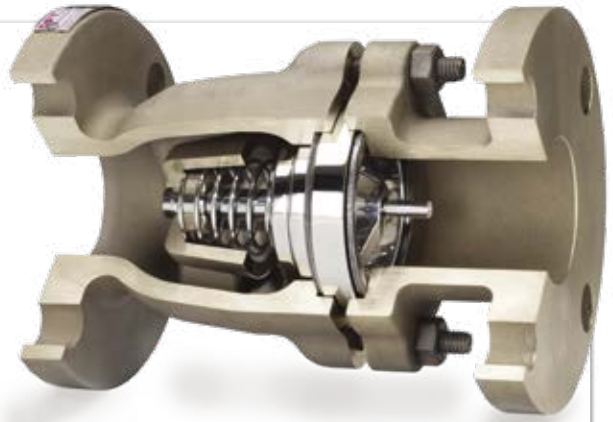


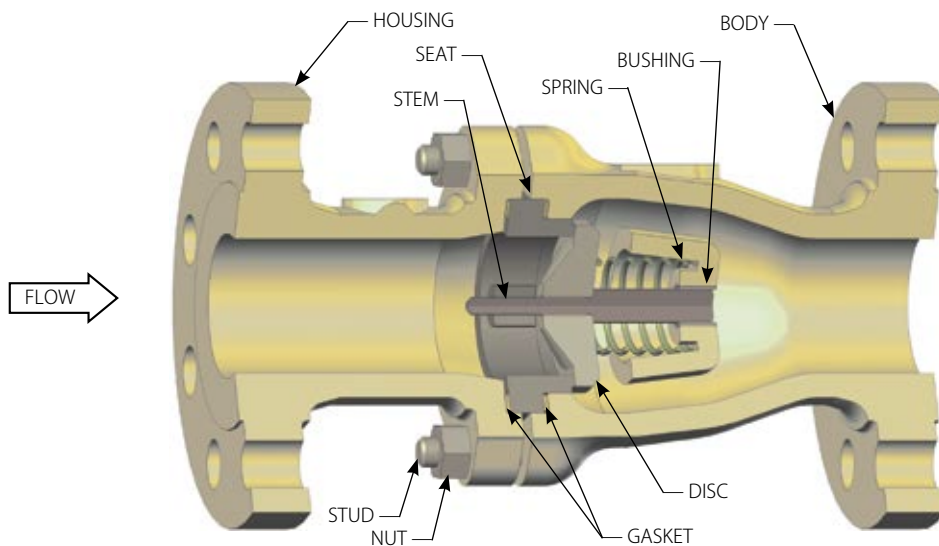
# Excalibur® - NAB

The **DFT® Excalibur® NAB (Nickel-Aluminum Bronze) Silent Check Valve** is a spring-assisted, nozzle style, non-slam check valve that is designed to withstand the harsh environments of salt and brackish water applications where corrosion resistance and marine life deterrents are a must. DFT's center guided check valves provide reliable, low-maintenance service and solve the problems associated with water hammer and severe applications and environments.



## FEATURES:

- ASME B16.10 Face-to-Face dimensions
- Spring-assisted silent closing, non-slam
- 2" to 24" Line size
- ASME Class 150 & 300
- Standard body materials:
  - Nickel-Aluminum Bronze
- Standard ends:
  - Flat face flanged
- Optional ends:
  - Butt weld
- Flanged x Butt weld
- Raised face
- Center-guided
- Dual-guided stem
- Horizontal or vertical installation
- Tight shutoff
- Two-piece body
- Protected spring
- Easy maintenance
- Versatile
- Axial flow
- Nozzle style
- Options:
  - Soft seat
  - Inconel® X-750 Spring
  - Custom sizing low flow
  - Severe service trim
  - Stellite® trim
- Trim Options:
  - Nickel-Aluminum Bronze
  - Monel®
  - Stainless Steel
  - Duplex SS



Consult pages 44 and 45 for Pressure/Temperature ratings and soft seat materials.