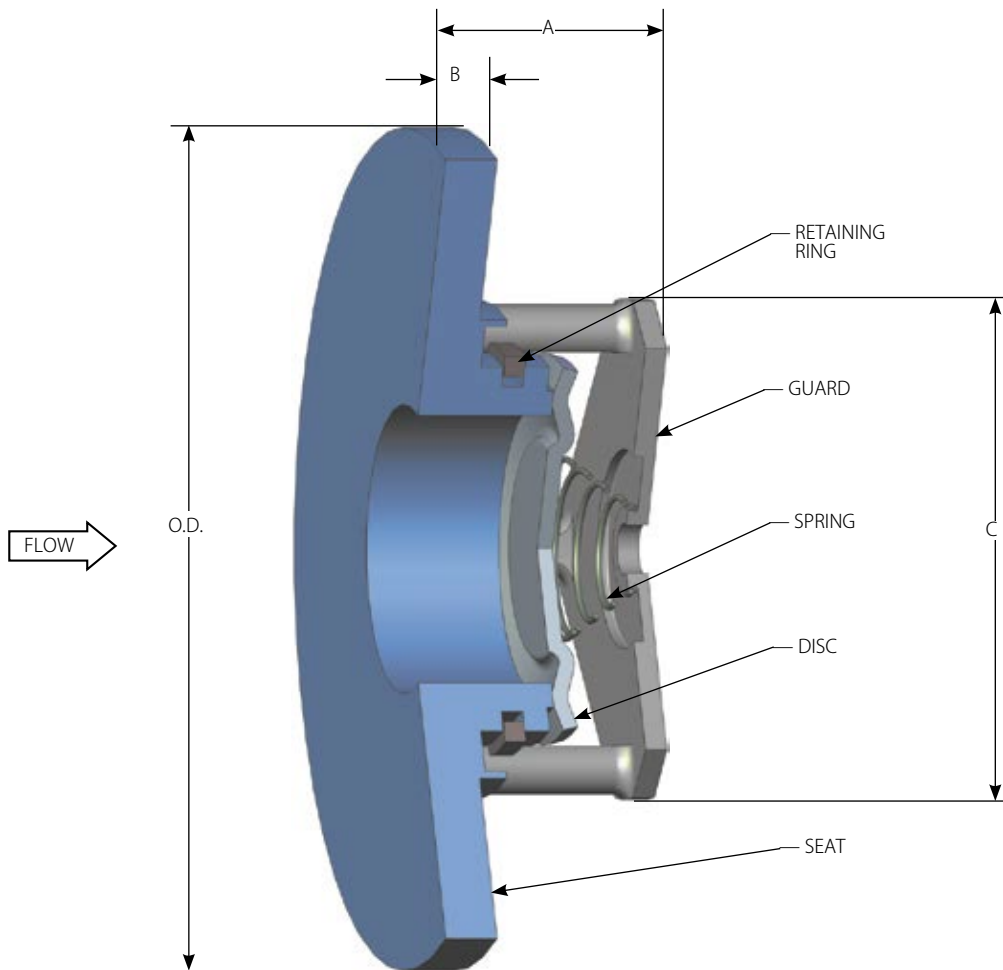


The **FBC Check Valve** is a compact, lightweight, insert wafer check valve that easily installs between two flanges. The non-slam, spring-assisted design prevents “water hammer” and “reverse flow”. The FBC Check Valve contains all of the proven features of the Basic-Check® valve developed originally by DFT® and still in use after 60 years. Like the Basic-Check® Valve, the metal-to-metal sealing area of the disc and seat is precision lapped, providing tight shutoff for applications involving liquids, gases or steam. Resilient soft seats are available for applications requiring bubble-tight shutoff.



FEATURES:

- Spring-assisted silent closing
- Horizontal or vertical installations
- Sizes 1" through 4"
- ASME/ANSI Class 150 and 300
- Stainless steel seat, disc, guard, retaining ring & spring
- Cracking pressure: 0.6 to 0.15 psi (See chart)
- Temperatures to 450°F for standard valves
- Extended tag for easy identification of the installed valve
- Use in Schedule 40 or Schedule 80 pipe (See chart on pg. 33)
- Meets ASME B16.34-2013 & MSS SP-126
- Flange finish per MSS SP-6
- Seat leakage per MSS SP-61
- Options:
 - Soft seat
 - Inconel® X-750 spring



Consult pages 44 and 45 for Pressure/Temperature ratings and soft seat materials.

MATERIALS OF CONSTRUCTION

COMPONENT		
Seat		A479 316
Disc	1" to 3"	316 SS
	4"	17-7 SS
Guard		316 SS
Spring		316 SS
Retaining Ring		316 SS

PRESSURE TEMPERATURE RATING — 316 SS (PSIG) (1)

Temp. (°F)	ASME/ANSI CLASS	
	150	300
100	275	720
200	235	620
250 (2)	225	590
300 (3)	215	560
400 (4)	195	515
450	180	495

Class	150/300	150	
1"*	A	0.87	
	B	0.25	
	C	1.03	
	O.D.	2.00	
	Weight	0.2	
	Cv	5.8	
1 1/2"*	A	1.10	
	B	0.25	
	C	1.56	
	O.D.	2.88	
	Weight	0.6	
	Cv	13.2	
2"***	A	1.22	
	B	0.25	
	C	1.94	
	O.D.	3.62	
	Weight	0.9	
	Cv	23.1	
2 1/2"*	A	1.31	
	B	0.25	
	C	2.40	
	O.D.	4.12	
	Weight	1.2	
	Cv	36	
3"*	A	1.47	
	B	0.31	
	C	2.97	
	O.D.	5.00	
	Weight	2.2	
	Cv	57.4	
4"***	A		2.11
	B		0.38
	C		3.70
	O.D.		6.19
	Weight		5.2
	Cv		90
CP		0.15	

Not recommended for use on discharge of reciprocating compressors.

- Notes:**
1. Pressure/temperature ratings in accordance with ASME/ANSI B16.34-2013
 2. Maximum temperature for Buna
 3. Maximum temperature for EPDM
 4. Maximum temperature for Viton®, TFE-encapsulated Viton® and Zelon®
- * Fits schedule 40 pipe only.
 ** Fits schedule 40 and schedule 80 pipe ID.

All dimensions are in inches. Weights are in pounds. For metric measurements, visit www.dft-valves.com. CP: Cracking Pressure (psig)