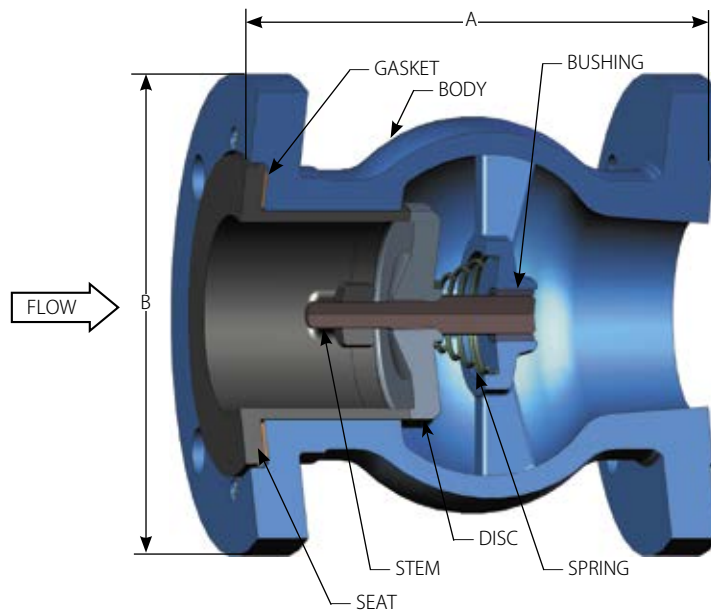


The **DFT[®] Model GLC Silent Check Valve** is a spring-assisted, center-guided, non-slam, flanged check valve that provides reliable, low-maintenance service for a wide range of fluids and pressure/ temperature combinations. The valve consists of a body, seat, spring, disc with stem, guide bushing and gasket. The DFT GLC check valve has the advantage of minimum pressure loss with silent operation.



FEATURES:

- "Short" Face-to-Face dimensions
- API 6FD Fire Test
 - ASME Class 150 and 300
 - 2" to 24"
- Meets API 6D
- Standard body materials:
 - A216 Grade WCB carbon steel
 - A351 CF8M stainless steel
- Optional body materials:
 - Alloy 20
 - Duplex SS
 - Hastelloy[®]
 - Monel[®]
- Nickel-Aluminum Bronze (See page 41)
- One-piece body
- Spring-assisted silent closing, non-slam
- Center-guided
- Dual-guided stem
- Horizontal or vertical installation
- Protected spring
- Easy maintenance
- Versatile
- ASME Class 150 To 2500 (See chart)
 - 1" to 42" Line size
- 316 SS trim
- RF Flanged ends
- MSS-SP61 seat leakage
- Axial flow
- Nozzle style
- OPTIONS:
 - Inconel[®] X-750 Spring
 - Soft seat
 - Custom sizing low flow
 - Severe service trim
 - Stellite[®] trim
 - RTJ Ends (3)
 - NACE (Page 43)



MATERIALS OF CONSTRUCTION

COMPONENT	CARBON STEEL BODY	STAINLESS STEEL BODY
Body	A216 WCB	A351 CF8M
Disc/Stem Assembly	A351 CF8M/A479 316	A351 CF8M/A479 316
Seat	A351 CF8M	A351 CF8M
Spring (1)	A313 316	A313 316
Bushing	A479 316	A479 316
Gasket (2)	CFG/316 SS/Graphite	

Consult pages 44 and 45 for Pressure/Temperature ratings and soft seat materials.

Class	150 RF	300 RF	600 RF	900 RF	1500 RF	2500 RF
1"	A	4.50	4.75	5.25	*	*
	B	4.25	4.88	4.88		
	Weight	6.2	8.2	10.2		
	Cv	17	19	17		
	CP	0.85	0.85	0.85		
1 1/2"	A	5.75	6	6.63	7.38	7.38
	B	5	6.13	6.13	7	7
	Weight	13	16.2	19	30	30
	Cv	35	35	35	26	26
	CP	0.29	0.29	0.29	0.64	0.40
2"	A	6.25	6.50	7.25	8.25	8.25
	B	6	6.50	6.50	8.50	8.50
	Weight	17	23	25	56	56
	Cv	63	63	63	46	46
	CP	0.29	0.29	0.29	0.32	0.32
2 1/2"	A	7.00	7.25	*	9	9
	B	7.00	7.50		9.63	9.63
	Weight	31	41		78	78
	Cv	100	100		81	81
	CP	0.18	0.18		0.11	0.11
3"	A	7.50	7.88	8.63	9.13	9.88
	B	7.50	8.25	8.25	9.50	10.50
	Weight	33	46	57	87	110
	Cv	148	148	125	114	114
	CP	0.20	0.20	0.41	0.26	0.52
4"	A	8.50	9.13	10.13	10.63	11.38
	B	9	10	10.75	11.50	12.25
	Weight	51	71.4	115	127	166
	Cv	260	267	237	217	192
	CP	0.49	0.48	0.54	0.49	0.67
5"	A	9.50	10.38	*	*	*
	B	10	11			
	Weight	72	89			
	Cv	415	415			
	CP	0.28	0.28			
6"	A	10	11	12.38	13	15.13
	B	11	12.50	14	15	15.50
	Weight	91	140	215	271	385
	Cv	620	620	549	549	441
	CP	0.41	0.39	0.46	0.46	0.42

Class	150 RF	300 RF	600 RF	900 RF	1500 RF	2500 RF
8"	A	12	13	14.63	15.25	17.50
	B	13.5	15	16.50	18.50	19
	Weight	172	232	332	396	670
	Cv	1030	933	1115	851	742
	CP	0.41	0.45	0.45	0.50	0.55
10"	A	14	15.38	17.13	17.63	23
	B	16	17.50	20	21.50	23
	Weight	266	348	450	539	1281
	Cv	1630	1704	1782	1499	1231
	CP	0.55	0.52	0.35	0.64	0.53
12"	A	18	19.50	21.25	24	44.50
	B	19	20.50	22	24	26.50
	Weight	387	550	730	1324	2550
	Cv	2370	2370	2272	2063	1689
	CP	0.47	0.49	0.41	0.60	0.60
14"	A	21	23	22.44	*	*
	B	21	23	23.75		
	Weight	456	724	975		
	Cv	3500	3465	3369		
	CP	0.52	0.43	0.43		
16"	A	22.50	24	26	25.81	*
	B	23.50	25.5	27	27.75	*
	Weight	700	1035	1450	1940	
	Cv	4600	4600	5100	4950	
	CP	0.51	0.59	0.59	0.57	
18"	A	24	24	*	*	*
	B	25	30.88			
	Weight	753	1367			
	Cv	*	*			
	CP	0.59	0.59			
20"	A	24	24	30	*	*
	B	27.50	30.50	32		
	Weight	1442	1686	2636		
	Cv	*	*	*		
	CP	0.49	0.55	0.59		
24"	A	28	28	29.33	*	*
	B	32	36	37		
	Weight	1571	2514	3470		
	Cv	*	*	*		
	CP	0.44	0.46	0.57		
30"	A		36			
	B		43			
	Weight		4570			
	Cv		*			
	CP		0.50			

- Notes:**
1. Inconel® X-750 spring is available.
 2. CFG corrugated flexible graphite (Class 150 & 300), 316 SS/Graphite Spiral Wound (Class 600 & up)
 3. Contact DFT for availability.
- * Consult DFT for valve availability.

All dimensions are in inches. Weights are in pounds. For metric measurements, visit www.dft-valves.com. CP: Cracking Pressure (psig)