

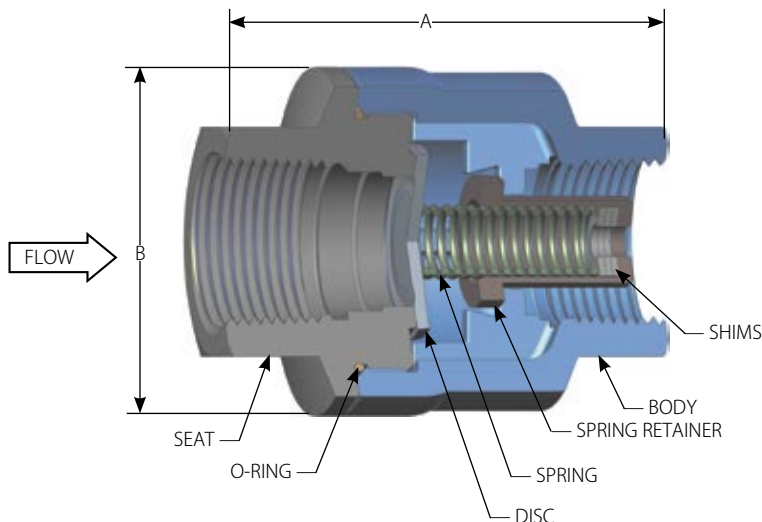
# SCV-R®

The **SCV-R Check Valve** is a non-slam spring-assisted check valve designed for applications requiring “higher cracking pressures” than the DFT Model SCV® check valve. The SCV-R check valve is a self-contained check valve that installs directly in a pipeline and contains all of the proven features of the SCV check valve.



## FEATURES:

- 1/2" to 2" Line size
- 750 CWP
- NPT & SW ends
- Stainless steel construction
- Inconel® X-750 spring
- Spring-assisted silent closing, non-slam
- Cracking Pressures: 0.8 to 40.8 psig (See chart)
- Zelon® "O" ring body seal
- Horizontal or vertical installation
- Body guided disc
- Tight shutoff lapped disc & seat
- Easy maintenance
- Versatile
- Options:
  - 316 SS springs
  - Body seal weld
- Soft seat
- Alloy 20 body & seat (ASME 300)
- Hastelloy® C body & seat (ASME 300)
- NPT x socket weld ends
- Repair kits
- Field conversion kits



Consult pages 44 and 45 for Pressure/Temperature ratings and soft seat materials.

# SCV-R®

## PRESSURE TEMPERATURE RATING (PSIG) (2)

Temp. (F°)	750 CWP
100	750
200	645
250	610
300	580
400	535
470	510

## MATERIALS OF CONSTRUCTION

COMPONENT	750 CWP
Body	A351 CF8M
Seat (1)	A351 CF8M
Disc	A240 316
Spring	Inconel® X-750
"O" Ring	Zelon (470°F max.)
Spring Retainer	A479 316
Shims	A240 316

Class	750 CWP	
<b>1/2"</b>	<b>A</b>	2.68
	<b>B</b>	1.62
	<b>Weight</b>	1.1
	<b>Cv</b>	6
	<b>CP</b>	1 to 25
<b>3/4"</b>	<b>A</b>	3
	<b>B</b>	2.13
	<b>Weight</b>	1.5
	<b>Cv</b>	10
	<b>CP</b>	0.80 to 20
<b>1"</b>	<b>A</b>	3.32
	<b>B</b>	2.54
	<b>Weight</b>	1.9
	<b>Cv</b>	17
	<b>CP</b>	1.2 to 23.5
<b>1 1/4"</b>	<b>A</b>	3.87
	<b>B</b>	3.06
	<b>Weight</b>	3.9
	<b>Cv</b>	33
	<b>CP</b>	7.7 to 22
<b>1 1/2"</b>	<b>A</b>	4.75
	<b>B</b>	3.44
	<b>Weight</b>	4.7
	<b>Cv</b>	36
	<b>CP</b>	1.4 to 40.8
<b>2"</b>	<b>A</b>	5
	<b>B</b>	4.4
	<b>Weight</b>	7.7
	<b>Cv</b>	64
	<b>CP</b>	0.9 to 21.4

Not recommended for use on discharge of reciprocating compressors.

Contact DFT for other cracking pressures.

- Notes:**
1. Soft seats are available for bubble tight shutoff. See chart. Body seal and soft seat material are the same unless otherwise requested.
  2. ASME B16.34-2013

All dimensions are in inches. Weights are in pounds. For metric measurements, visit [www.dft-valves.com](http://www.dft-valves.com). CP: Cracking Pressure (psig)

THREADED VALVES