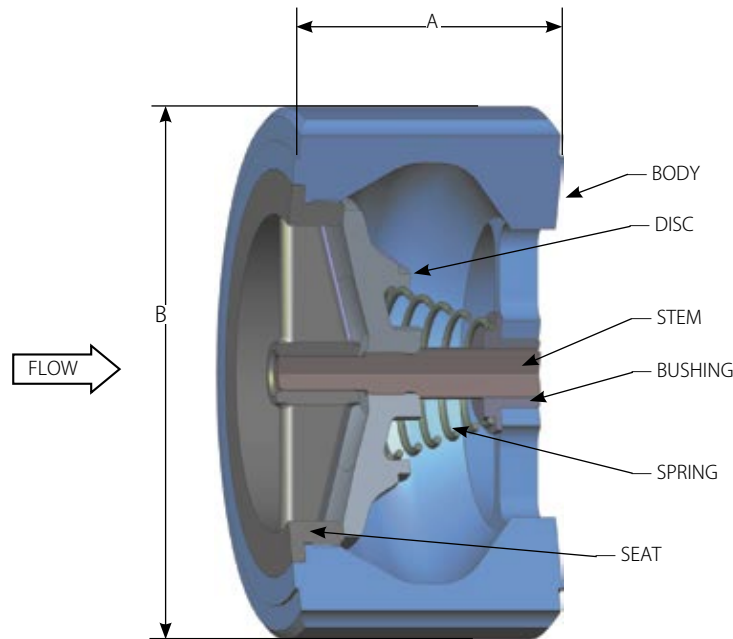


The **DFT® Model WLC Wafer Style Check Valve** is a lightweight, spring-assisted, center-guided, non-slam check valve that provides reliable, low-maintenance service for a wide range of fluids and pressure/ temperature combinations. The joint between the seat ring and body is sealed by the flange gasket upon installation preventing any leakage through the joint when the valve is in service.



## FEATURES:

- Wafer design
- Standard body material:
  - A216 Grade WCB carbon steel
  - A351 CF8M stainless steel
- Optional body materials:
  - Alloy 20
  - Hastelloy®
  - Inconel® 625
  - Duplex SS
  - Titanium
- Lightweight
- Spring-assisted silent closing
- Center-guided/Dual-guided stem
- Horizontal or vertical installation
- Protected spring
- ASME Class 150 to 1500
  - 1" to 10" Line Size
  - 316 SS trim
- Ends:
  - Wafer RF
  - Wafer RTJ
- MSS-SP 61 seat leakage
- MSS 126 Face-to-Face dimension:
  - Class 150 & 300 RF
- API 594 Face-to-Face dimension:
  - Class 600 RF
  - Class 900 & 1500 RF
- Axial flow
- Nozzle style
- Options:
  - Inconel® X-750 spring
  - Soft seat
  - Custom sizing - low flow
  - Stellite® trim
  - NACE (page 43)
  - Severe Service
  - Tapped lug design available (Contact DFT for availability)



## MATERIALS OF CONSTRUCTION

| COMPONENT          | CARBON STEEL BODY  | STAINLESS STEEL BODY |
|--------------------|--------------------|----------------------|
| Body               | A216 Grade WCB     | A351 CF8M            |
| Disc/Stem Assembly | A351 CF8M/A479 316 | A351 CF8M/A479 316   |
| Seat               | A351 CF8M          | A351 CF8M            |
| Spring             | A313 316           | A313 316             |
| Bushing            | A479 316           | A479 316             |

Consult pages 44 and 45 for Pressure/Temperature ratings and soft seat materials.

| Class         |               | 150 RF | 300 RF | 600 RF | 900 RF | 1500 RF | 1500 RTJ | 2500 RTJ |
|---------------|---------------|--------|--------|--------|--------|---------|----------|----------|
| <b>1"</b>     | <b>A</b>      | 2      | 2      | 2.38   | 2.38   | 2.38    | 2.38     | 2.38     |
|               | <b>B</b>      | 2.88   | 2.88   | 2.88   | 3.13   | 3.13    | 3.13     | 3.25     |
|               | <b>Weight</b> | 2      | 2      | 2.50   | 4      | 4       | 4        | 4.75     |
|               | <b>Cv</b>     | 19     | 19     | 19     | 19     | 19      | 19       | 19       |
|               | <b>CP</b>     | 0.36   | 0.36   | 0.36   | 0.44   | 0.44    | 0.44     | 0.44     |
| <b>1 1/2"</b> | <b>A</b>      | 2.50   | 2.50   | 2.88   | 2.88   | 2.88    | 2.88     | *        |
|               | <b>B</b>      | 3.75   | 3.75   | 3.75   | 3.88   | 3.88    | 3.88     |          |
|               | <b>Weight</b> | 4      | 4      | 6.5    | 8      | 8       | 7        |          |
|               | <b>Cv</b>     | 36     | 36     | 23     | 23     | 23      | 23       |          |
|               | <b>CP</b>     | 0.17   | 0.17   | 0.44   | 0.54   | 0.54    | 0.54     |          |
| <b>2"</b>     | <b>A</b>      | 2.63   | 2.63   | 2.38   | 2.75   | 2.75    | 3.13     | 2.81     |
|               | <b>B</b>      | 4.38   | 4.38   | 4.38   | 5.50   | 5.50    | 5.50     | 5.75     |
|               | <b>Weight</b> | 4      | 4      | 5      | 14     | 14      | 14       | 17       |
|               | <b>Cv</b>     | 57     | 57     | 53     | 48     | 48      | 48       | 35       |
|               | <b>CP</b>     | 0.24   | 0.24   | 0.26   | 0.24   | 0.24    | 0.24     | 0.97     |
| <b>2 1/2"</b> | <b>A</b>      | 2.88   | 2.88   |        | 3.63   | 3.63    | 3.63     |          |
|               | <b>B</b>      | 5.13   | 5.13   |        | 6.50   | 6.50    | 6.50     |          |
|               | <b>Weight</b> | 10     | 10     |        | 20     | 20      | 20       |          |
|               | <b>Cv</b>     | 95     | 95     |        | 70     | 70      | 70       |          |
|               | <b>CP</b>     | 0.37   | 0.37   |        | 0.18   | 0.18    | 0.18     |          |
| <b>3"</b>     | <b>A</b>      | 3.13   | 3.13   | 2.88   | 3.25   | 3.25    | 3.25     | 3.38     |
|               | <b>B</b>      | 5.75   | 5.75   | 5.75   | 6.75   | 6.75    | 6.75     | 7.50     |
|               | <b>Weight</b> | 12     | 12     | 11     | 21     | 21      | 21       | 33       |
|               | <b>Cv</b>     | 140    | 140    | 133    | 113    | 113     | 113      | 80       |
|               | <b>CP</b>     | 0.19   | 0.19   | 0.26   | 0.19   | 0.19    | 0.19     | 0.56     |
| <b>4"</b>     | <b>A</b>      | 4      | 4      | 3.13   | 4      | 4       | 4.13     |          |
|               | <b>B</b>      | 7.13   | 7.13   | 7.50   | 8.19   | 8.19    | 8.25     |          |
|               | <b>Weight</b> | 20     | 20     | 21     | 38     | 38      | 38       |          |
|               | <b>Cv</b>     | 265    | 265    | 234    | 211    | 211     | 211      |          |
|               | <b>CP</b>     | 0.19   | 0.19   | 0.49   | 0.46   | 0.46    | 0.46     |          |
| <b>5"</b>     | <b>A</b>      | 4.63   | 4.63   |        | 6.25   | 6.25    |          |          |
|               | <b>B</b>      | 8.50   | 8.50   |        | 11.25  | 11.25   |          |          |
|               | <b>Weight</b> | 35     | 35     |        | 100    | 100     |          |          |
|               | <b>Cv</b>     | 360    | 360    |        | 370    | 370     |          |          |
|               | <b>CP</b>     | 0.29   | 0.29   |        | 0.58   | 0.58    |          |          |
| <b>6"</b>     | <b>A</b>      | 5.50   | 5.50   | 5.38   | 6.25   | 6.25    | 6.25     |          |
|               | <b>B</b>      | 9.88   | 9.88   | 10.38  | 11.25  | 11.25   | 11.25    |          |
|               | <b>Weight</b> | 41     | 41     | 68     | 100    | 100     | 100      |          |
|               | <b>Cv</b>     | 506    | 506    | 441    | 370    | 370     | 370      |          |
|               | <b>CP</b>     | 0.45   | 0.45   | 0.66   | 0.58   | 0.58    | 0.58     |          |
| <b>8"</b>     | <b>A</b>      | 6.50   | 6.50   | 6.50   | 8      | 8.13    | 8.12     |          |
|               | <b>B</b>      | 12.13  | 12.13  | 12.63  | 14.05  | 13.81   | 13.86    |          |
|               | <b>Weight</b> | 86     | 86     | 134    | 237    | 244     | 237      |          |
|               | <b>Cv</b>     | 860    | 860    | 780    | 620    | 620     | 620      |          |
|               | <b>CP</b>     | 0.56   | 0.56   | 0.56   | 0.66   | 0.66    | 0.66     |          |
| <b>10"</b>    | <b>A</b>      | 8.25   |        |        | 9.75   | 9.75    | 9.75     |          |
|               | <b>B</b>      | 17.63  |        |        | 17     | 17      | 17       |          |
|               | <b>Weight</b> | 138    |        |        | 430    | 430     | 426      |          |
|               | <b>Cv</b>     | 1355   |        |        | 755    | 755     | 755      |          |
|               | <b>CP</b>     | 0.45   |        |        | 0.61   | 0.61    | 0.61     |          |

Consult DFT for 2500 RF availability.

All dimensions are in inches. Weights are in pounds. For metric measurements, visit [www.dft-valves.com](http://www.dft-valves.com). CP: Cracking Pressure (psig)