

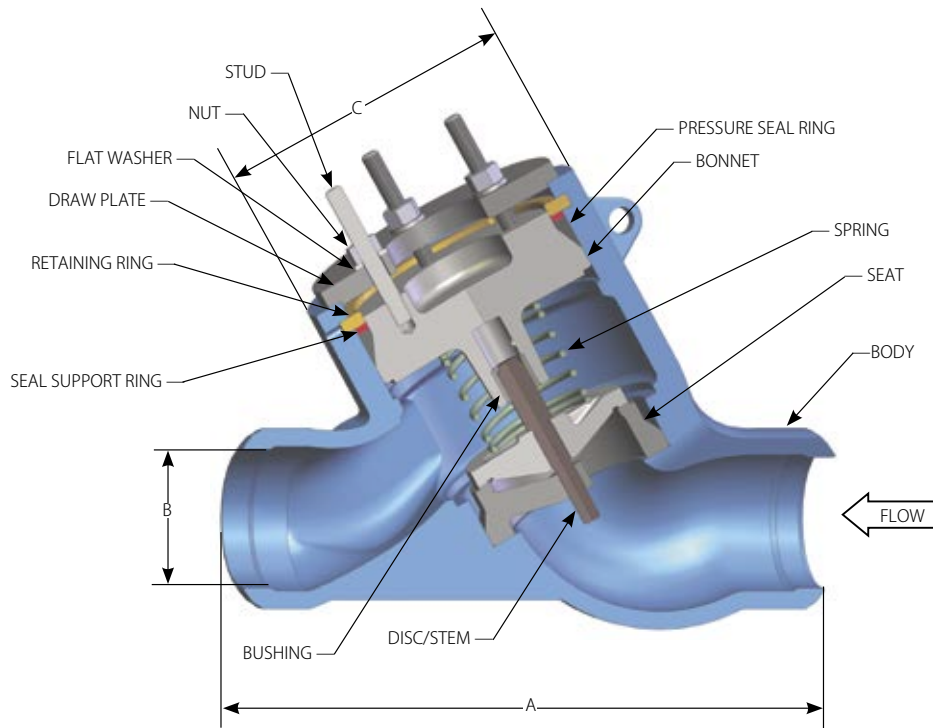
# Y-Calibur®

The **DFT® Y-Calibur® Silent Check Valve** is an in line repairable, spring-assisted, center guided, non-slam check valve that provides reliable, low-maintenance service for a wide range of fluids and pressure/temperature combinations. The valve consists of a body, bonnet, gasket, seat, spring, disc with stem and guide bushing. Y-Calibur check valves are available in a wide range of sizes and pressure ratings and in a variety of materials to meet most check valve requirements.



## FEATURES:

- ASME B16.10 Face-to-Face dimensions
- Spring-assisted silent closing, non-slam
- 4" to 14" Line size \*
- ASME Class 600 to 2500 (See chart)
- Standard body materials:
  - A216 WCB carbon steel
  - A351 CF8M stainless steel
- Optional body materials:
  - Duplex SS
  - Hastelloy®
  - Inconel® 600
  - Monel®
- Standard ends:
  - Butt weld
- Stainless steel trim
- Other materials available
- Center-guided
- Dual-guided stem & disc
- Horizontal or vertical installation
- Tight shutoff
- Protected spring
- Fully repairable in-line
- Versatile
- Axial flow/non-slam design
- Options:
  - Inconel® X-750 Spring
  - Custom sizing low flow
  - Severe service trim
  - Stellite® trim
  - NACE (See page 43)



\* other sizes available on application

Consult pages 44 and 45 for Pressure/Temperature ratings and soft seat materials.

# Y-Calibur®

## MATERIALS OF CONSTRUCTION

COMPONENT	CARBON STEEL BODY	STAINLESS STEEL BODY
Body and Bonnet	A216 WCB (3)	A351 CF8M (3)
Disc/Stem Assembly	A351 CF8M/A479 316	A351 CF8M/A479 316
Seat	A351 CF8M	A351 CF8M
Spring (1)	A313 316	A313 316
Bushing	A479 316	A479 316
Bolting (2)	A193-B7 (Stud) & A194-2H (Nut)	
Seal	Graphite	

Class	600	900	1500	2500	
<b>4"</b>	<b>A</b>	17	18	21.5	
	<b>B</b>	3.82	3.43	3.15	
	<b>C</b>	8.38	8.88	10.00	
	<b>Weight</b>	103	150	211	
	<b>Cv</b>	265	265	265	
	<b>CP</b>	0.84	0.84	0.84	
<b>6"</b>	<b>A</b>	22	24	27.8	36
	<b>B</b>	5.76	5.18	4.89	4.90
	<b>C</b>	11.63	12.25	13.75	15
	<b>Weight</b>	250	312	479	965
	<b>Cv</b>	685	685	685	617
	<b>CP</b>	0.73	0.73	0.73	0.73
<b>8"</b>	<b>A</b>	26	29	32.8	40.25
	<b>B</b>	7.62	6.81	6.87	6.90
	<b>C</b>	14.50	15.38	15.25	21
	<b>Weight</b>	461	597	1020	1995
	<b>Cv</b>	1050	1050	1050	945
	<b>CP</b>	0.84	0.84	0.84	0.84
<b>10"</b>	<b>A</b>	31	33	39	50
	<b>B</b>	9.56	8.75	8.5	8.75
	<b>C</b>	18.50	19.63	21.88	27
	<b>Weight</b>	801	1084	1886	3845
	<b>Cv</b>	1650	1650	1650	1485
	<b>CP</b>	1.11	1.11	1.11	1.11
<b>12"</b>	<b>A</b>	33	38	44.5	
	<b>B</b>	11.37	10.75	10.12	
	<b>C</b>	22.38	22.38	24.00	
	<b>Weight</b>	1058	1440	2625	
	<b>Cv</b>	2400	2400	2400	
	<b>CP</b>	1.24	1.24	1.24	

Contact DFT for additional sizes/pressure classes. (4)

- Notes:**
1. Inconel® X-750 spring is available.
  2. Contact DFT for stainless steel or other bolting materials.
  3. Mating pipe schedule required when ordering.
  4. CP values listed are standard, other CP's are available.

All dimensions are in inches. Weights are in pounds. For metric measurements, visit [www.dft-valves.com](http://www.dft-valves.com). CP: Cracking Pressure (psig)

IN-LINE REPAIRABLE VALVES