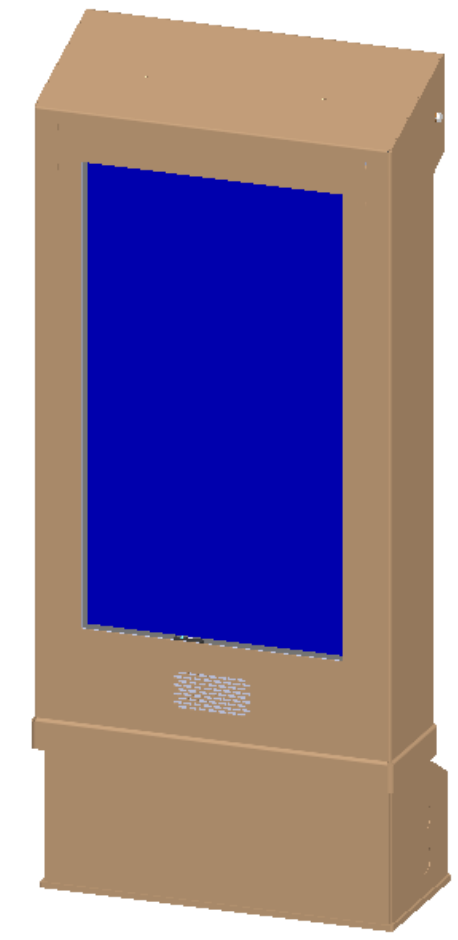
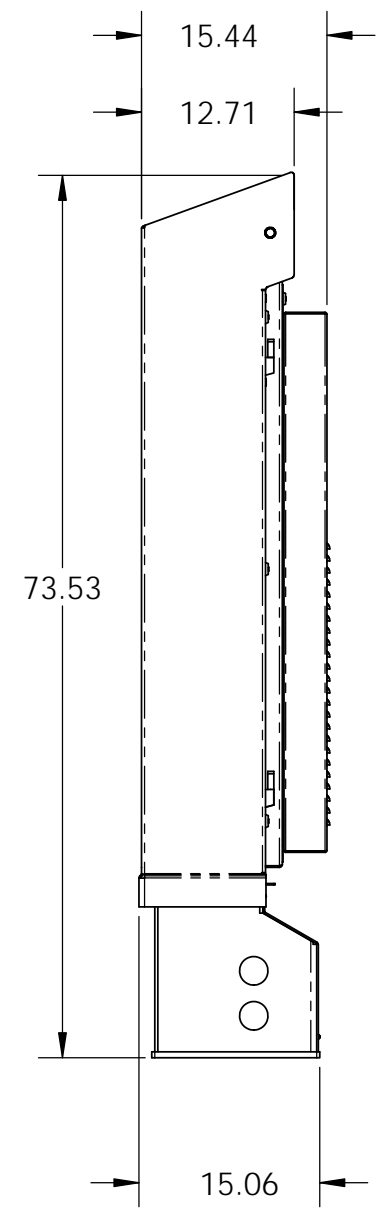
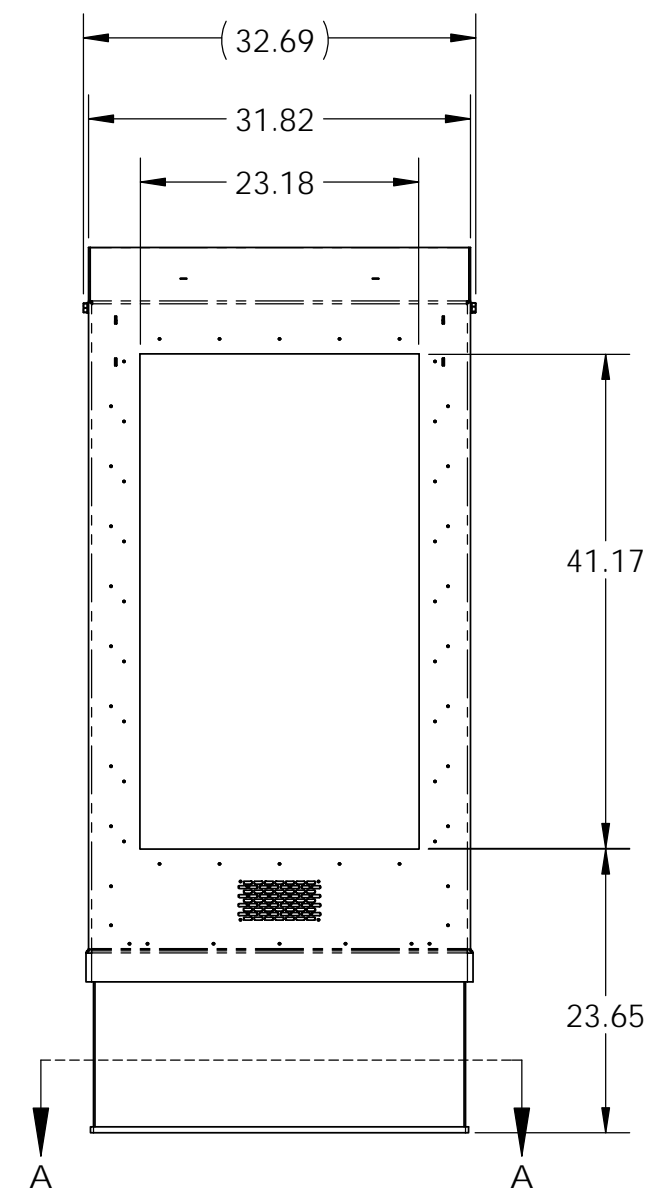


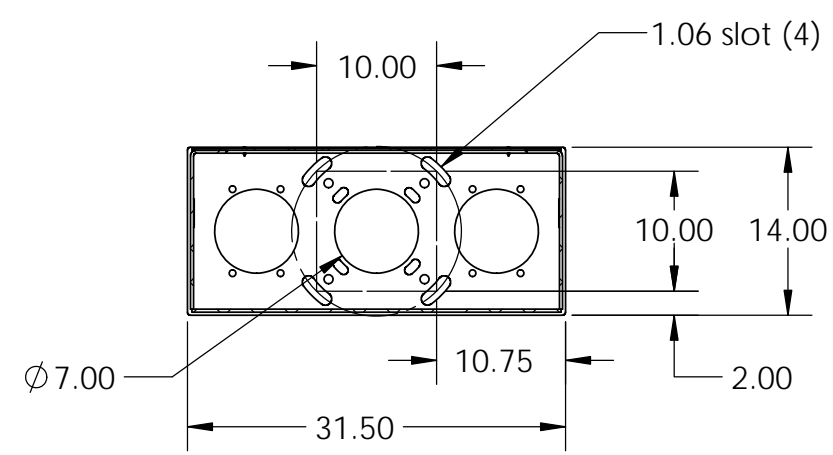
REV.	DESCRIPTION	DATE
-	preliminary release	8/26/2014



VSA-1x1-FANCOOL

NOTES:

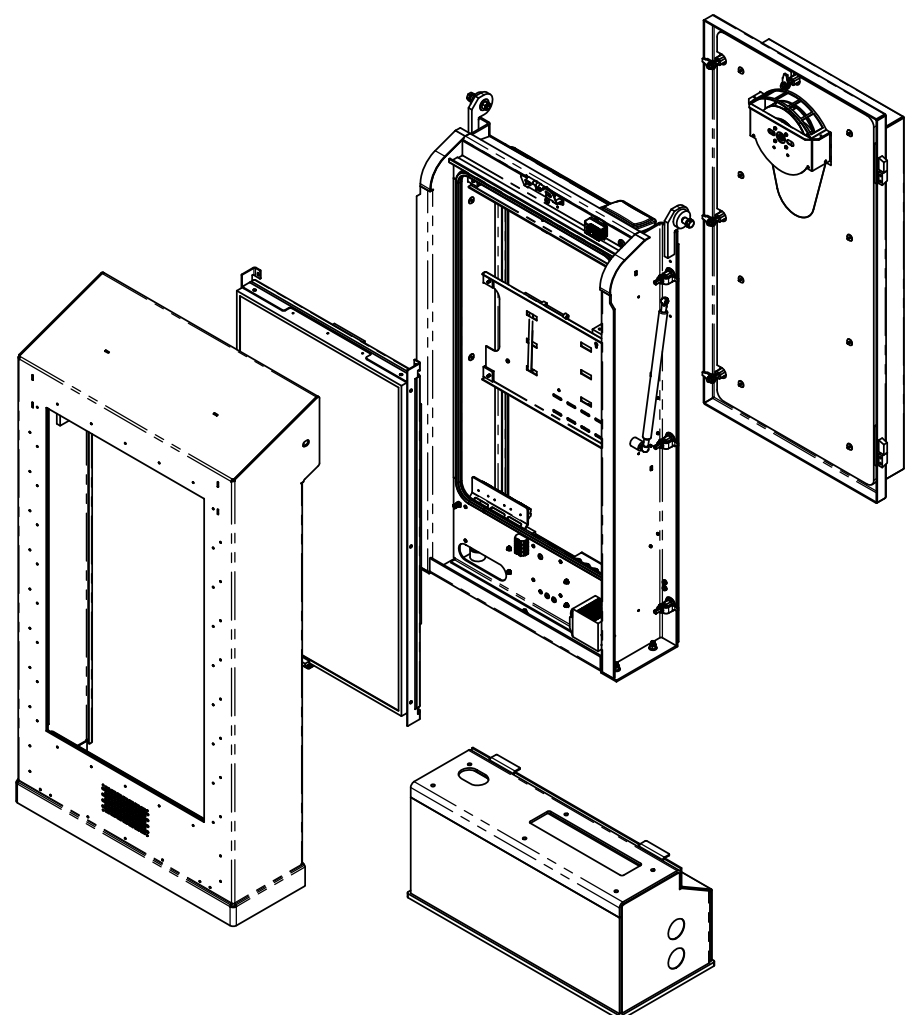
- 1) The enclosure body is marine grade aluminum sheet and structural aluminum welded to provide a water tight seal, with a polyester powder paint finish.
- 2) The pedestal assembly is also sheet and structural aluminum with a matching polyester powder paint finish.
- 3) The viewing window is laminated glass with anti-reflective coatings on both sides, providing 99% light transmission and UV protection.
- 4) Cooling is provided by a rear mounted air filtration unit supplemented by an internal circulating fan.
- 5) The front cover is top hinged and supported by gas springs for front access to the display. A rear door provides access to internal electronics, as well as, power and data entry locations.



SECTION A-A

PROPRIETARY AND CONFIDENTIAL
 THE INFORMATION CONTAINED IN THIS DRAWING IS THE SOLE PROPERTY OF ITSENCLLOSURES. ANY REPRODUCTION IN PART OR AS A WHOLE WITHOUT THE WRITTEN PERMISSION OF ITSENCLLOSURES IS PROHIBITED.

		UNLESS OTHERWISE SPECIFIED: DIMENSIONS ARE IN INCHES [mm] TOLERANCES: (include finish) ANGULAR: MACH ± .20° BEND ± 1.0° TWO PLACE DECIMAL ± .030 THREE PLACE DECIMAL ± .010 HOLE SIZES .xxx +.010 -.000		NAME	DATE	ITSENCLLOSURES TITLE: 1x1 QSR Display Enclosure Gen-3 "Preview Board"
		DRAWN	eec	8/26/2014		
		CHECKED				
		ENG APPR.				
		MFG APPR.				
		INTERPRET GEOMETRIC TOLERANCING PER:		COMMENTS:		
		MATERIAL VIEWSTATION QSR 1X1				
		FINISH Polyester powder				
NEXT ASSY	USED ON			SIZE	DWG. NO.	REV
				B	DATA X7811-00	-
APPLICATION		DO NOT SCALE DRAWING		SCALE: 1:16	WEIGHT:	SHEET 1 OF 3



Application parameters for VSA-1x1-FANCOOL enclosure

VSA-1x1-FANCOOL, display enclosure, UL-listed pending, Type 3R protection rating with ambient air cooling.

- Viewing opening47" diagonal, Portrait
- Enclosure assembly outside dimensions..... 31.8" W x 73.8" H x 15.5" D
- Video input.....VGA, DVI, HDMI, (see display specs)
- Electrical requirement..... 1 circuit, 120 VAC, 20 Amps
- Cooling circuit (load) 3.5 Amps
- Electronic circuit (load).....2.5 Amps (display only)
- Complete assembly weight, with display..... 310 Lbs.

- Required LCD DISPLAY.....LG Electronics 47WX50MF
- Display dimensions42.16" W x 24.25" H x 6.18" D
- Display brightness, MAX1700 / 2100 nit

INSTALLATION ENVIRONMENT

Outdoor wet locations, with direct solar exposure

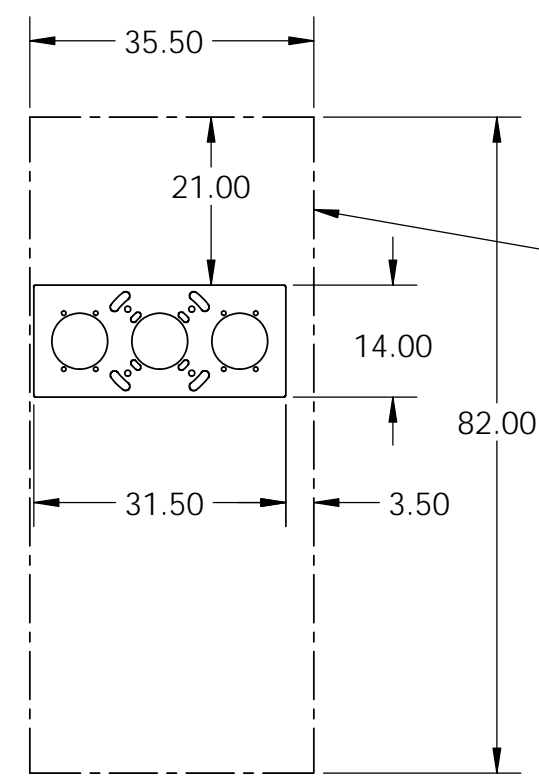
Ambient Temperature range

VSA-1x1-FANCOOL.....-28° to 43°C (-20° to 110°F)

Warranty..... 3 years standard on all components

Small format PC or media players may be installed inside the enclosure, subject to their heat tolerance of 50C degrees. MAX media player size 8"x8"x2" for installation inside this enclosure.

This enclosure is also designed to support the use of "RapidRun" cables and or Cat-5 based extenders for media players remote from the enclosure.



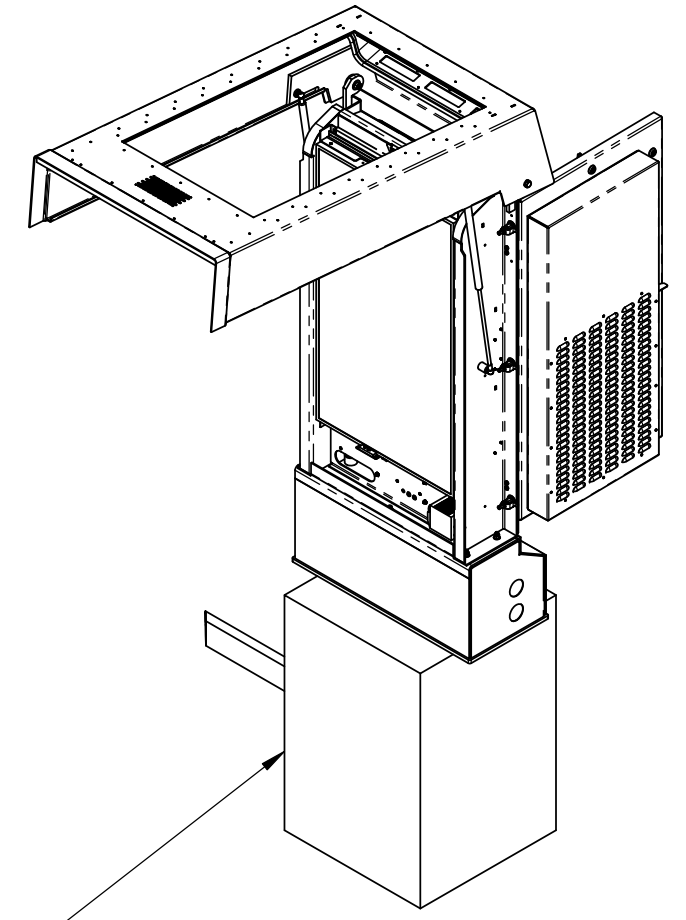
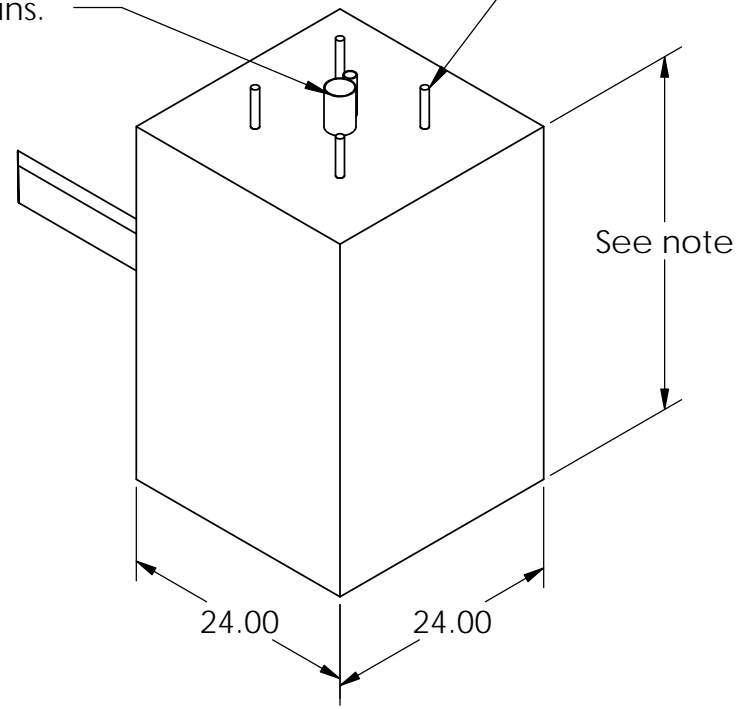
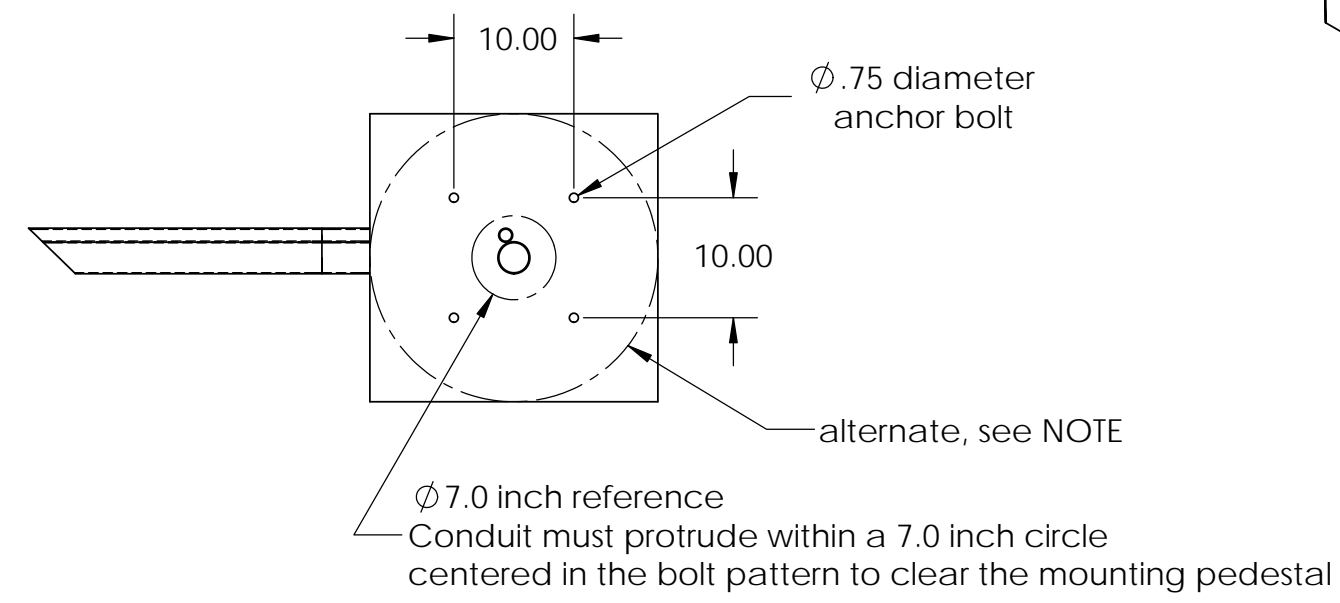
This block represents the minimum space footprint of the 1x1 enclosure with front and rear covers open.

PROPRIETARY AND CONFIDENTIAL
 THE INFORMATION CONTAINED IN THIS DRAWING IS THE SOLE PROPERTY OF ITSENCLOSURES. ANY REPRODUCTION IN PART OR AS A WHOLE WITHOUT THE WRITTEN PERMISSION OF ITSENCLOSURES IS PROHIBITED.

		UNLESS OTHERWISE SPECIFIED: DIMENSIONS ARE IN INCHES [mm] TOLERANCES: (include finish) ANGULAR: MACH ± .20° BEND ± 1.0° TWO PLACE DECIMAL ± .030 THREE PLACE DECIMAL ± .010 HOLE SIZES .xxx +.010 -.000		NAME	DATE	ITSENCLOSURES TITLE: 1x1 QSR Display Enclosure Gen-3 "Preview Board"
		DRAWN	eec	8/26/2014		
		CHECKED				
		ENG APPR.				
		MFG APPR.				
		INTERPRET GEOMETRIC TOLERANCING PER:		Q.A.		
		MATERIAL VIEWSTATION QSR 1X1		COMMENTS:		
		FINISH Polyester powder				
NEXT ASSY	USED ON			SIZE	DWG. NO.	REV
				B	DATA X7811-00	-
APPLICATION		DO NOT SCALE DRAWING		SCALE: 1:16	WEIGHT:	SHEET 2 OF 3

Conduit:
 Electrical power conduit to support
 (1 or 2 circuits) 120VAC, 20 Amps
 also
 A separate conduit for data cables that is sized to
 support the planned network and video cable runs.

Minimum 3/4" diameter steel threaded bolts
 16 inches deep (4) see pattern

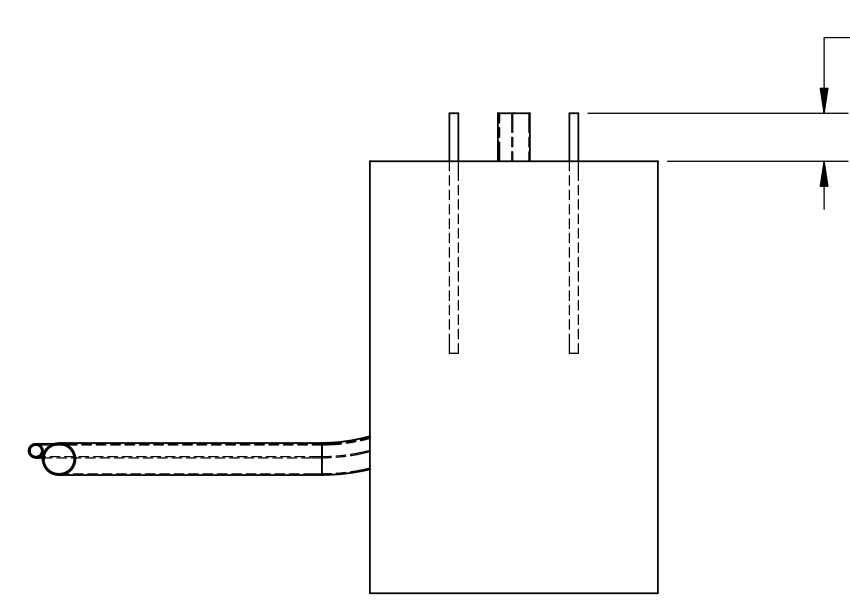


4.0 inch bolt length to allow use of leveling nuts
 2.5 inch minimum length for mounting directly to concrete surface

NOTE:
 Concrete footing with mass and depth as required
 by local codes, exceeding local frost depth but not
 less than 24" deep.

(24" diameter SONOTUBE or equal is acceptable)

Finish pad at or above grade.
 Finish level if direct mounting is required.



PROPRIETARY AND CONFIDENTIAL
 THE INFORMATION CONTAINED IN THIS
 DRAWING IS THE SOLE PROPERTY OF
 ITSENCLUSURES. ANY REPRODUCTION IN
 PART OR AS A WHOLE WITHOUT THE
 WRITTEN PERMISSION OF ITSENCLUSURES
 IS PROHIBITED.

		UNLESS OTHERWISE SPECIFIED:		NAME		DATE	
		DIMENSIONS ARE IN INCHES [mm]		DRAWN		eec 8/26/2014	
		TOLERANCES: (include finish)		CHECKED			
		ANGULAR: MACH ± .20° BEND ± 1.0°		ENG APPR.			
		TWO PLACE DECIMAL ± .030		MFG APPR.			
		THREE PLACE DECIMAL ± .010		Q.A.			
		HOLE SIZES .xxx +.010 -.000		COMMENTS:			
		INTERPRET GEOMETRIC TOLERANCING PER:				TITLE:	
		MATERIAL				1x1 QSR Display Enclosure	
		VIEWSTATION QSR 1X1				Gen-3 "Preview Board"	
		FINISH				SIZE	
		Polyester powder				DWG. NO.	
NEXT ASSY		USED ON				DATA X7811-00	
APPLICATION		DO NOT SCALE DRAWING				REV	
						-	
				SCALE: 1:16		WEIGHT:	
						SHEET 3 OF 3	