

# MA2010

## ARC WELDING

### KEY BENEFITS

NEW! Extended 2,010 mm reach

NEW! 10 kg payload for welding applications

NEW! Large 50 mm thru-hole for process utilities

NEW! Contoured arm design improves torch access

Proven torch cable reliability; backed by industry's first two-year torch cable warranty

### SPECIFICATIONS

10 kg payload

2,010 mm horizontal reach

3,649 mm vertical reach

±0.08 mm repeatability

Floor, wall or ceiling mounted

### CONTROLLERS



DX200



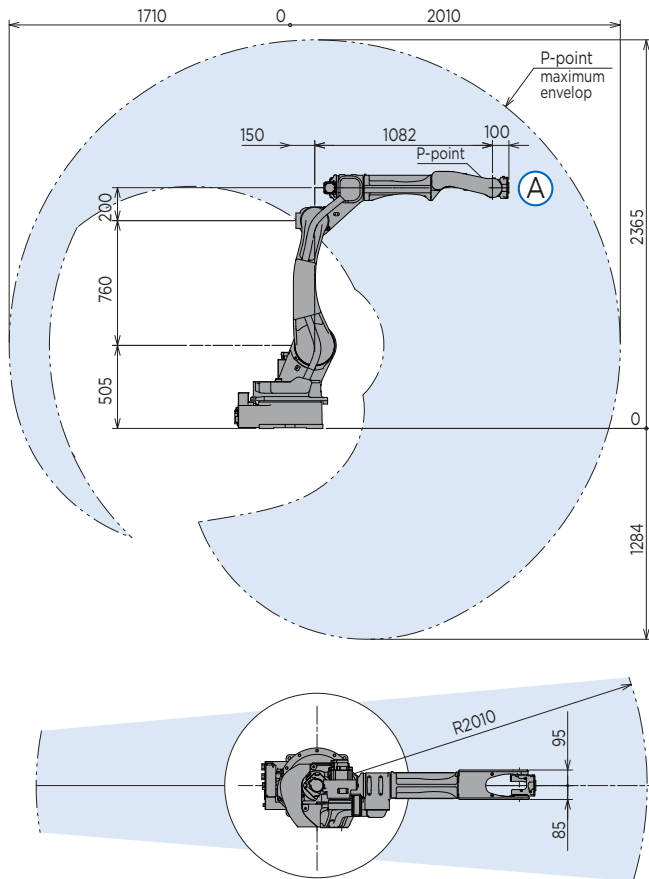
FS100



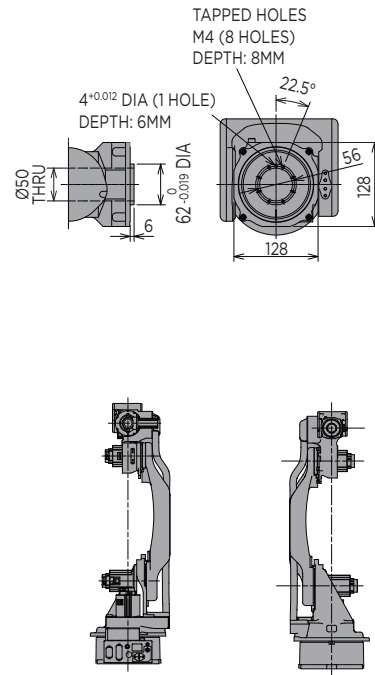
MLX100

- Slim, extended reach six-axis MA2010 welding robot increases productivity and achieves highest welding performance.
- Large, 50 mm thru-hole for torch cabling, sensor wires and water cooling. Eliminates cable interference, simplifies programming and reduces cable wear.
- 10 kg payload supports motorized torches and sensors.
- Hollow upper arm maintains optimum bend radius of welding torch cable, maximizing weld performance. T-axis can rotate torch ±210 degrees without cable interference.
- New, contoured arm design reduces interference with jigs and large parts.
- Optimized mounting area for feeder reduces interference.
- Symmetric wrist profile provides equal torch access to both sides of part.
- Ideally suited for use in high-density workcells with multiple robots working in close proximity.
- Extended reach is ideal for agriculture/construction machinery or automotive frames.
- Slim arm allows easy access to parts in tight spots and avoids potential interference with fixtures.
- Also available with increased 24 kg payload capacity in slightly shorter (1,730 mm) MH24 configuration for material handling.

# MA2010 ROBOT



## VIEW A



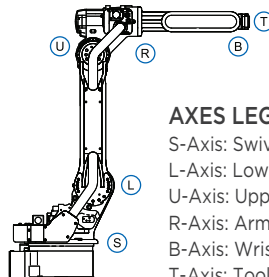
All dimensions are metric (mm) and for reference only.  
Request detailed drawings for all design/engineering requirements.

## SPECIFICATIONS

Axes	Maximum motion range [°]	Maximum speed [°/sec.]	Allowable moment [N•m]	Allowable moment of inertia [kg•m <sup>2</sup> ]	Controlled axes	6
S	±180	197	-	-	Maximum payload [kg]	10
L	+155/-105	190	-	-	Repeatability [mm]	±0.08
U	+220/-170	210	-	-	Horizontal reach [mm]	2,010
R	±150	410	22	0.65	Vertical reach [mm]	3,649
B	+90/-135	410	22	0.65	Temperature [°C]	0 to +45
T	±210	610	9.8	0.17	Humidity [%]	20 - 80
					Weight [kg]	280
					Power rating [kVA]	2.0
					Internal I/O cable (feeder control)	14 conductors
					Internal gas line	(2) 3/8" connection

## OPTIONS

- Extended length manipulator cables
- Robot risers and base plates
- Wide variety of fieldbus cards
- Vision systems
- Seam tracking and seam finding packages
- Variety of weld packages



### AXES LEGEND

- S-Axis: Swivel Base
- L-Axis: Lower Arm
- U-Axis: Upper Arm
- R-Axis: Arm Roll
- B-Axis: Wrist Bend
- T-Axis: Tool Flange

Yaskawa America, Inc.  
Motoman Robotics Division

100 Automation Way  
Miamisburg, OH 45342  
Tel: 937.847.6200  
Fax: 937.847.6277

[motoman.com](http://motoman.com)