

MPL800 II

PALLETIZING

KEY BENEFITS

High-speed, 4-axis palletizing robot with performance-driven design

High allowable moment of inertia handles unbalanced loads effectively

Highly reliable

SPECIFICATIONS

800 kg maximum payload

3,024 mm vertical reach

3,159 mm horizontal reach

±0.5 mm repeatability

CONTROLLERS



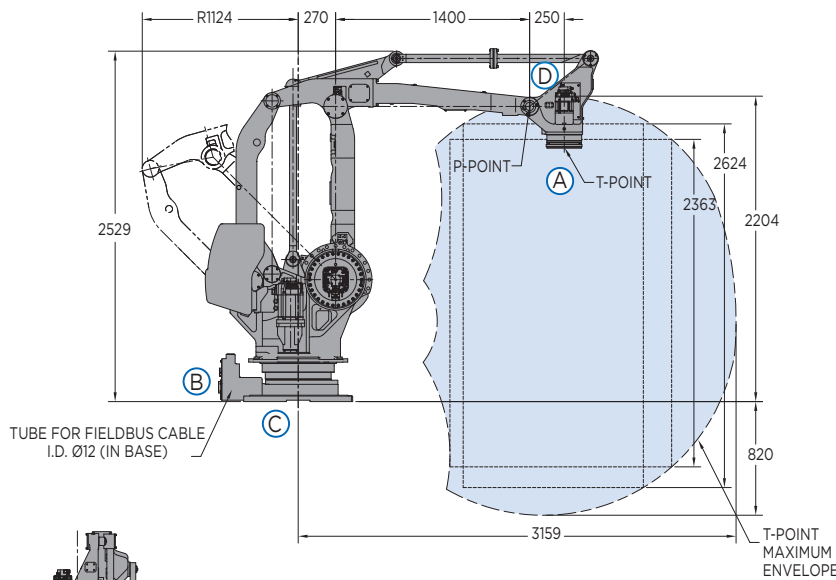
DX200



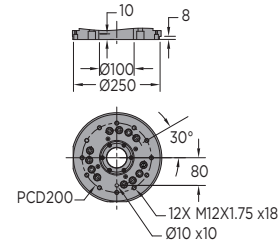
MLX300*

- Highly versatile, this 4-axis robot is ideal for a variety of palletizing applications, order picking and other logistical tasks for end-of-line or distribution center automation.
- Extensive 3,024 mm vertical reach combined with 3,159 mm horizontal reach enables this robot to build 102 in. tall trailer-high loads on standard 48 in. x 40 in. pallet.
- Hollow wrist provides a wide range of wrist motion without interference.
- T-axis features high allowable moment of inertia; asymmetric loads are handled effectively without compromising speed or performance.
- Internally routed airlines and cables from base to the end-of-arm tool maximizes reliability.
- Cable installation tube facilitates fieldbus routing to the upper arm and/or gripper.
- Available with PalletSolver™, Yaskawa Motoman's operator-friendly palletizing software suite for fast and easy creation of palletizing patterns.
 - PalletSolver's offline pattern generation tool with intuitive graphical interface allows quick changeovers without halting production.
 - Highly customizable to each palletizing system.
 - Directly imports pallet patterns generated in widely-used TOPS® or CAPE software.

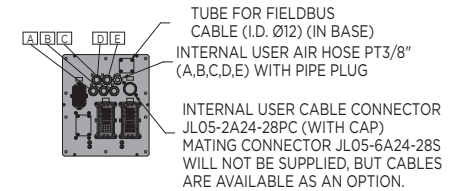
MPL800 II ROBOT



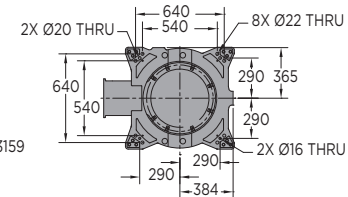
VIEW A



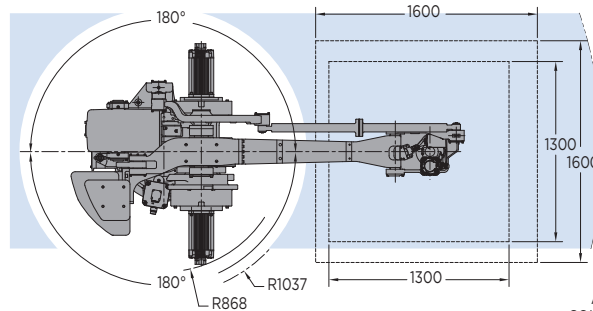
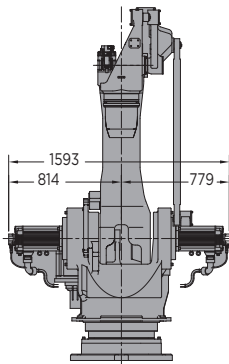
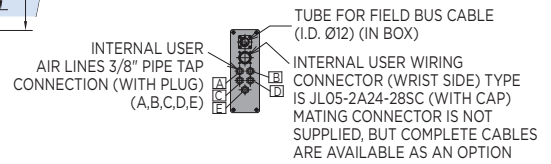
VIEW B



VIEW C



VIEW D



All dimensions are metric (mm) and for reference only.
Request detailed drawings for all design/engineering requirements.

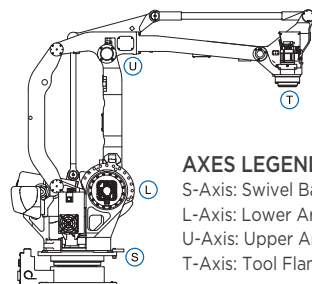
SPECIFICATIONS

Axes	Maximum motion range [°]	Maximum speed [°/sec.]	Allowable moment [N•m]	Allowable moment of inertia [kg•m ²]	Controlled axes	4
S	±180	65	-	-	Maximum payload [kg]	800
L	+90/-45	65	-	-	Repeatability [mm]	±0.5
U	+15.5/-120	65	-	-	Horizontal reach [mm]	3,159
T	±360	125	-	550	Vertical reach [mm]	3,024
					Protection (IP rating)	IP54
					Weight [kg]	2,550
					Power requirements	3-phase; 240/480/575 VAC at 50/60 Hz
					Power rating [kVA]	8.0

* The MLX300 software option is not available for use with arc or spot welding, coating, dispensing, cutting or other "path control" applications. MLX300 fieldbus cards, I/O cards and vision equipment must be purchased separately from the supplier. All peripherals are programmed using a PLC.

OPTIONS

- Extended length manipulator cables
- PalletSolver - revolutionary palletizing software
- MotoSight™ - easy to integrate vision software
- Robot risers and base plates
- Wide variety of fieldbus cards



AXES LEGEND
S-Axis: Swivel Base
L-Axis: Lower Arm
U-Axis: Upper Arm
T-Axis: Tool Flange

Yaskawa America, Inc.
Motoman Robotics Division

100 Automation Way
Miamisburg, OH 45342
Tel: 937.847.6200
Fax: 937.847.6277

motoman.com