

ArcWorld® IV-6000SL

with DX200 Controller

ARCWORLD IV-6000SL | ARCWORLD IV-6200SL | ARCWORLD IV-6300SL

KEY BENEFITS

Space-saving “slim line” positioner limits workcell width to one meter wider than part span

Multiple robot configurations provide “HyperProductivity”

Robot, positioner and workcell covered by single warranty and industry-leading global service organization

Standard workcell is documented and supported by single source – Yaskawa Motoman

SPECIFICATIONS

755- or 1,255-kg payload

2- or 3-meter part span
(others available)

MotoMount fixture mounting

1,300 mm part turning diameter

ROBOTS



MA1440



MA2010



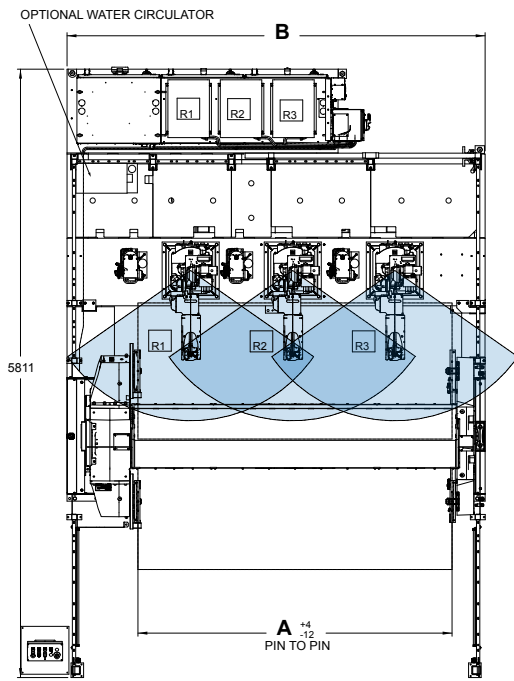
VA1400 II

- Common cell base supports fencing and provides an elevated platform for programmers. Removable deck plates provide access for cable routing.
- Controller(s), power source(s) and auxiliary equipment ships on the same base reducing cable connections and installation time.
- Twist-lock connectors are included on all interconnecting cables.
- Positioner base and cell base bolt together for easy layout and positive location. All bases have leveling bolts with lag provisions.
- Sliding interlocked door in rear of cell provides easy programming access.
- World’s fastest MA1440 arc welding robots can reduce cycle time by 15 percent; multiple robots can be combined for HyperProductivity®.
- Configuration options include the extended reach MA2010 or 7-axis VA1400 II welding robots.
- Enhanced safeguarding, including Functional Safety Unit (FSU), is fully compliant with latest robot safety standard (ANSI/RIA R15.06-2012).

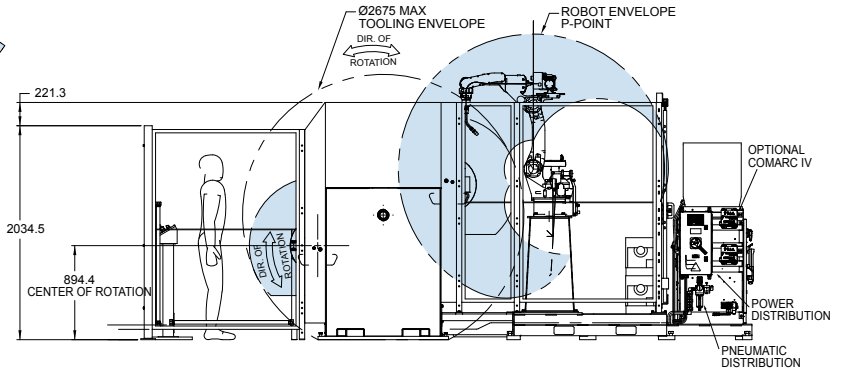
RM2 SLIM LINE POSITIONER SERIES

- Positioner available with 755- or 1,255-kg payload capacity.
- Fast positioner index times of 2.25 or 3.25 seconds.
- Patented MotoMount™ fixture mounting system facilitates fixture changes and extends life by reducing stresses in bearings.
- Provisions for utilities include a 41 mm tailstock thru-hole; standard slip rings allow continuous rotation for DeviceNet fixture signals and 1/2-inch air line.
- Standard workcells are provided with 2.0 or 3.0 meter spans and with 1.3-m turning diameter. Optional spans available from 1.5 to 4.5 meters.
- Easy-to-program RM2 positioner provides coordinated motion and infinite part positioning. The weld joint can be kept in a gravity-neutral welding plane, improving weld quality.
- Yaskawa Motoman’s Twin Synchronous software allows two or three robots to be coordinated with the positioner.
- Reduced cycle time due to part positioning while stations switch.

ARCWORLD IV-6000SL



SPAN	A (mm)	B (mm)
2 meter	2,000	2,993
3 meter	3,000	3,993



AWIV-6300SL SHOWN

All dimensions are metric (mm) and for reference only.
Request detailed drawings for all design/engineering requirements.

SPECIFICATIONS

<p>Robot MA1440 (AW6000, AW6200, AW6300) 6 kg payload; 1,440 mm reach MA2010 (AW6000, AW6200) 10 kg payload; 2,010 mm reach</p>	<p>ArcWorld Welding Package HyperStart™ Weld-in-Teach mode function Graphic arc files Digital weld interface Integrated torch package Arm-mounted 4-roll wire feeder Welding power source Two-year torch cable warranty</p>	<table border="1"> <thead> <tr> <th>RM2-Series Positioners</th> <th>MSR-755</th> <th>MSR-1255SL</th> </tr> </thead> <tbody> <tr> <td>Payload capacity per side (kg)</td> <td>755</td> <td>1,255</td> </tr> <tr> <td>Rapid index time (sec)</td> <td>2.25</td> <td>3.25</td> </tr> <tr> <td>Three AC servo motor drives</td> <td></td> <td></td> </tr> <tr> <td>2,000 mm or 3,000 mm part length</td> <td></td> <td></td> </tr> <tr> <td>1,300 mm max. part diameter (see part envelope)</td> <td></td> <td></td> </tr> <tr> <td>MotoMount fixture mounting system</td> <td></td> <td></td> </tr> <tr> <td>Tailstock thru-hole: 41 mm</td> <td></td> <td></td> </tr> <tr> <td>Ergonomic load and program heights</td> <td></td> <td></td> </tr> <tr> <td>Space saving positioner width</td> <td></td> <td></td> </tr> <tr> <td>Slip ring for fixture utilities (DeviceNet or Ethernet) and 1/2 in. air line</td> <td></td> <td></td> </tr> </tbody> </table>	RM2-Series Positioners	MSR-755	MSR-1255SL	Payload capacity per side (kg)	755	1,255	Rapid index time (sec)	2.25	3.25	Three AC servo motor drives			2,000 mm or 3,000 mm part length			1,300 mm max. part diameter (see part envelope)			MotoMount fixture mounting system			Tailstock thru-hole: 41 mm			Ergonomic load and program heights			Space saving positioner width			Slip ring for fixture utilities (DeviceNet or Ethernet) and 1/2 in. air line		
RM2-Series Positioners	MSR-755	MSR-1255SL																																	
Payload capacity per side (kg)	755	1,255																																	
Rapid index time (sec)	2.25	3.25																																	
Three AC servo motor drives																																			
2,000 mm or 3,000 mm part length																																			
1,300 mm max. part diameter (see part envelope)																																			
MotoMount fixture mounting system																																			
Tailstock thru-hole: 41 mm																																			
Ergonomic load and program heights																																			
Space saving positioner width																																			
Slip ring for fixture utilities (DeviceNet or Ethernet) and 1/2 in. air line																																			
<p>DX200 Controller Modules (full size) for dual or triple robots Programming pendant with single point of control Large color touch screen USB and CF card memory storage Standard Workcell Software Functions Multi-tasking (up to 7 jobs at once) Coordinated motion Twin synchronous Mirror copy Ladder logic editing/display Collision detection Software weaving Ethernet port Fieldbus I/O options</p>	<p>Workcell Features Common cell base and programming platform Pneumatic F/R/L with manifold Power distribution (with multiple robots)</p>	<p>Total Safety Environment <i>(in compliance with ANSI/RIA R15.06-2012 and Canadian safety standards.)</i> Safety-rated, tamper-resistant interlocks Single point of operator control Barrier guarding with protective arc curtains Cycle start button interlocked w/safeguards L shaped, dual-channel light curtains Sliding interlocked door at rear of cell Functional Safety Unit (FSU) to monitor station axis on operator side Safety PLC</p>																																	
	<p>Operator Control (pedestal-mounted) E-Stop Illuminated push button cycle start (latching relay interlocked for safety) Joystick for jogging station axis Remote start/hold</p>																																		

OPTIONS

- Binzel or Tregaskiss torches and reamers
- Variety of weld packages; Miller, Fronius, Lincoln
- Wide variety of fieldbus cards and HMIs
- Vision systems
- Seam tracking and seam finding packages
- Tip changing service window
- ToolSight® TCP gauge

Yaskawa America, Inc.
Motoman Robotics Division

100 Automation Way
Miamisburg, OH 45342
Tel: 937.847.6200
Fax: 937.847.6277

motoman.com

YASKAWA