

SOUNDPROOF DOOR

Acoustical Surfaces, Inc. is proud to offer the markets only affordable soundproof interior door. Our sound control doors have an STC value up to 56. The Studio 3D soundproof doors are ideal for recording studios, offices, band rooms, hotels, dorm rooms, conference rooms or any application where a soundproof interior door is required. Standard doors are offered in oak, ready to stain with satin chrome hardware, and custom finishes and hardware options are available.

FEATURES & BENEFITS

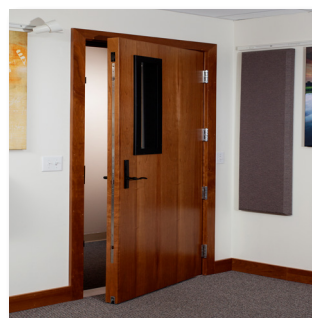
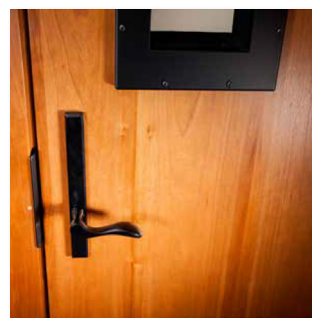
- Low cost – high performance
- STC Ratings up to 56
- Products tested per ASTM E-90
- Custom manufactured acoustic door to any size specification
- Appx. 300 lb. door assembly
- 2 $\frac{7}{8}$ " 13-layer door assembly
- Delivered pre-hung and assembled
- Adjustable soundproof jambs & seals
- Ready to stain/paint to match your decor
- Best performance wood finished door assembly available
- Automatic sill
- Heavy-duty hinges (4)
- 3-point latching system

APPLICATIONS

Auditoriums, bars, restaurants, conference and board rooms, hotels, medical facilities, sports and entertainment venues, casinos, retail stores, theaters, schools, audiophile rooms, laboratories, recording studios, houses of worship, manufacturing and industrial facilities, gun ranges, music practice and band rooms, airports, apartments, condos, and more.

SPECIFICATIONS

Configurations: available in flush design or with vision elite, also pairs of hinged doors; sizes: standard or custom sizes, double-door pairs up to 8' w x 12' h; supplied hardware: door, frame, trim, handle, hinges, perimeter sound seals and door bottom, deadbolt mortise locks also available; hardware color; satin chrome standard, 7 custom-order finishes available; wood species/finishes: oak, ready to stain, optional: maple, cherry, birch, black stained oak.



SOUNDPROOF DOOR

DOOR AND FRAME FEATURES

STC Ratings: Acoustical doors are available with ratings up to STC 56.

Testing: Door products are tested in accordance with the most recent ASTM E-90 standards at accredited Acoustical Laboratories.

Frame Configuration: In addition to our standard frame designs, we can engineer special frame profiles to complement wall construction and architectural style.

Services: ASI will provide the necessary shop drawings, certification of test results and assistance with compliance for all industry standards.

Guarantee: Studio 3D doors are guaranteed to be free of defects in workmanship and quality for a period of two years.

DOOR SPECIFIC FEATURES

Configuration: Doors are available in a flush design or with vision elites and as single or pairs of hinged doors.

Sizes: Select from standard or custom sizes. We also offer double door pairs as large as 8' w x 12' h.

Hardware: Door, frame, trim, handle, hinges, perimeter sound seals and door bottom are supplied as part of the tested assembly. Dead bolt mortise locks are also available.

Finishes: Oak ready to stain. Optional maple, cherry, birch and any wood species are available. Optional primed finish is available for frame and/or door.

Hardware Color: Satin Chrome standard. 7 additional custom order finishes available.

Required Installation Kit Includes:

- 2 Packs of Shims
- 4 Heavy Duty Jamb Screws • Backer Rod
- 1 Tube Acoustical Sealant

Lead Time: Typically 3-4 weeks. Please check with our professional sales associate to verify actual lead time.

STANDARD HARDWARE

*Venice -
Passage Only*



*Venice -
Thumb Turn
Deadbolt*



*Venice -
Keyed
Deadbolt*





SOUNDPROOF DOOR



2-3/4" Door Thickness



Mortise Drop Seal & Strike Plate



Exposed Jam Kit



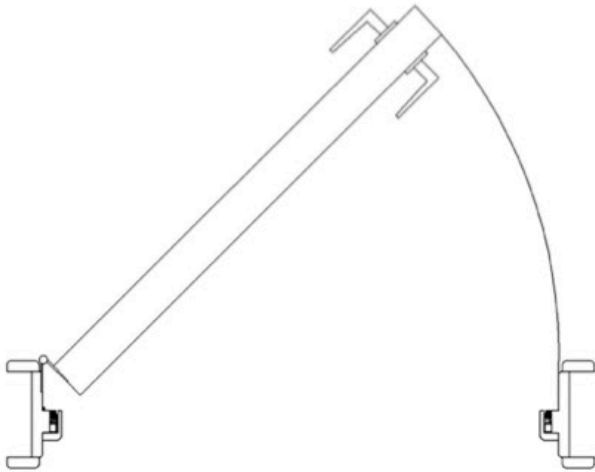
Window Lite Kit



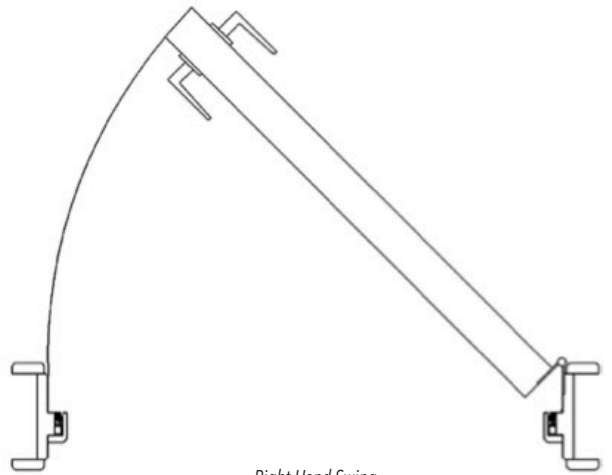
Double Door



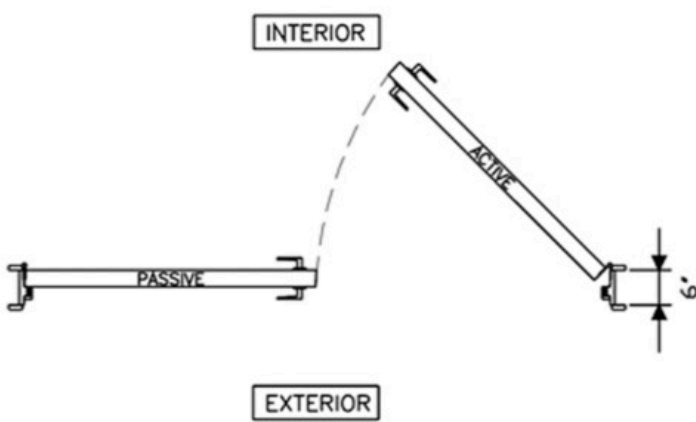
SOUNDPROOF DOOR



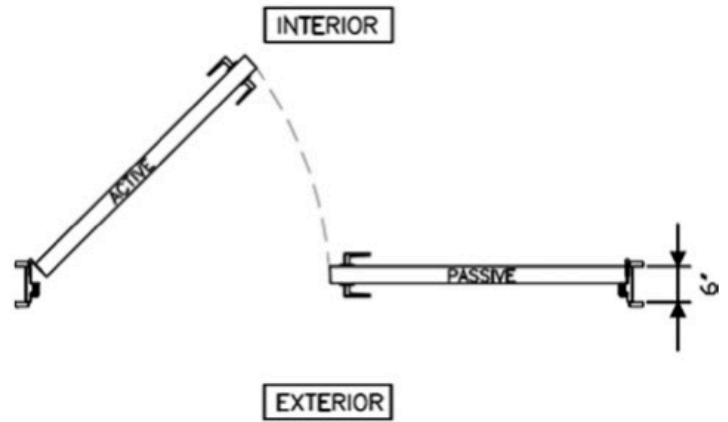
Left Hand Swing



Right Hand Swing



Left Hand Active - Double Door



Right Hand Active - Double Door