

### FEATURES

- **360° Airflow coverage**  
Not limited the traditional 4 or 6 sides
- **Available with two throw lengths**  
Throws length equal to typical drum diffusers for extended distances
- **Available with flat or 30° angle diffusion**
- **Available with round or square top inlet**  
Square top inlets have edge seal to prevent leakage

### SPECIFICATIONS

WEAVE: Fire Retardant Polyester  
Filament/Filament Twill

WEIGHT: 6.8oz/yd<sup>2</sup> (231g/m<sup>2</sup>)

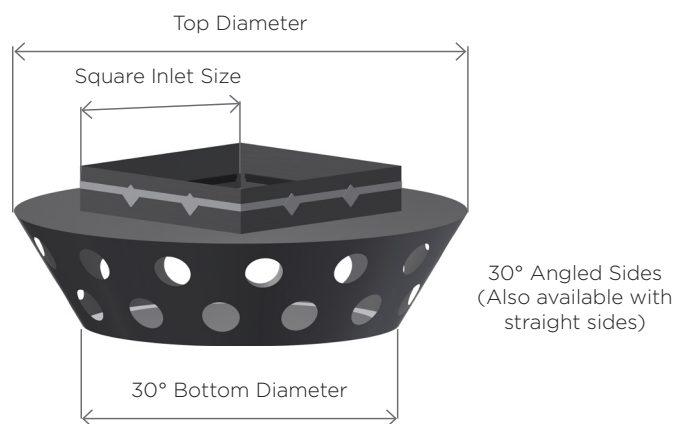
POROSITY: 2 CFM/ft<sup>2</sup> at 0.5" w.g. (10.2L/s/m<sup>2</sup> @125Pa)

- CODES:
- Classified by Underwriters Laboratories in accordance with the requirements of:
    - NFPA 90A
    - UL 2518
  - UL-C (Canada)
  - BS 5867 Part 2, 1980
  - GB8624-2006
  - DIN 4102-1



## GENERAL INFORMATION

Size (ton)	Nominal CFM at 0.5" SP	Sq. Inlet Size (in)	Top Dia. (in)	Depth (in)	30° Bottom Dia. (in)	Throw Options	0.5" SP 150 fpm	100 fpm	50 fpm	NC Level
30	12,000	42	78	15	60	Regular Throw	38	57	91	56
						Extended Throw	61	91	146	56
25	10,000	38	72	15	54	Regular Throw	38	57	91	51
						Extended Throw	61	91	146	51
20	8,000	34	66	15	48	Regular Throw	38	57	91	46
						Extended Throw	61	91	146	46
15	6,000	30	60	15	42	Regular Throw	38	57	91	43
						Extended Throw	61	91	146	43
10	4,000	24	52	15	34	Regular Throw	34	51	82	40
						Extended Throw	53	80	128	40
5	2,000	18	44	15	26	Regular Throw	19	28	45	37
						Extended Throw	28	43	69	37



Patent: [www.ductsox.com/patents](http://www.ductsox.com/patents)

DuctSox Corporation  
4343 Chavenelle Road  
Dubuque, IA 52002

Phone: 563-588-5300  
Toll-free: 866-82-769  
Fax: 563-588-5330

[ductsox.com](http://ductsox.com)

**DUCTSOX**<sup>®</sup>  
Redefining Air Dispersion