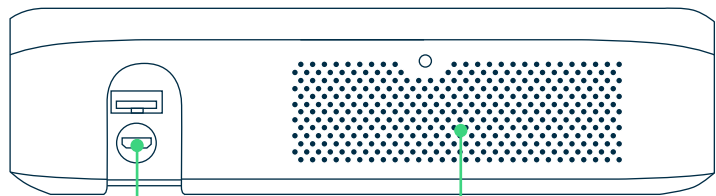
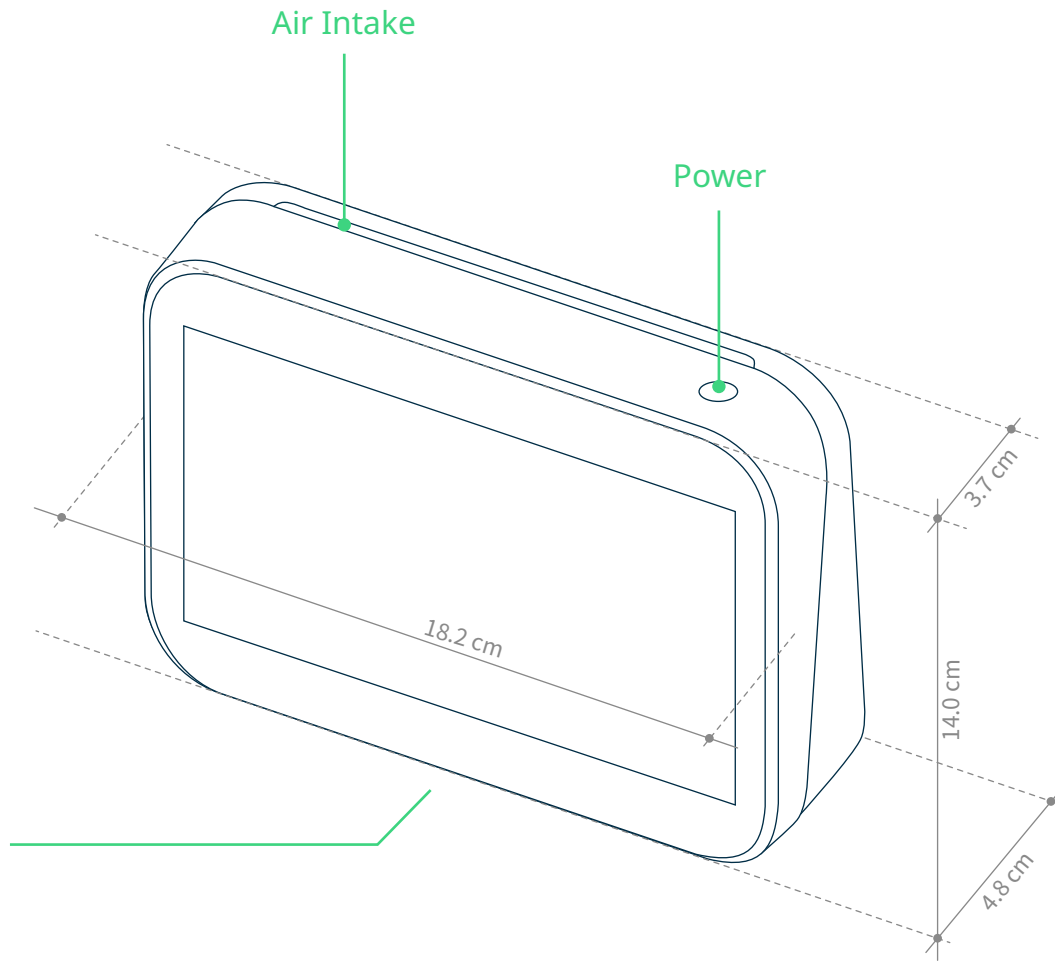


# **Sensedge Installation Guide**



Cable Input

Air Output



Air Intake

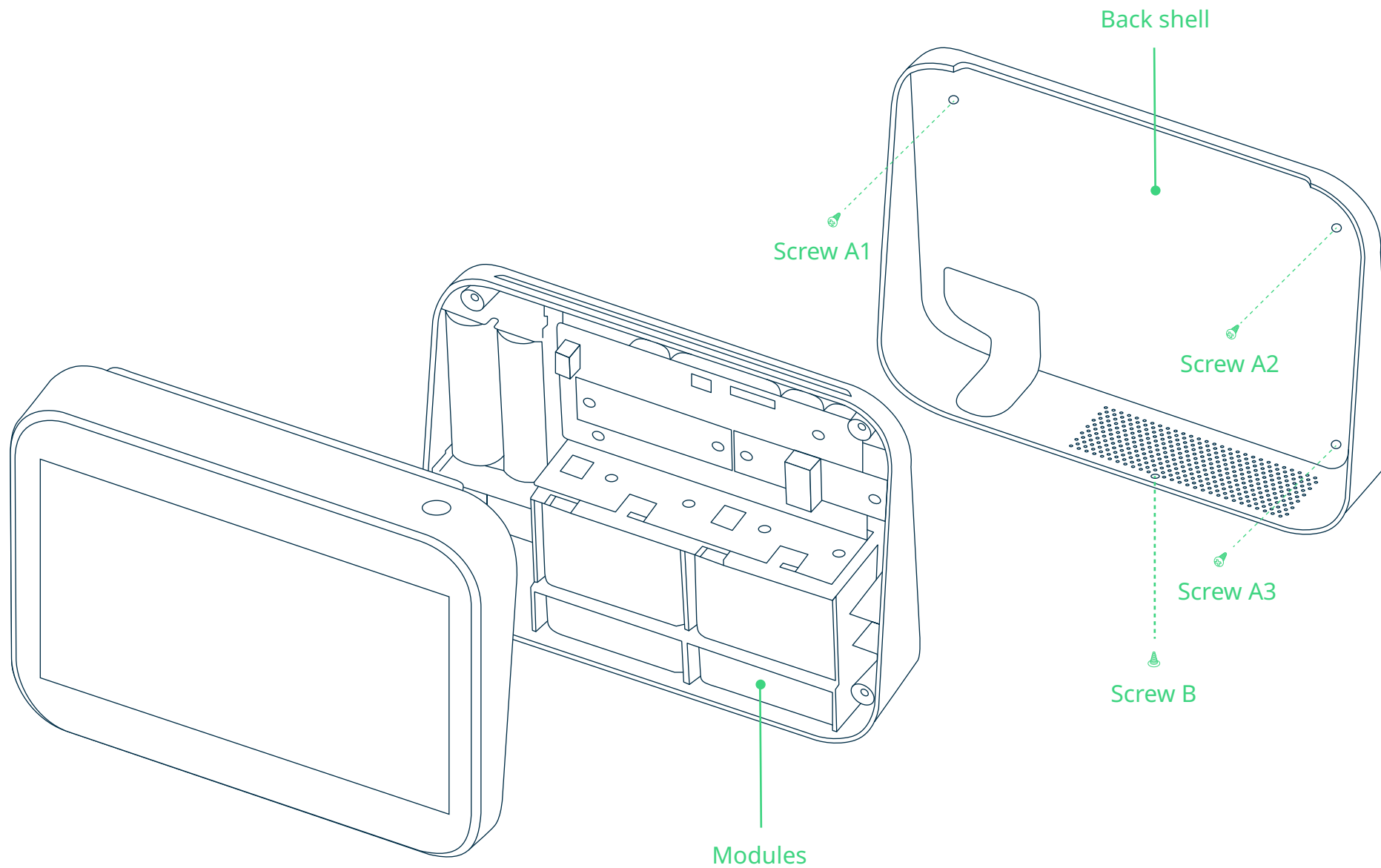
Power

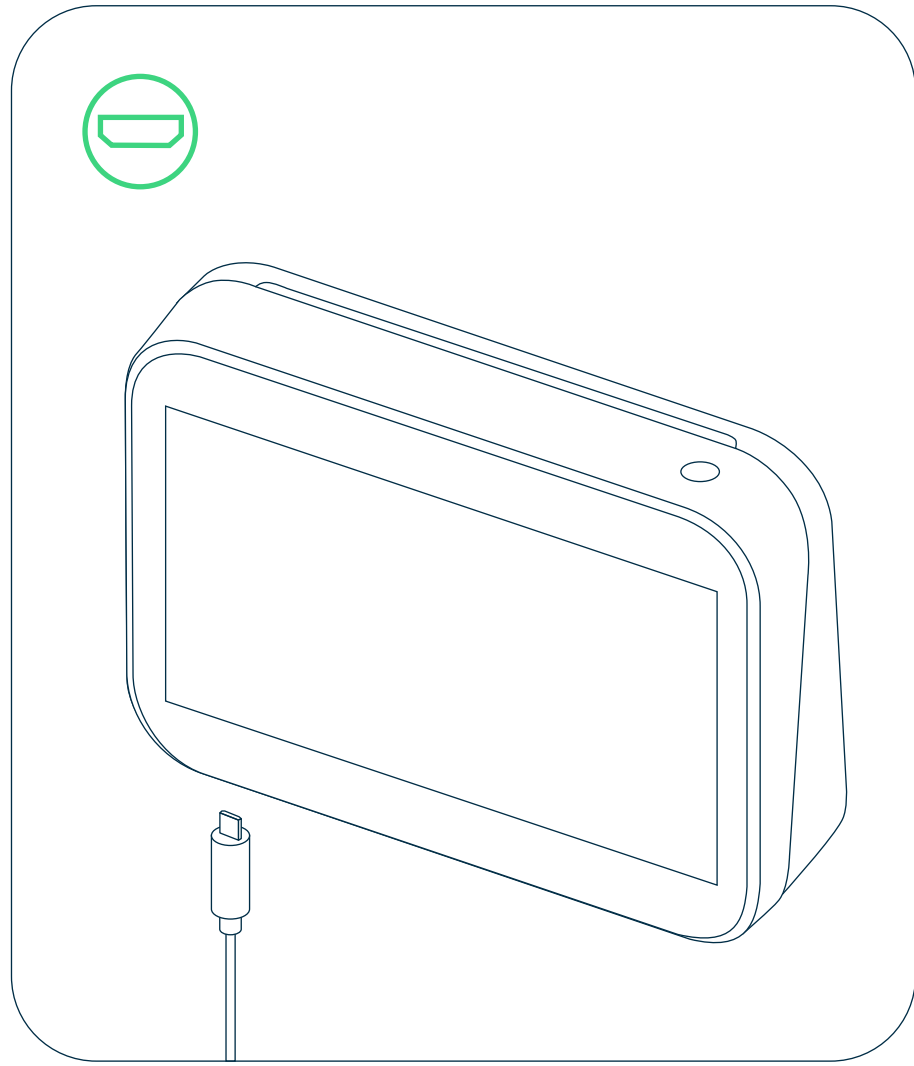
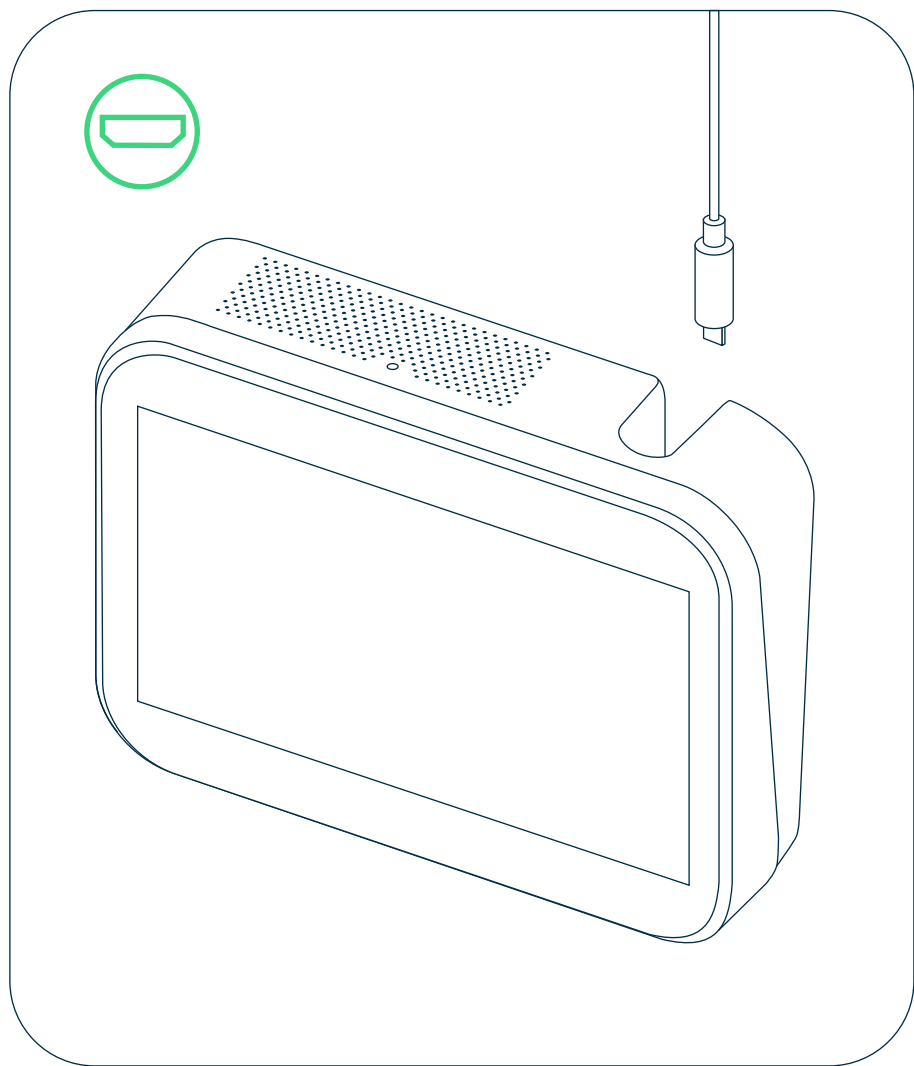
18.2 cm

3.7 cm

14.0 cm

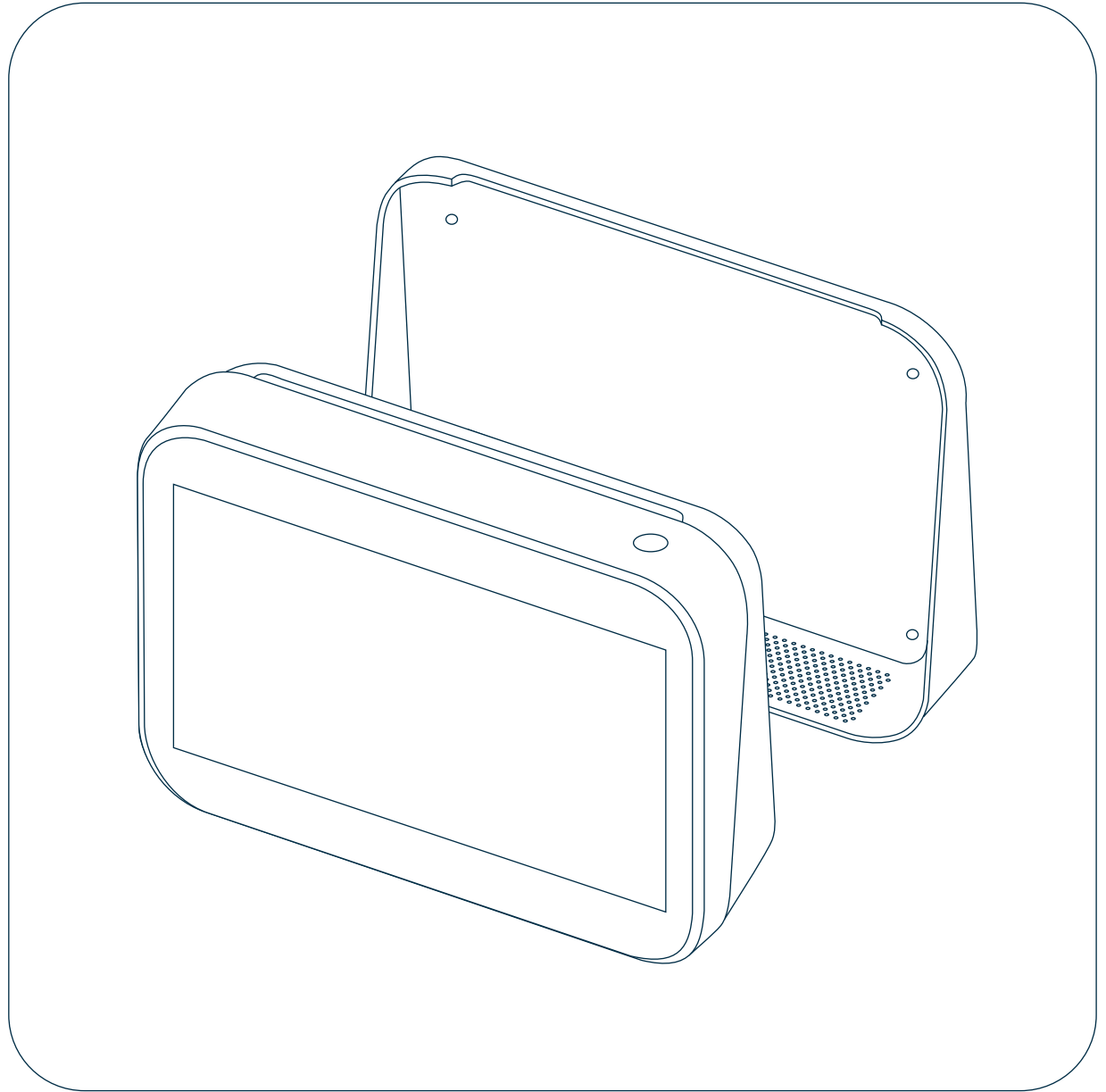
4.8 cm





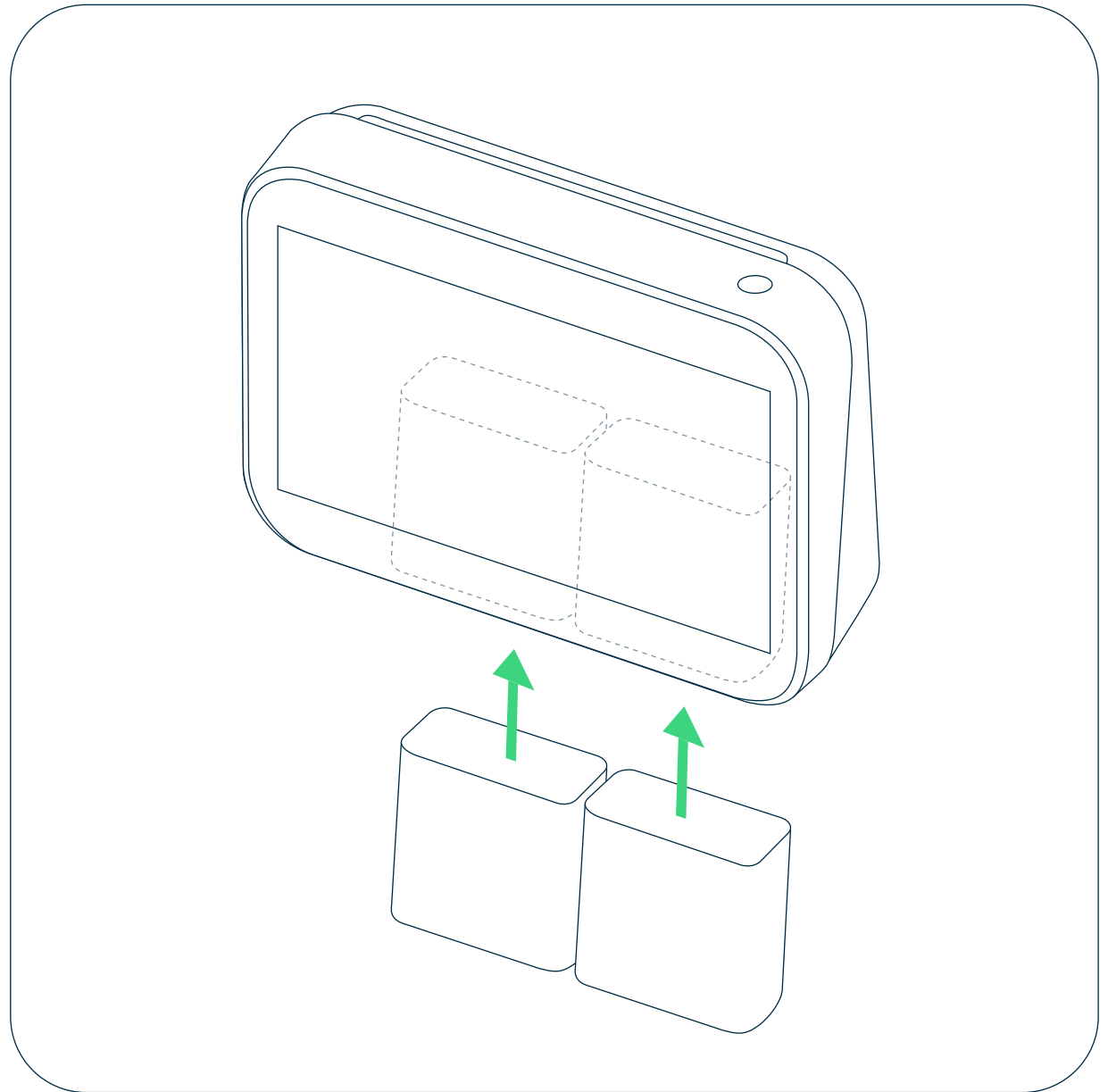
# Step 1

**Separate the  
body from  
the back shell.**



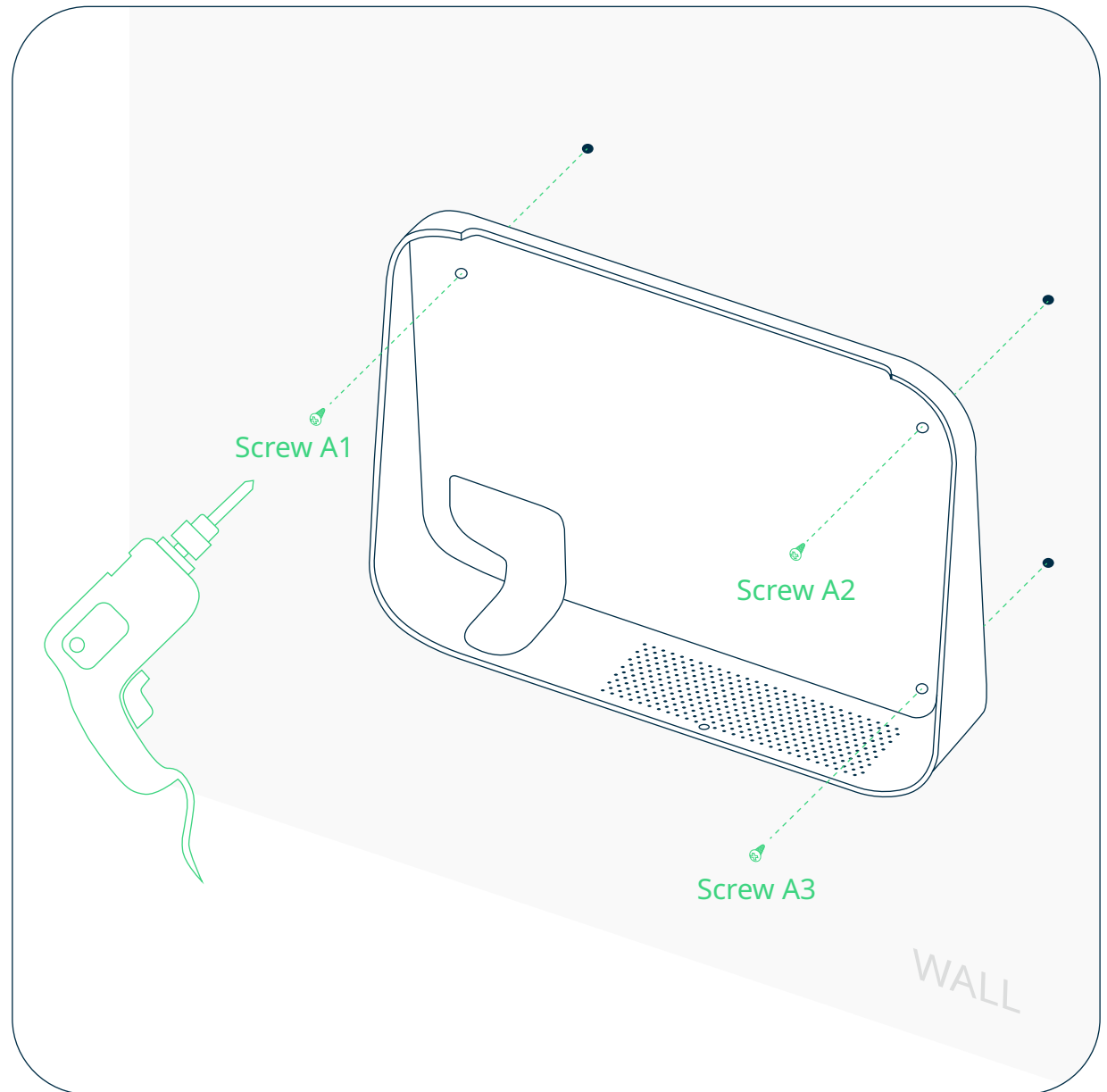
# Step 2

**Insert the  
modules securely.**



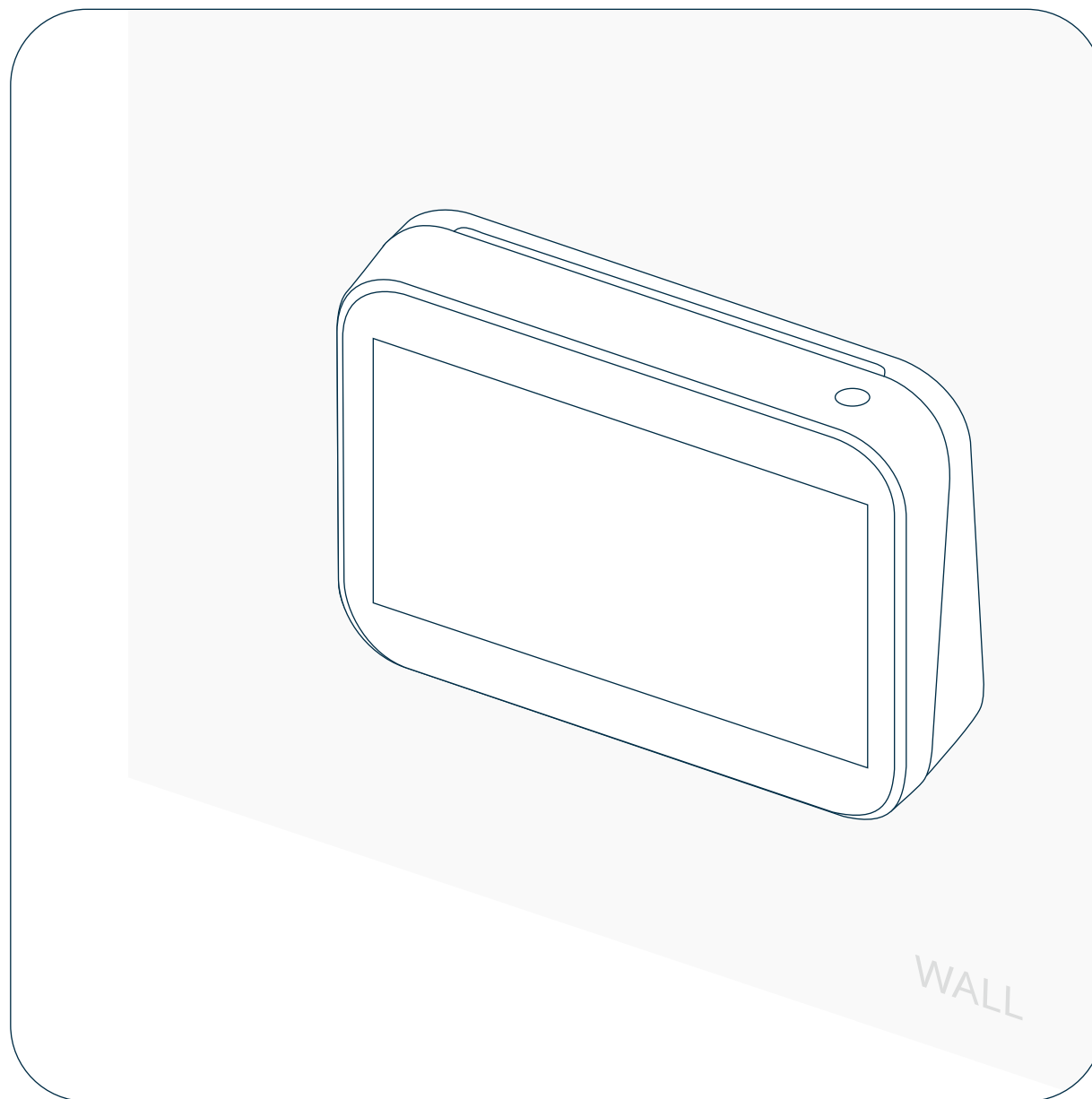
# Step 3

**Drill the holes and secure the back shell to the wall.**



# Step 4

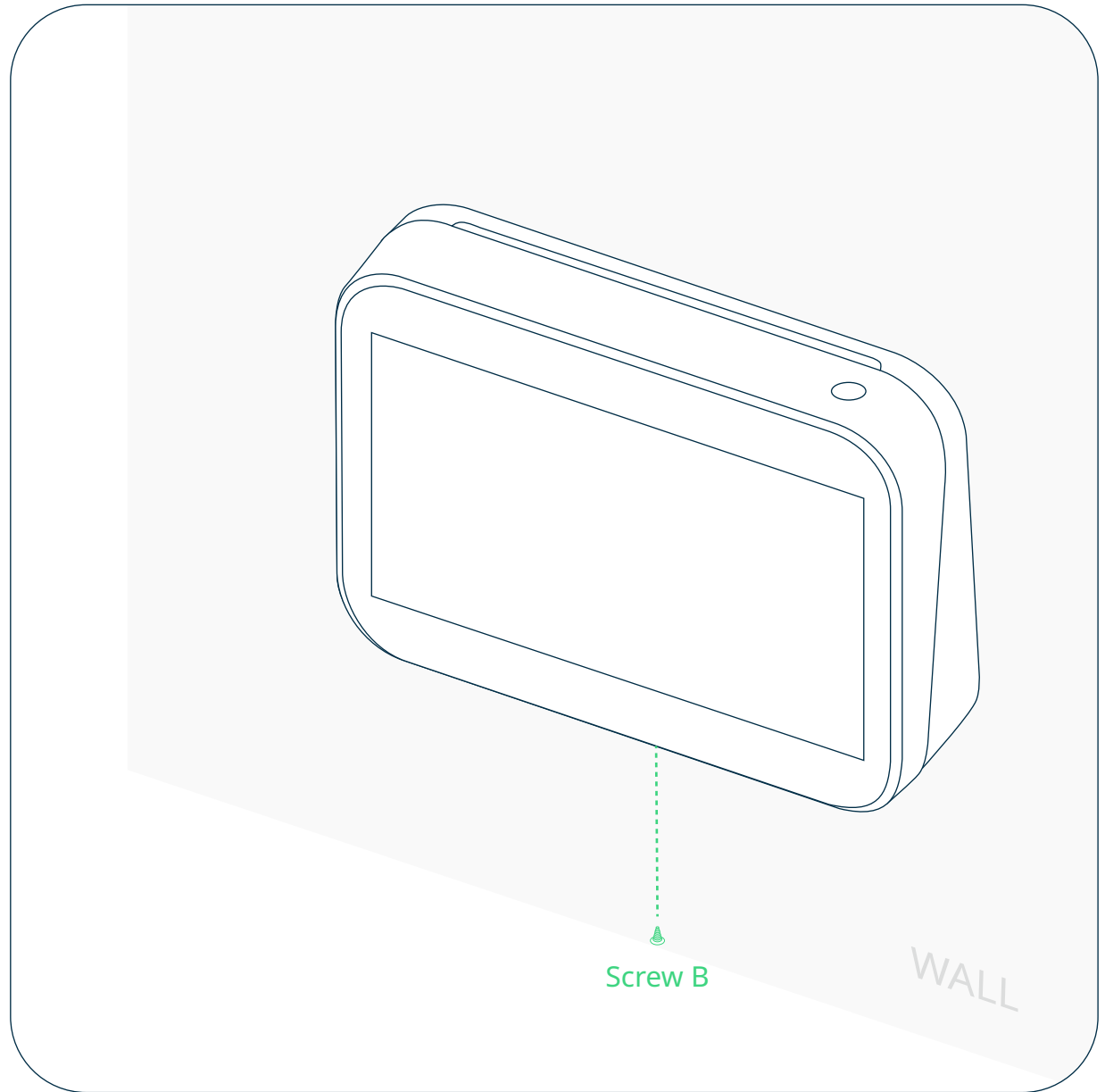
**Fit the product  
on the wall.**





# Step 5

**Use Screw B to secure the unit to the back shell.**



# Step 6

**Plug in the cable,  
turn on the  
power and test.**

