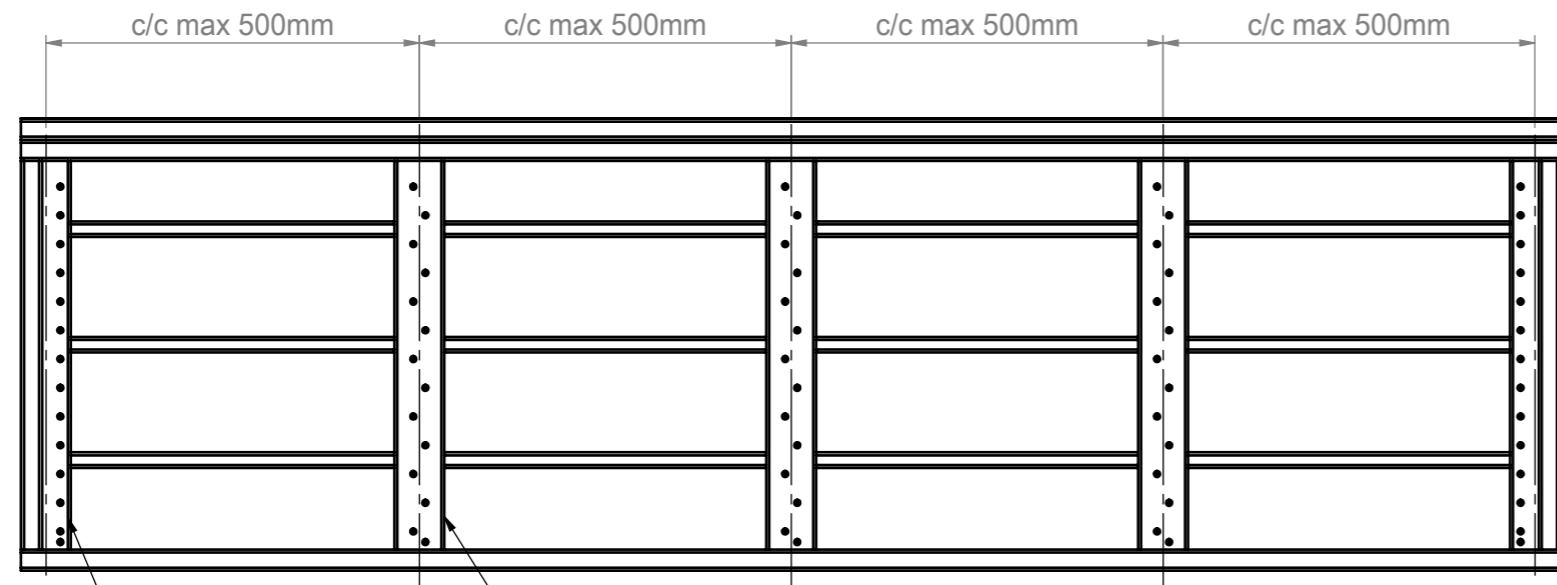
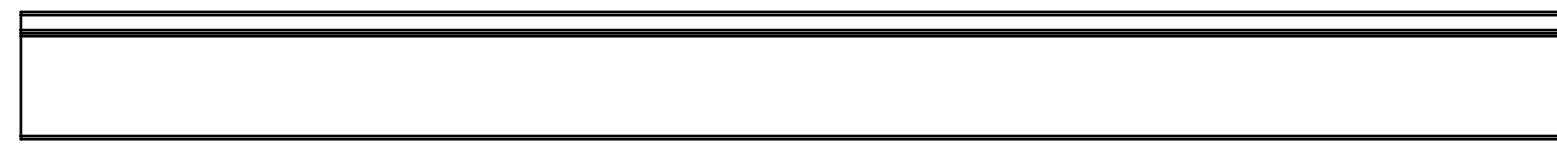
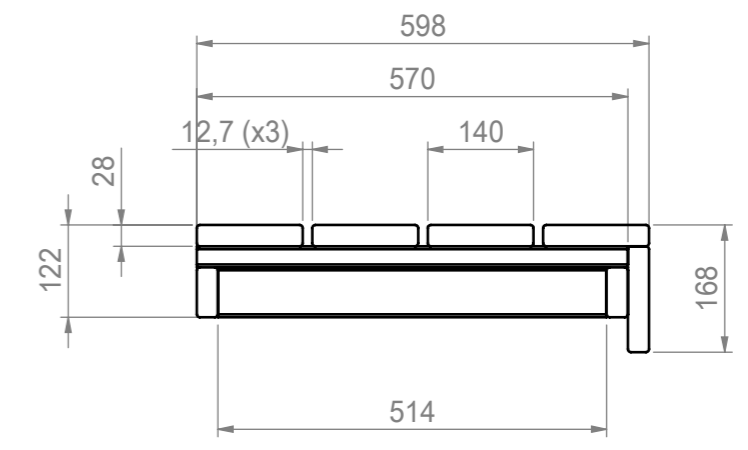
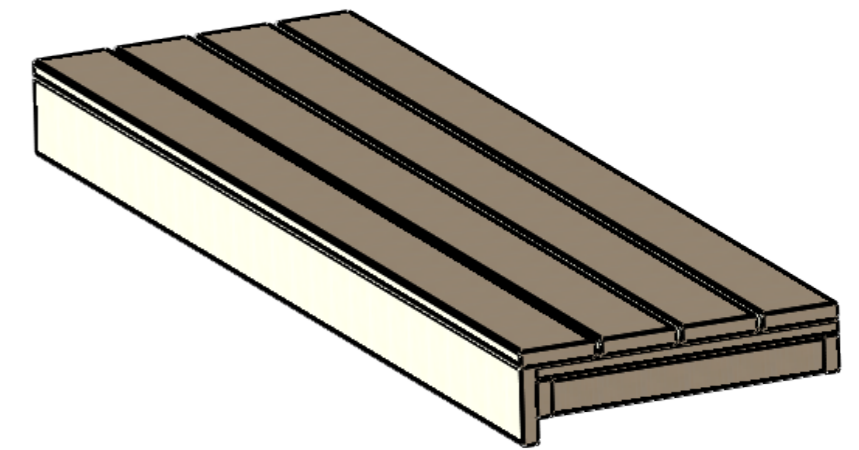


1 2 3 4 5 6 7 8

Rev.	Changes and/or mess.-no	Datum	Approved by



Yttre rambräda (x2) Mittre rambräda Antal X



L (mm)

L (mm)	Antal X
0-566	0
567-1066	1
1067-1566	2
1567-2066	3
2067-2566	4
2567-3066	5

This document must not be copied without our written permission, and the contents thereof must not be imparted to a third party nor be used for any unauthorized purpose. Contravention will be prosecuted.

Tolerance for other dimensions		Material		Article No.	
Designed by	Drawn by	Approved by	Replaces	Replaced by	Date
	LH				2018-02-28
Description			Page	State	Scale
Lave Classic 140 598mm			1 (1)	Draft	1:10
Sauna Room			Drawing No.	Rev.	
			TH002598		

1 2 3 4 5 6 7 8