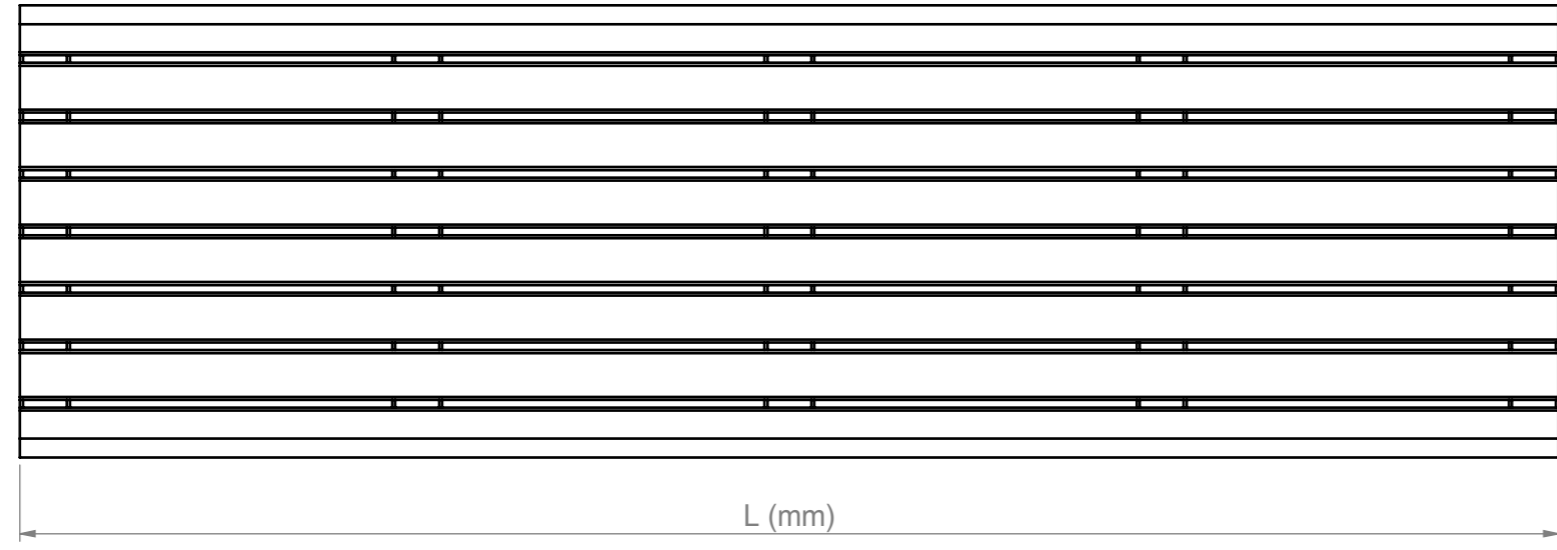
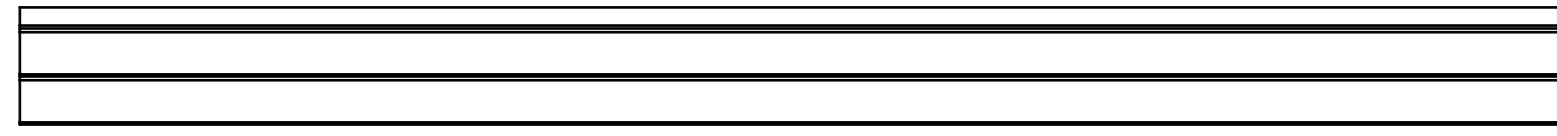
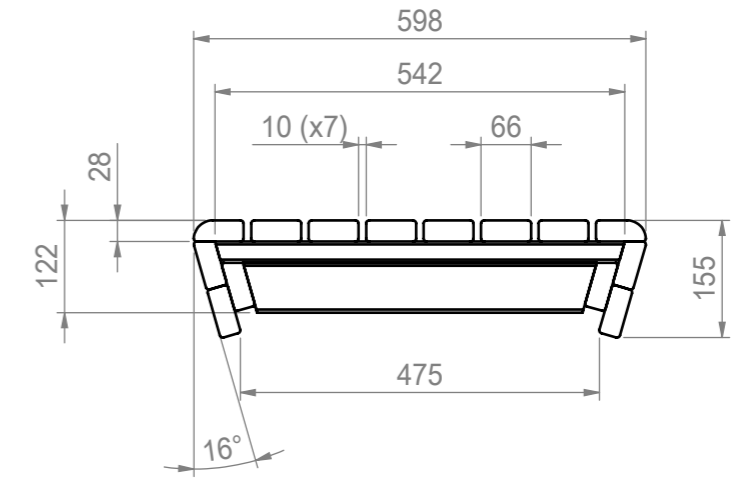
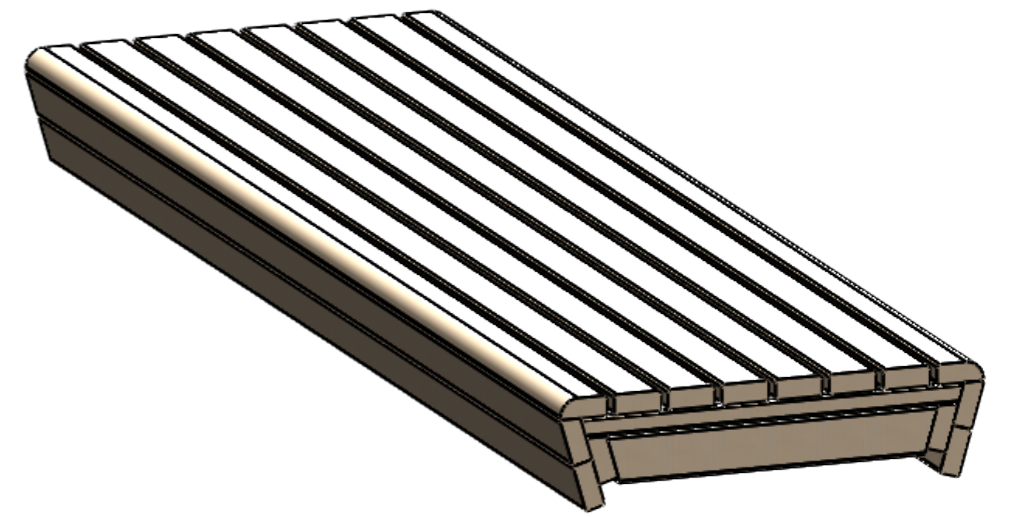
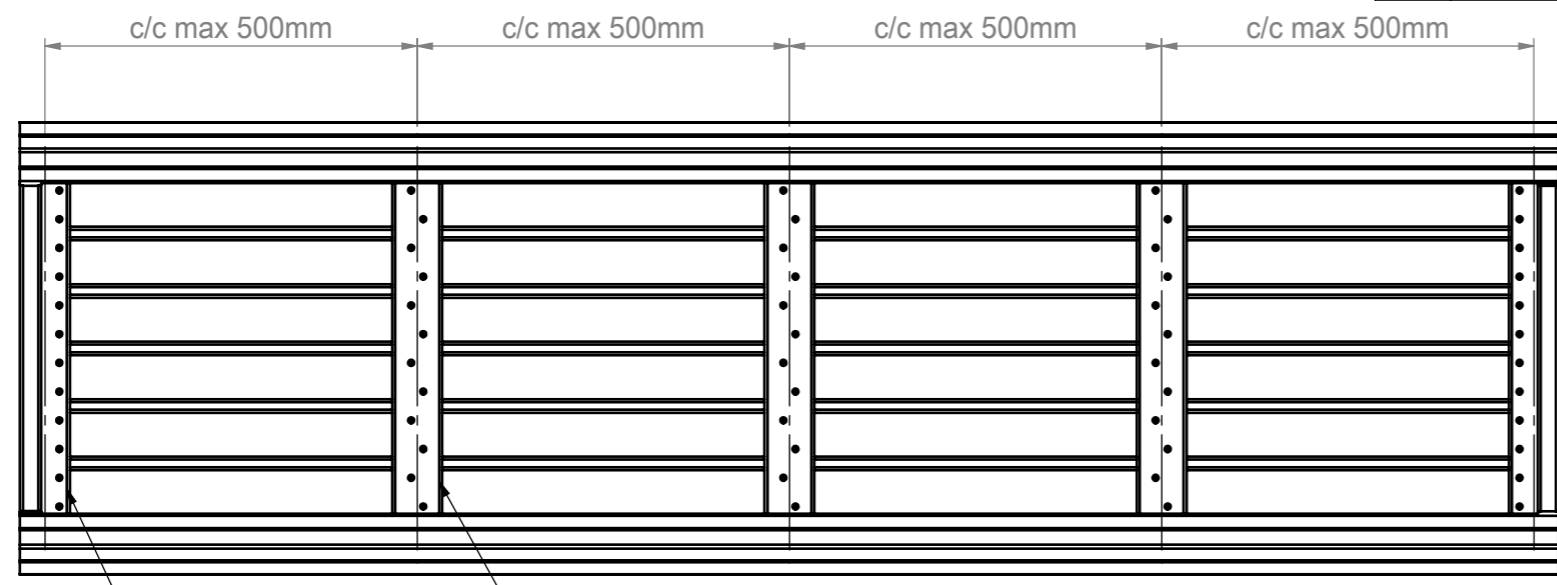


1 2 3 4 5 6 7 8

Rev.	Changes and/or mess.-no	Datum	Approved by



L (mm)	Antal X
0-566	0
567-1066	1
1067-1566	2
1567-2066	3
2067-2566	4

Tolerance for other dimensions		Material		Article No.	
Designed by	Drawn by	Approved by	Replaces	Replaced by	Date
	LH				2018-04-17
Description				Page	State
Lave Panorama Classic 598mm				1 (1)	Draft
Sauna Room				Drawing No.	Rev.
				TH002673	



This document must not be copied without our written permission, and the contents thereof must not be imparted to a third party nor be used for any unauthorized purpose. Contravention will be prosecuted.

1 2 3 4 5 6 7 8