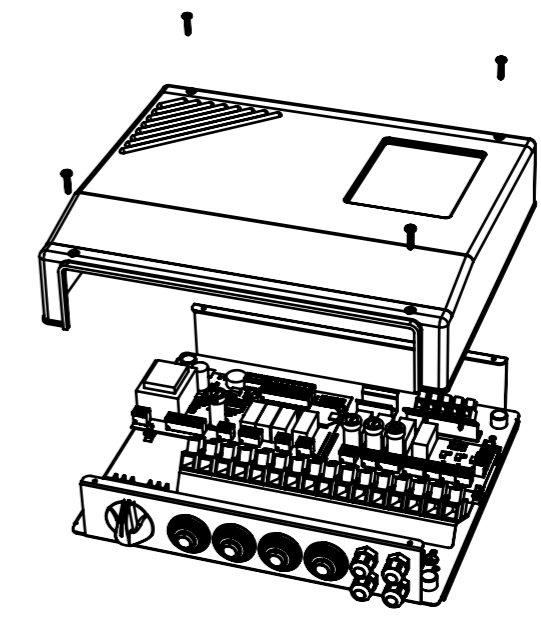
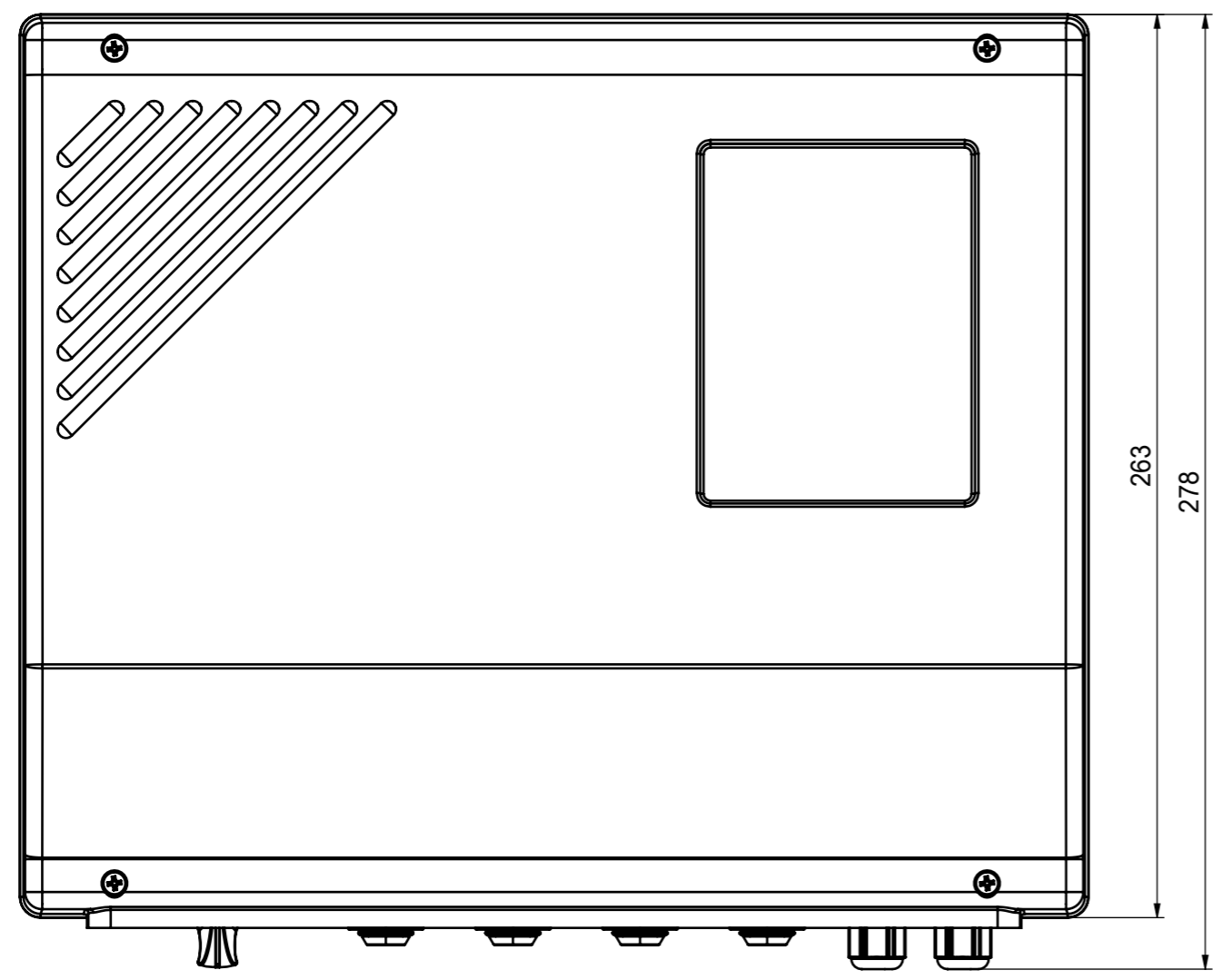
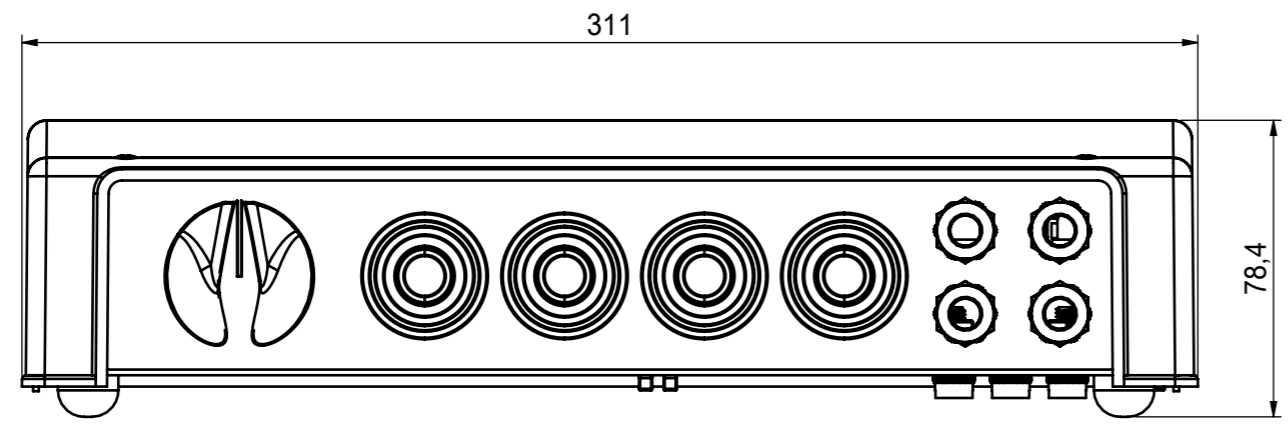


This document must not be copied without our written permission, and the contents thereof must not be imparted to a third party nor be used for any unauthorized purpose. Contravention will be prosecuted.

Rev.	Changes and/or mess.-no	Datum	Approved by



(1 : 5)

Tolerance for other dimensions		Material		Article No.	
Designed by JK		Drawn by JK		71016008	
Approved by		Replaces		Date	
				2012-10-04	
		Replaced by		Size	
				A3	
				Scale	
				1:2	
Description		Page		State	
RB45		1 (1)		Draft	
Drawing No.		Rev.			
Control Panel		RB45			

