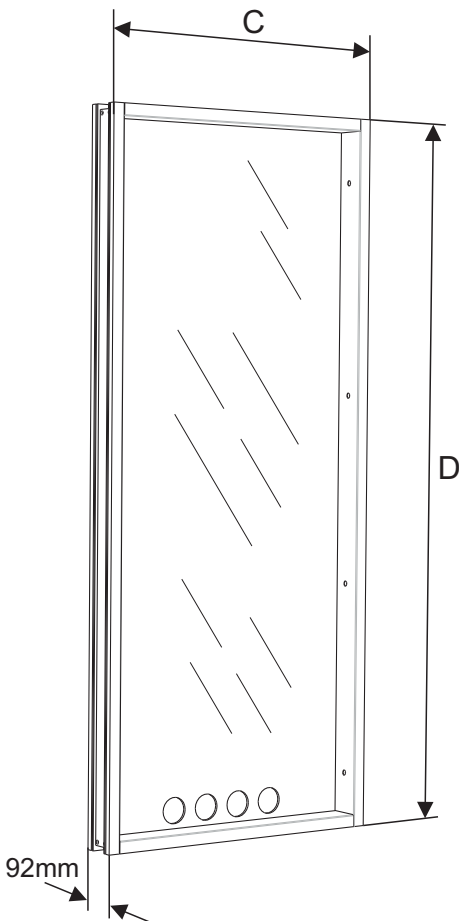
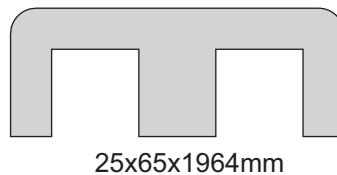
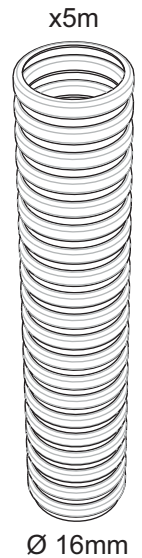
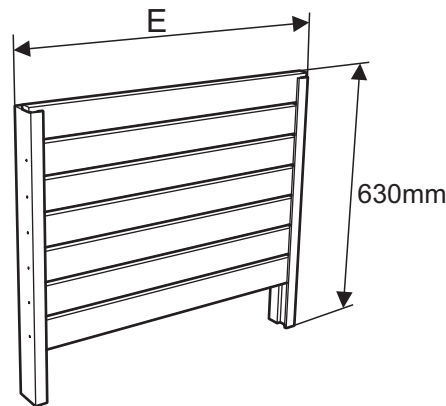
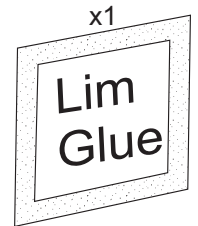
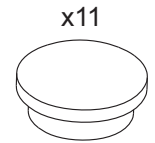
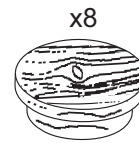
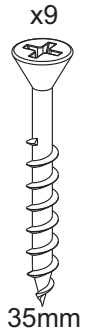
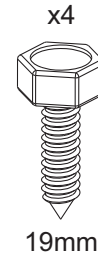
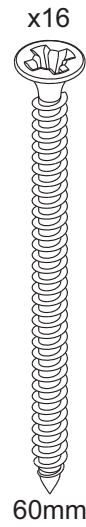
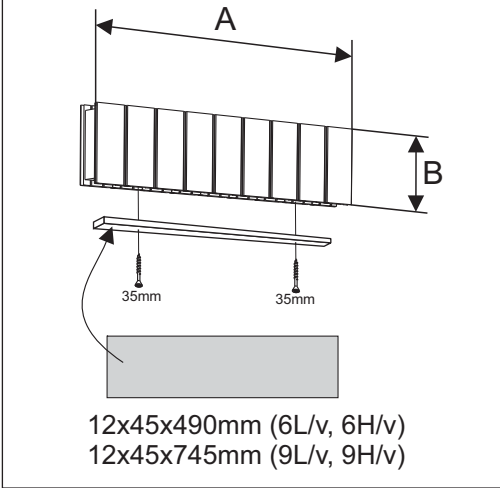


# Glass wall 6L/v, 6H/v, 9L/v, 9H/v

## Glasparti 6L/v, 6H/v, 9L/v, 9H/v

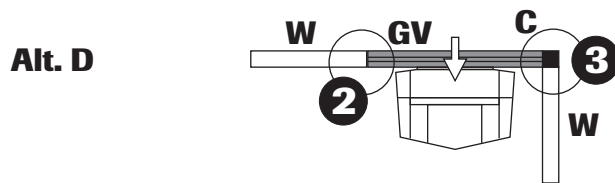
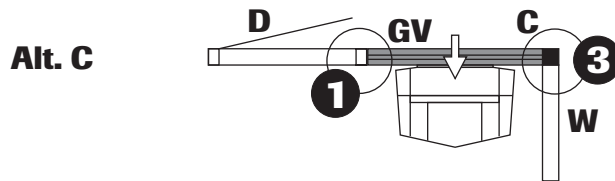
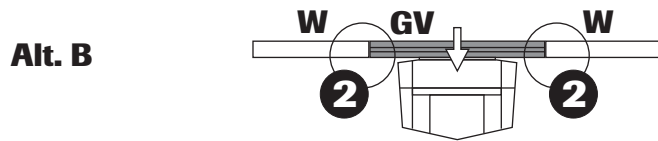
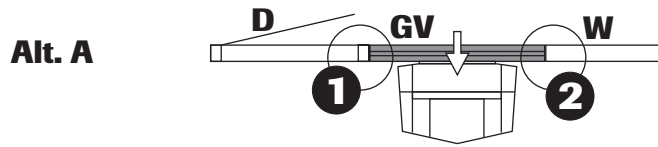
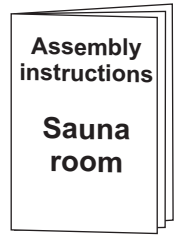
Only for glass section mounted in sauna room  
Bara för glassektion monterad i basturum



	A(mm)	B(mm)	C(mm)	D(mm)	E(mm)
6L/v	506	189	506	1781	446
6H/v	506	102	506	1866	446
9L/v	762	189	762	1781	702
9H/v	762	102	762	1866	702

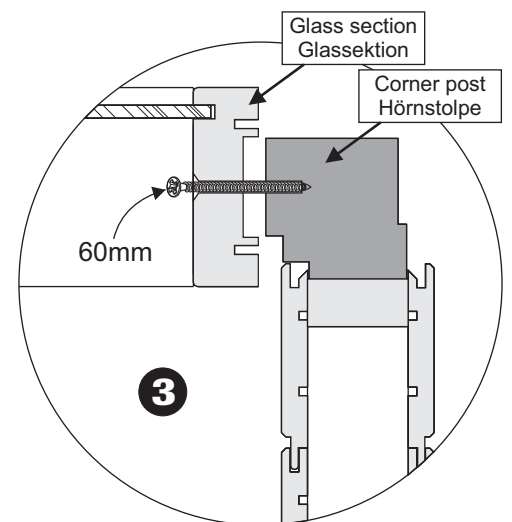
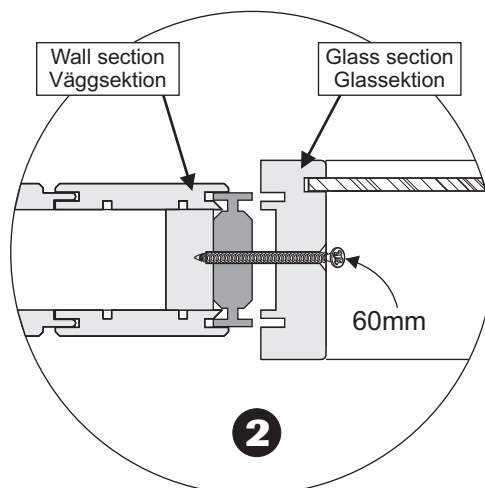
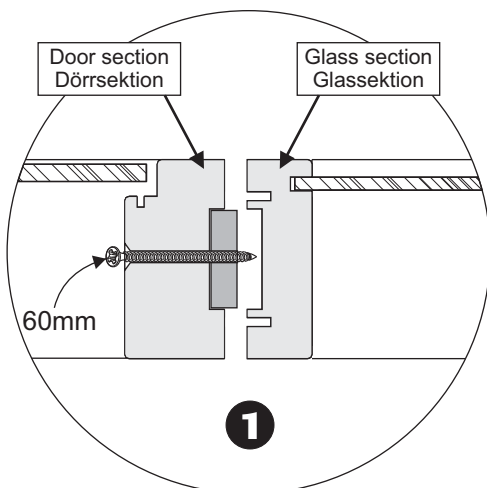
# Glass wall mounted in sauna room

## Glasparti monterad i basturum



D=Dörrsektion  
W=Väggsektion  
GV=Glassektion ventilation  
C=Hörn stolpe

D=Door section  
W=Wall section  
GV=Glass section ventilation  
C=Corner post



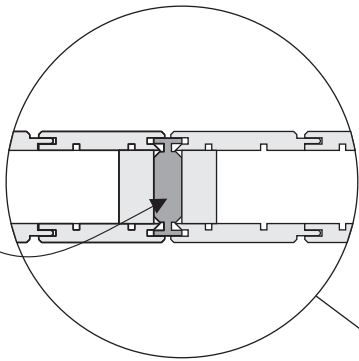
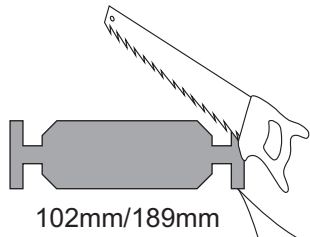
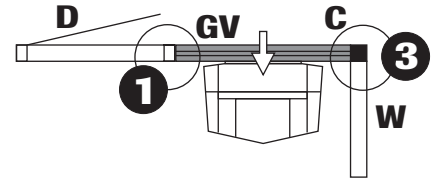
# Glass wall mounted in sauna room

## Example alt. C

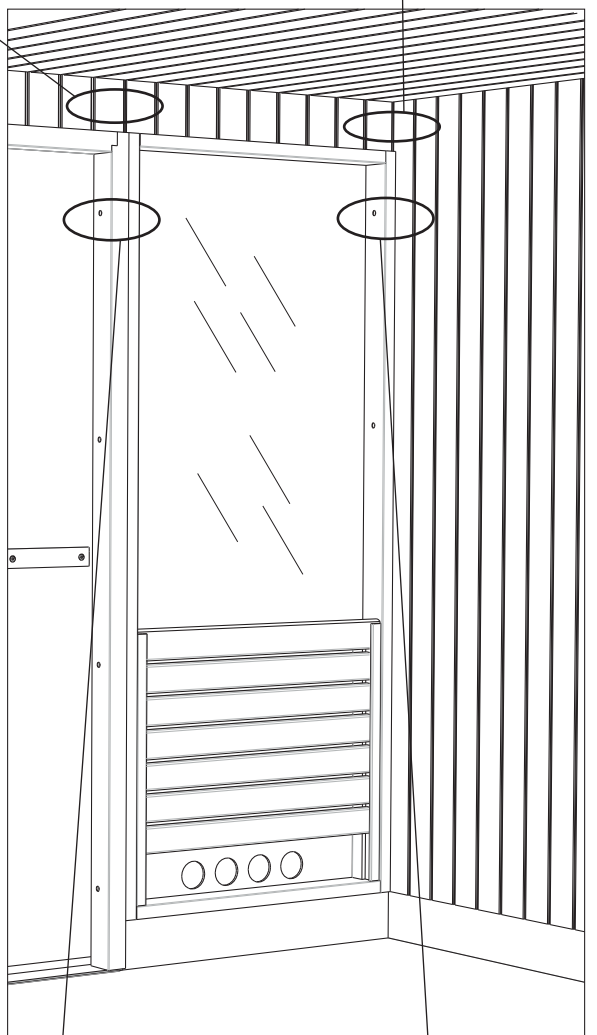
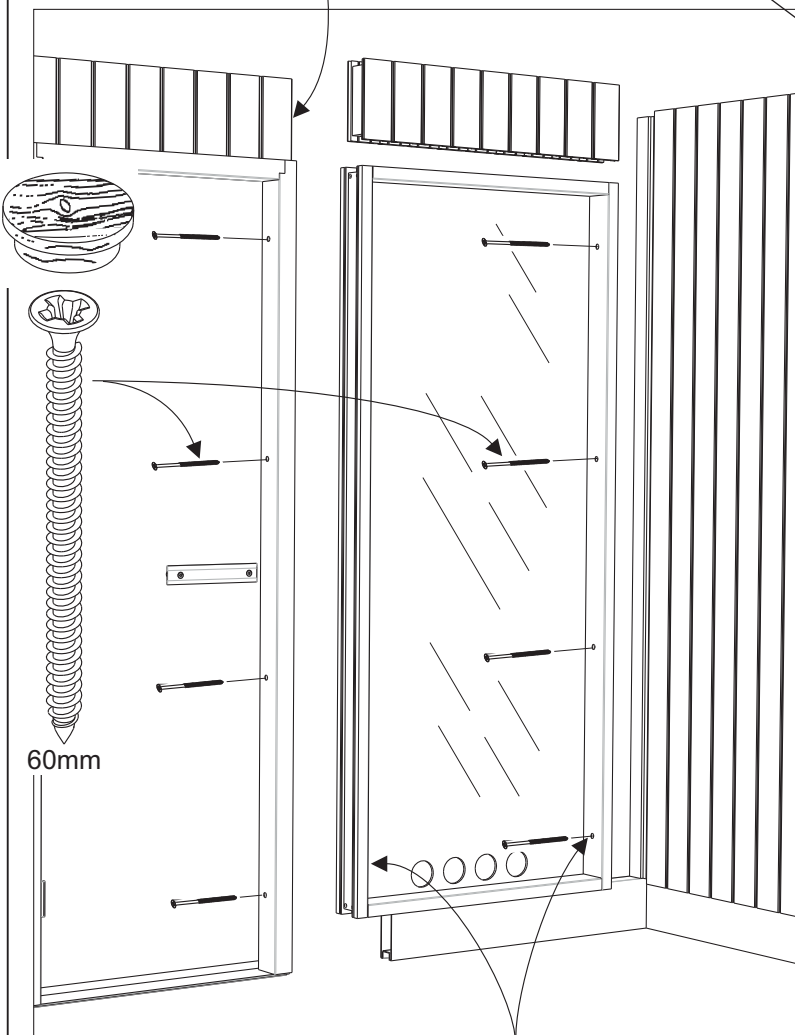
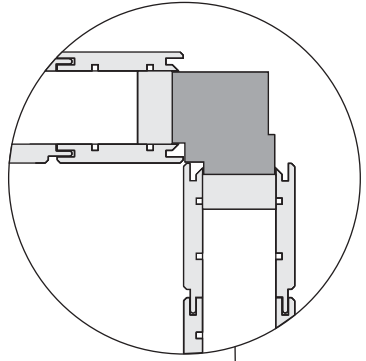
## Glasparti monterad i basturum

## Exempel alt. C

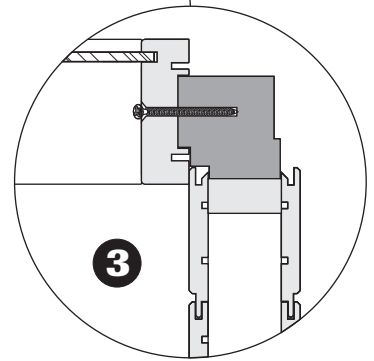
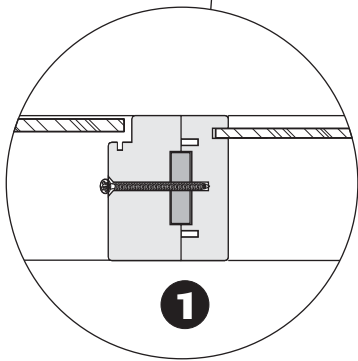
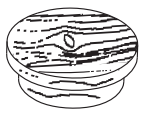
Alt. C



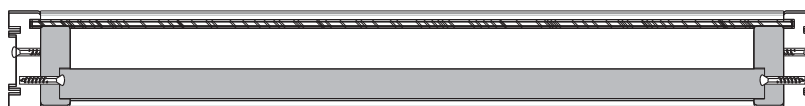
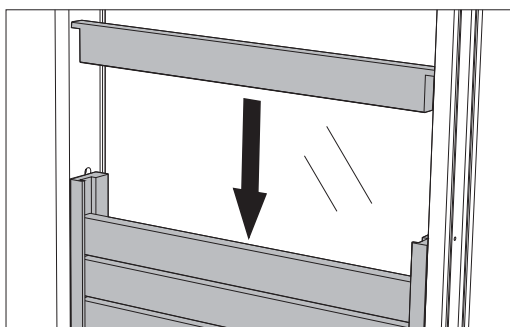
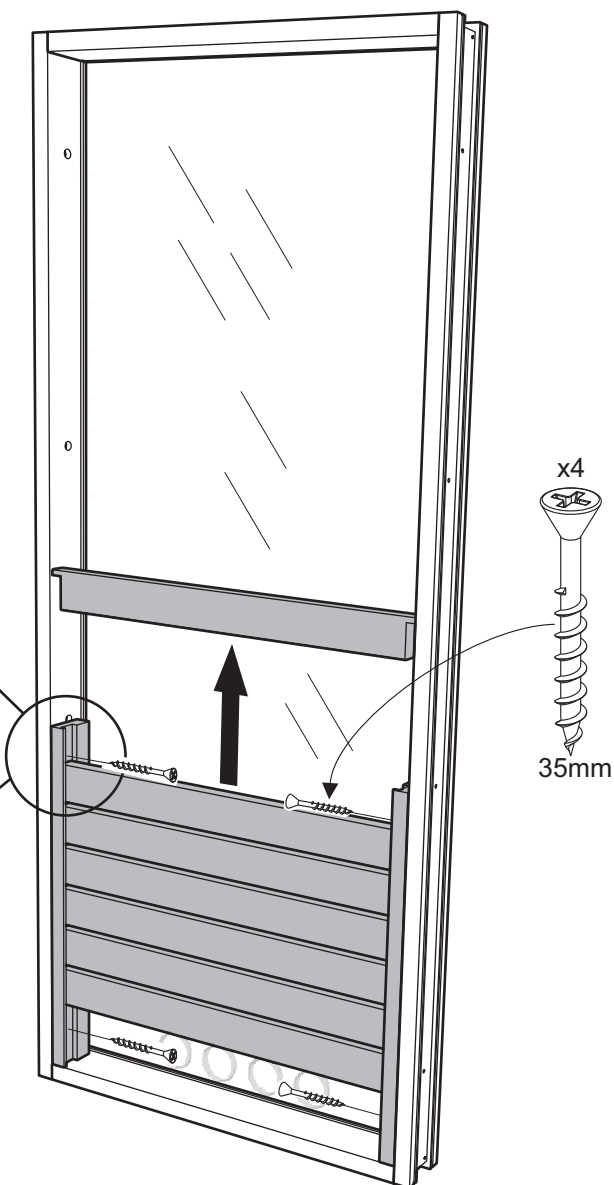
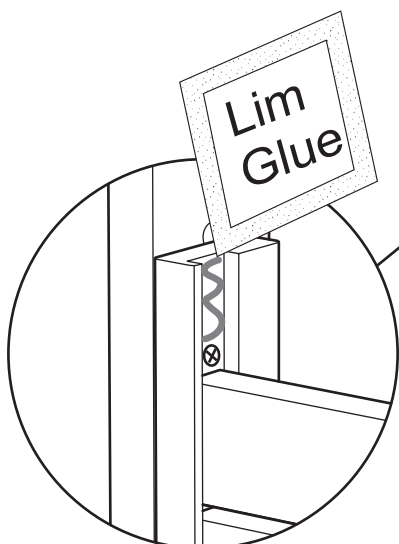
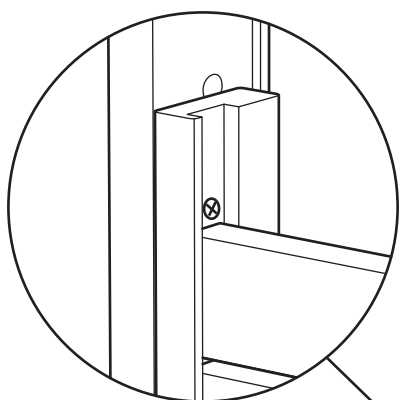
Assembly instructions  
Sauna room



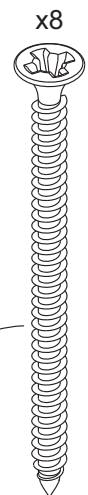
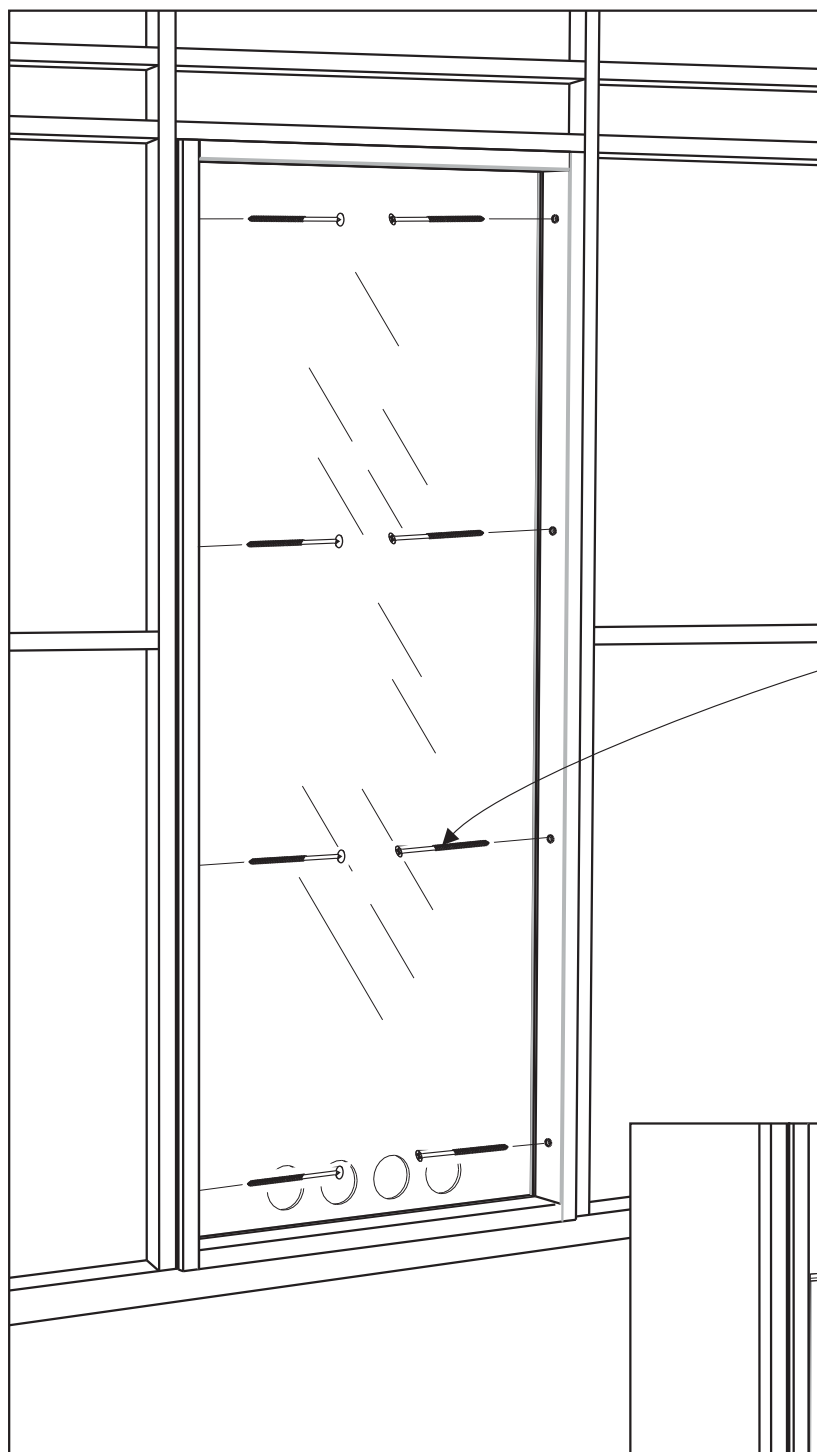
x8



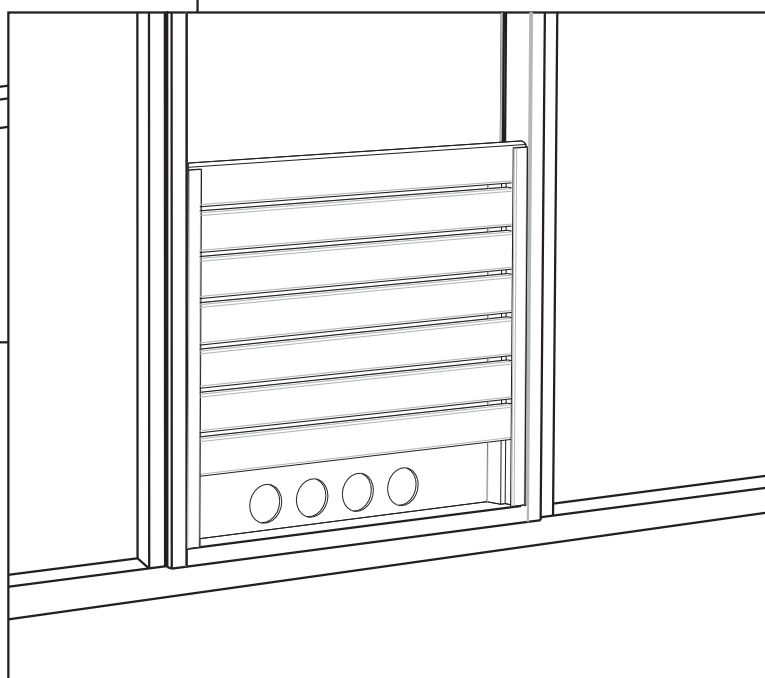
# Assembly of heater plate Montering av aggregatplatta



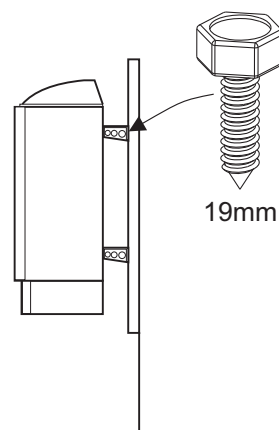
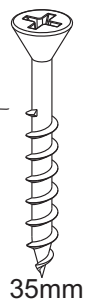
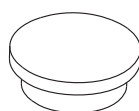
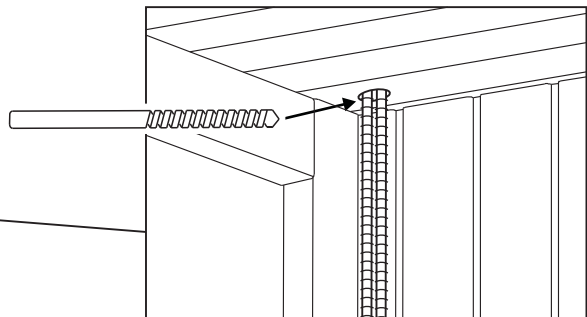
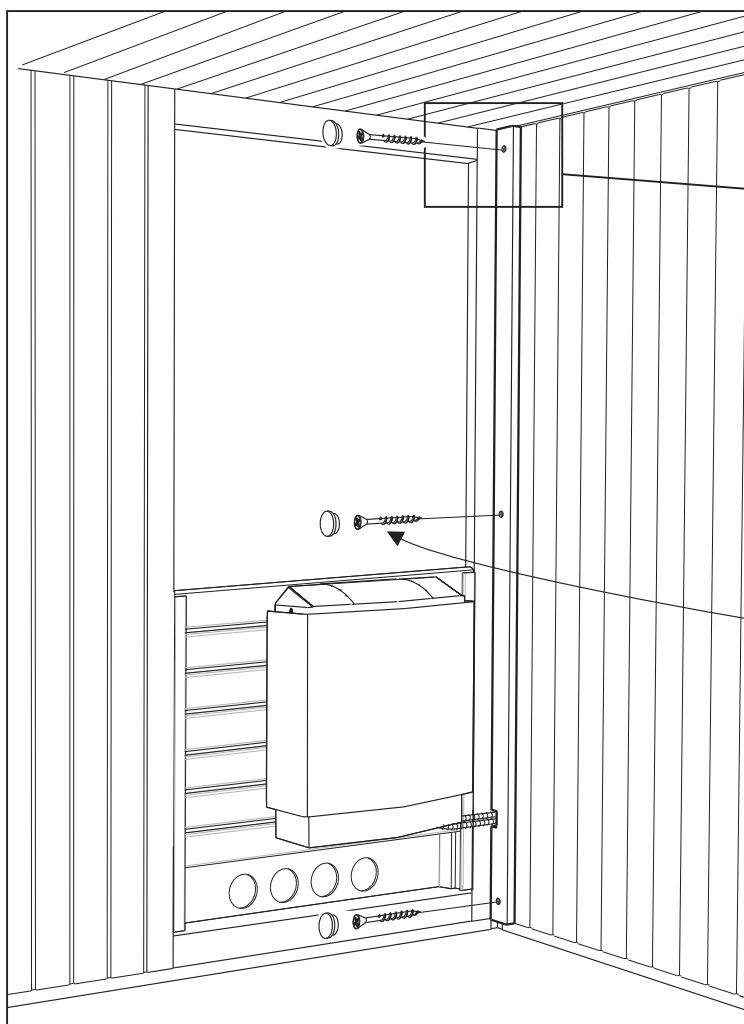
# Assembly of glass wall Montering av glasparti



60mm



# Assembly of cable bar Montering av kabellist



Värmebeständig kabel (170°C)  
Heat resistant cable (170°C)  
Hitzbeständiges Kabel (170°C)  
Câble résistant aux températures élevées (170°C)

