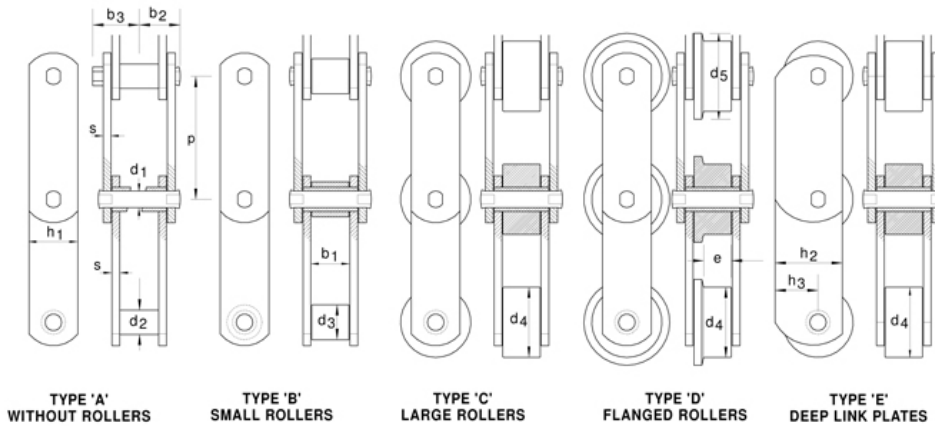




CONVEYOR CHAIN **FV112**

FV112 series Conveyor chains manufactured to DIN 8165 available in deep links and rollers and Plain Bush Construction, 112KN breaking strength conveyor chain.



FB Letchworth Ref	Pitch p	Inside Width b ₁	Pin Dia d ₁	Bush Dia d ₂	Roller Dia d ₃	Roller Dia d ₄	Flange Dia d ₅	Plate Thick s	Plate Height					Chain Weight kg/m
									h ₁	h ₂	h ₃	b ₂	b ₃	
FV112A100	100	30	16	22				6	40			32	36	6.11
FV112B100	100	30	16		32			6	40			32	36	7.06
FV112C100	100	30	16			55		6	40			32	36	10.5
FV112D100	100	30	16			72	87	6	40			32	36	14.3
FV112E100	100	30	16			55		6		50	30	32	36	12.24
FV112A125	125	30	16	22				6	40			32	36	5.85
FV112B125	125	30	16		32			6	40			32	36	6.61
FV112C125	125	30	16			55		6	40			32	36	9.39
FV112D125	125	30	16			72	87	6	40			32	36	12.4
FV112E125	125	30	16			55		6		50	30	32	36	11.02
FV112A160	160	30	16	22				6	40			32	36	5.26
FV112B160	160	30	16		32			6	40			32	36	5.85
FV112C160	160	30	16			55		6	40			32	36	8.03
FV112D160	160	30	16			72	87	6	40			32	36	10.4
FV112E160	160	30	16			55		6		50	30	32	36	9.46
FV112A200	200	30	16	22				6	40			32	36	5
FV112B200	200	30	16		32			6	40			32	36	5.47
FV112C200	200	30	16			55		6	40			32	36	7.3
FV112D200	200	30	16			72	87	6	40			32	36	9.13
FV112E200	200	30	16			55		6		50	30	32	36	8.63