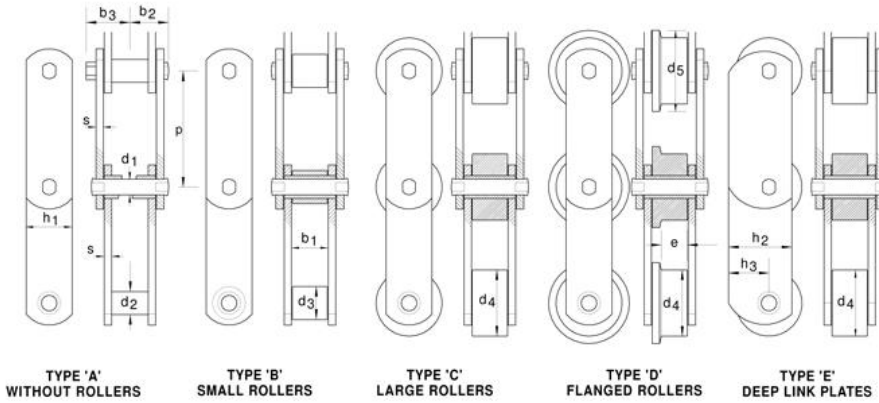




CONVEYOR CHAIN **FV140**

FV140 series Conveyor chains manufactured to DIN 8165 available in deep links and rollers and lain Bush Construction, 140KN breaking strength conveyor chain.



FB Letchworth Ref	Pitch p	Inside Width b ₁	Pin Dia d ₁	Bush Dia d ₂	Roller Dia d ₃	Roller Dia d ₄	Flange Dia d ₅	Plate Thick s	Plate Height			Chain Weight kg/m		
									h ₁	h ₂	h ₃	b ₂	b ₃	

FV140A100	100	35	18	26				6	45			34	40	7.38
FV140B100	100	35	18		36			6	45			34	40	8.69
FV140C100	100	35	18			60		6	45			34	40	13.3

FV140E100	100	35	18			60		6		60	38	34	40	15.95
-----------	-----	----	----	--	--	----	--	---	--	----	----	----	----	-------

FV140A125	125	35	18	26				6	45			34	40	6.78
FV140B125	125	35	18		36			6	45			34	40	7.8
FV140C125	125	35	18			60		6	45			34	40	11.5
FV140D125	125	35	18			80	95	6	45			34	40	15.7
FV140E125	125	35	18			60		6		60	38	34	40	14.05

FV140A160	160	35	18	26				6	45			34	40	6.56
FV140B160	160	35	18		36			6	45			34	40	7.36
FV140C160	160	35	18			60		6	45			34	40	10.2
FV140D160	160	35	18			80	95	6	45			34	40	13.5
FV140E160	160	35	18			60		6		60	38	34	40	12.45

FV140A200	200	35	18	26				6	45			34	40	5.82
FV140B200	200	35	18		36			6	45			34	40	6.46
FV140C200	200	35	18			60		6	45			34	40	8.77
FV140D200	200	35	18			80	95	6	45			34	40	11.4
FV140E200	200	35	18			60		6		60	38	34	40	10.8