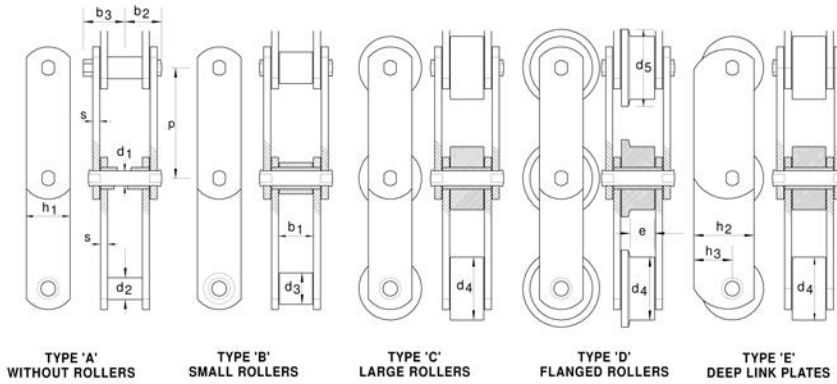




# CONVEYOR CHAIN **FV180**

**FV180 series Conveyor chains manufactured to DIN 8165 available in deep links and rollers and Iain Bush Construction, 180KN breaking strength conveyor chain.**



FB Letchworth Ref	Pitch p	Inside Width b <sub>1</sub>	Pin Dia d <sub>1</sub>	Bush Dia d <sub>2</sub>	Roller Dia d <sub>3</sub>	Roller Dia d <sub>4</sub>	Flange Dia d <sub>5</sub>	Plate Thick s	Plate Height			Chain Weight kg/m	
									h <sub>1</sub>	h <sub>2</sub>	h <sub>3</sub>	b <sub>2</sub>	b <sub>3</sub>

FV180A125	125	45	20	30				8	50			43	50	10.7
FV180B125	125	45	20		42			8	50			43	50	12.5
FV180C125	125	45	20			70		8	50			43	50	19.2

FV180E125	125	45	20			70		8		70	45	43	50	23.9
-----------	-----	----	----	--	--	----	--	---	--	----	----	----	----	------

FV180A160	160	45	20	30				8	50			43	50	9.72
FV180B160	160	45	20		42			8	50			43	50	11.2
FV180C160	160	45	20			70		8	50			43	50	16.3
FV180D160	160	45	20				100	120	8	50		43	50	22.2
FV180E160	160	45	20			70		8		70	45	43	50	20.6

FV180A200	200	45	20	30				8	50			43	50	9.12
FV180B200	200	45	20		42			8	50			43	50	10
FV180C200	200	45	20			70		8	50			43	50	14.4
FV180D200	200	45	20				100	120	8	50		43	50	19.1
FV180E200	200	45	20			70		8		70	45	43	50	18.3

FV180A250	250	45	20	30				8	50			43	50	8.51
FV180B250	250	45	20		42			8	50			43	50	9.43
FV180C250	250	45	20			70		8	50			43	50	12.7
FV180D250	250	45	20				100	120	8	50		43	50	16.9
FV180E250	250	45	20			70				70	45	43	50	16.4