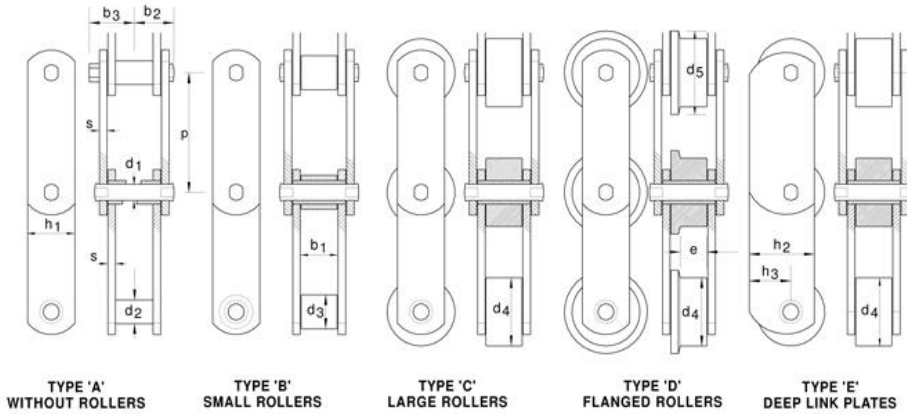




CONVEYOR CHAIN **FV250**

FV250 series Conveyor chains manufactured to DIN 8165 available in deep links and rollers and lain Bush Construction, 250KN breaking strength conveyor chain.



FB Letchworth Ref	Pitch p	Inside Width b ₁	Pin Dia d ₁	Bush Dia d ₂	Roller Dia d ₃	Roller Dia d ₄	Flange Dia d ₅	Plate Thick s	Plate Height h ₁	h ₂	h ₃	b ₂	b ₃	Chain Weight kg/m
-------------------	---------	-----------------------------	------------------------	-------------------------	---------------------------	---------------------------	---------------------------	---------------	-----------------------------	----------------	----------------	----------------	----------------	-------------------

FV250A125	125	55	26	36				8	60			49	57	14.3
FV250B125	125	55	26		50			8	60			49	57	17.5
FV250C125	125	55	26			80		8	60			49	57	27.5

FV250E125	125	55	26			80		8		80	50	49	57	32.8
-----------	-----	----	----	--	--	----	--	---	--	----	----	----	----	------

FV250A160	160	55	26	36				8	60			49	57	13
FV250B160	160	55	26		50			8	60			49	57	15.5
FV250C160	160	55	26			80		8	60			49	57	23.4
FV250D160	160	55	26			125	145	8	60			49	57	39.9
FV250E160	160	55	26			80		8		80	50	49	57	28.1

FV250A200	200	55	26	36				8	60			49	57	11.8
FV250B200	200	55	26		50			8	60			49	57	13.8
FV250C200	200	55	26			80		8	60			49	57	20.6
FV250D200	200	55	26			125	145	8	60			49	57	33.3
FV250E200	200	55	26			80		8		80	50	49	57	24.9

FV250A250	250	55	26	36				8	60			49	57	10.8
FV250B250	250	55	26		50			8	60			49	57	12.4
FV250C250	250	55	26			80		8	60			49	57	17.4
FV250D250	250	55	26			125	145	8	60			49	57	28
FV250E250	250	55	26			80		8		80	50	49	57	21.3

