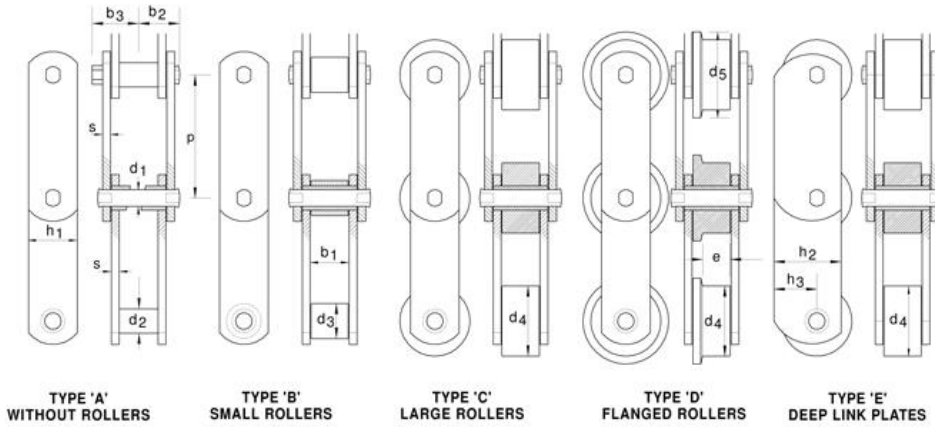




CONVEYOR CHAIN **FV315**

FV315 series Conveyor chains manufactured to DIN 8165 available in deep links and rollers and lain Bush Construction, 315KN breaking strength conveyor chain.



| FB Letchworth Ref | Pitch p | Inside Width b ₁ | Pin Dia d ₁ | Bush Dia d ₂ | Roller Dia d ₃ | Roller Dia d ₄ | Flange Dia d ₅ | Plate Thick s | Plate Height | | | | | Chain Weight kg/m |
|-------------------|---------|-----------------------------|------------------------|-------------------------|---------------------------|---------------------------|---------------------------|---------------|----------------|----------------|----------------|----------------|----------------|-------------------|
| | | | | | | | | | h ₁ | h ₂ | h ₃ | b ₂ | b ₃ | |
| FV315A160 | 160 | 65 | 30 | 42 | | | | 10 | 70 | | | 59 | 67 | 20.04 |
| FV315B160 | 160 | 65 | 30 | | 60 | | | 10 | 70 | | | 59 | 67 | 24.51 |
| FV315C160 | 160 | 65 | 30 | | | 90 | | 10 | 70 | | | 59 | 67 | 35.67 |
| FV315E160 | 160 | 65 | 30 | | | 90 | | 10 | | 90 | 55 | 59 | 67 | 42 |
| FV315A200 | 200 | 65 | 30 | 42 | | | | 10 | 70 | | | 59 | 67 | 18.24 |
| FV315B200 | 200 | 65 | 30 | | 60 | | | 10 | 70 | | | 59 | 67 | 21.82 |
| FV315C200 | 200 | 65 | 30 | | | 90 | | 10 | 70 | | | 59 | 67 | 30.74 |
| FV315D200 | 200 | 65 | 30 | | | 140 | 170 | 10 | 70 | | | 59 | 67 | 43.59 |
| FV315E200 | 200 | 65 | 30 | | | 90 | | 10 | | 90 | 55 | 59 | 67 | 36.45 |
| FV315A250 | 250 | 65 | 30 | 42 | | | | 10 | 70 | | | 59 | 67 | 16.79 |
| FV315B250 | 250 | 65 | 30 | | 60 | | | 10 | 70 | | | 59 | 67 | 19.65 |
| FV315C250 | 250 | 65 | 30 | | | 90 | | 10 | 70 | | | 59 | 67 | 26.79 |
| FV315D250 | 250 | 65 | 30 | | | 140 | 170 | 10 | 70 | | | 59 | 67 | 37.07 |
| FV315E250 | 250 | 65 | 30 | | | 90 | | 10 | | 90 | 55 | 59 | 67 | 31.9 |
| FV315A315 | 315 | 65 | 30 | 42 | | | | 10 | 70 | | | 59 | 67 | 15.53 |
| FV315B315 | 315 | 65 | 30 | | 60 | | | 10 | 70 | | | 59 | 67 | 17.8 |
| FV315C315 | 315 | 65 | 30 | | | 90 | | 10 | 70 | | | 59 | 67 | 23.46 |
| FV315D315 | 315 | 65 | 30 | | | 140 | 170 | 10 | 70 | | | 59 | 67 | 31.62 |
| FV315E315 | 315 | 65 | 30 | | | 90 | | 10 | | 90 | 55 | 59 | 67 | 28.26 |