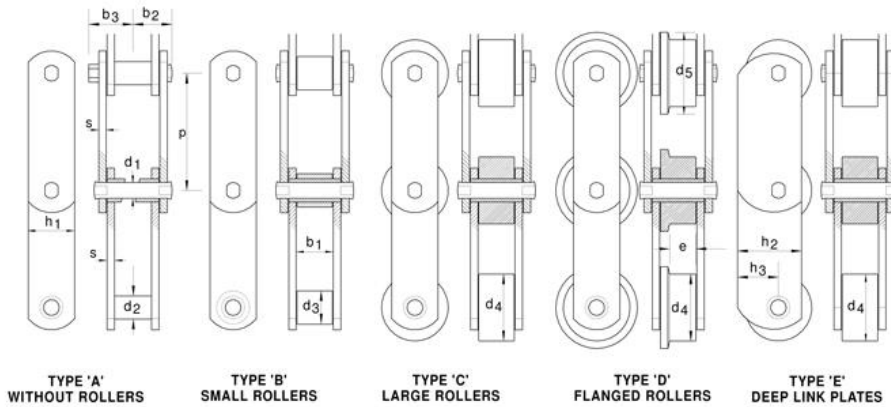




CONVEYOR CHAIN **FV40**

FV40 series Conveyor chains manufactured to DIN 8165 available in deep links and rollers and Plain Bush Construction, 40KN breaking strength conveyor chain.



FB Letchworth Ref	Pitch p	Inside Width b ₁	Pin Dia d ₁	Bush Dia d ₂	Roller Dia d ₃	Roller Dia d ₄	Flange Dia d ₅	Plate Thick s	Plate Height					Chain Weight kg/m
									h ₁	h ₂	h ₃	b ₂	b ₃	
FV40A40	40	18	10	15				3	25			18.5	22	2.59
FV40B40	40	18	10		20			3	25			18.5	22	3.04
FV40C40	40	18	10			32		3	25			18.5	22	4.68
FV40E40	40	18	10			32		3		35	22	18.5	22	5.8
FV40A63	63	18	10	15				3	25			18.5	22	2.08
FV40B63	63	18	10		20			3	25			18.5	22	2.36
FV40C63	63	18	10			32		3	25			18.5	22	3.43
FV40D63	63	18	10			40	48	3	25			18.5	22	4.65
FV40E63	63	18	10			32		3		35	22	18.5	22	4,35
FV40A80	80	18	10	15				3	25			18.5	22	1.92
FV40B80	80	18	10		20			3	25			18.5	22	2.15
FV40C80	80	18	10			32		3	25			18.5	22	3.01
FV40D80	80	18	10			40	48	3	25			18.5	22	4.01
FV40E80	80	18	10			32		3		35	22	18.5	22	3.83
FV40A100	100	18	10	15				3	25			18.5	22	1.76
FV40B100	100	18	10		20			3	25			18.5	22	1.94
FV40C100	100	18	10			32		3	25			18.5	22	2.6
FV40D100	100	18	10			40	48	3	25			18.5	22	3.38
FV40E100	100	18	10			32		3		35	22	18.5	22	3.31