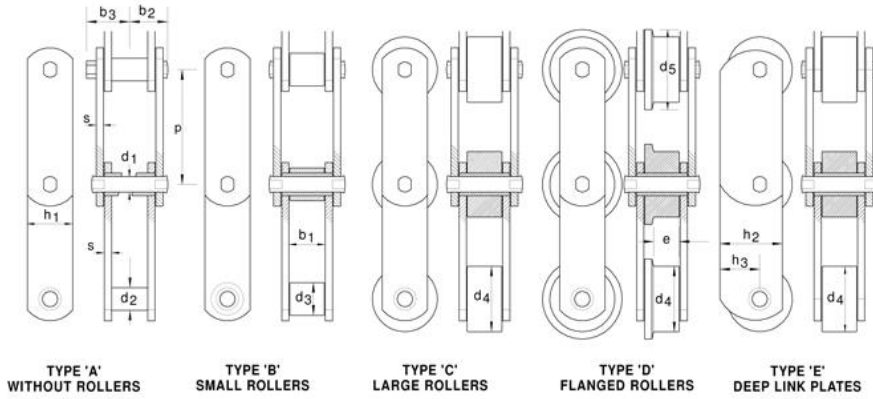




CONVEYOR CHAIN **FV400**

FV400 series Conveyor chains manufactured to DIN 8165 available in deep links and rollers and lain Bush Construction, 400KN breaking strength conveyor chain.



FB Letchworth Ref	Pitch p	Inside Width b ₁	Pin Dia d ₁	Bush Dia d ₂	Roller Dia d ₃	Roller Dia d ₄	Flange Dia d ₅	Plate Thick s	Plate Height					Chain Weight kg/m
									h ₁	h ₂	h ₃	b ₂	b ₃	
FV400A160	160	70	32	44				12	70			65.5	75	24.16
FV400B160	160	70	32		60			12	70			65.5	75	28.52
FV400C160	160	70	32			100		12	70			65.5	75	45.58
FV400E160	160	70	32			100		12		90	55	65.5	75	53.64
FV400A200	200	70	32	44				12	70			65.5	75	21.91
FV400B200	200	70	32		60			12	70			65.5	75	25.4
FV400C200	200	70	32			100		12	70			65.5	75	39.05
FV400D200	200	70	32			150	185	12	70			65.5	75	56.11
FV400E200	200	70	32			100		12		90	55	65.5	75	46.3
FV400A250	250	70	32	44				12	70			65.5	75	20.17
FV400B250	250	70	32		60			12	70			65.5	75	22.96
FV400C250	250	70	32			100		12	70			65.5	75	33.88
FV400D250	250	70	32			150	185	12	70			65.5	75	47.53
FV400E250	250	70	32			100		12		90	55	65.5	75	40.41
FV400A315	315	70	32	44				12	70			65.5	75	18.73
FV400B315	315	70	32		60			12	70			65.5	75	20.95
FV400C315	315	70	32			100		12	70			65.5	75	29.61
FV400D315	315	70	32			150	185	12	70			65.5	75	40.44
FV400E315	315	70	32			100		12		90	55	65.5	75	35.6