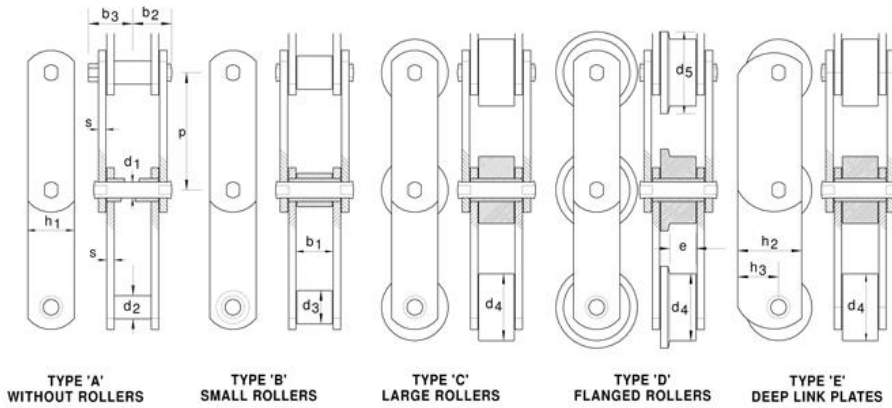




# CONVEYOR CHAIN **FV500**

**FV500 series Conveyor chains manufactured to DIN 8165 available in deep links and rollers and lain Bush Construction, 500KN breaking strength conveyor chain.**



FB Letchworth Ref	Pitch p	Inside Width b <sub>1</sub>	Pin Dia d <sub>1</sub>	Bush Dia d <sub>2</sub>	Roller Dia d <sub>3</sub>	Roller Dia d <sub>4</sub>	Flange Dia d <sub>5</sub>	Plate Thick s	Plate Height					Chain Weight kg/m
									h <sub>1</sub>	h <sub>2</sub>	h <sub>3</sub>	b <sub>2</sub>	b <sub>3</sub>	
FV500A160	160	80	36	50				12	80			71	81	30.04
FV500B160	160	80	36		70			12	80			71	81	37.18
FV500C160	160	80	36			110		12	80			71	81	58.9
FV500E160	160	80	36			110		12		100	60	71	81	67.2
FV500A200	200	80	36	50				12	80			71	81	27.04
FV500B200	200	80	36		70			12	80			71	81	32.75
FV500C200	200	80	36			110		12	80			71	81	50.13
FV500E200	200	80	36			110		12		100	60	71	81	57.5
FV500A250	250	80	36	50				12	80			71	81	24.65
FV500B250	250	80	36		70			12	80			71	81	29.22
FV500C250	250	80	36			110		12	80			71	81	43.12
FV500D250	250	80	36			160	195	12	80			71	81	55.48
FV500E250	250	80	36			110		12		100	60	71	81	49.86
FV500A315	315	80	36	50				12	80			71	81	22.68
FV500B315	315	80	36		70			12	80			71	81	26.3
FV500C315	315	80	36			110		12	80			71	81	37.34
FV500D315	315	80	36			160	195	12	80			71	81	47.14
FV500E315	315	80	36			110				100	60	71	81	43.46