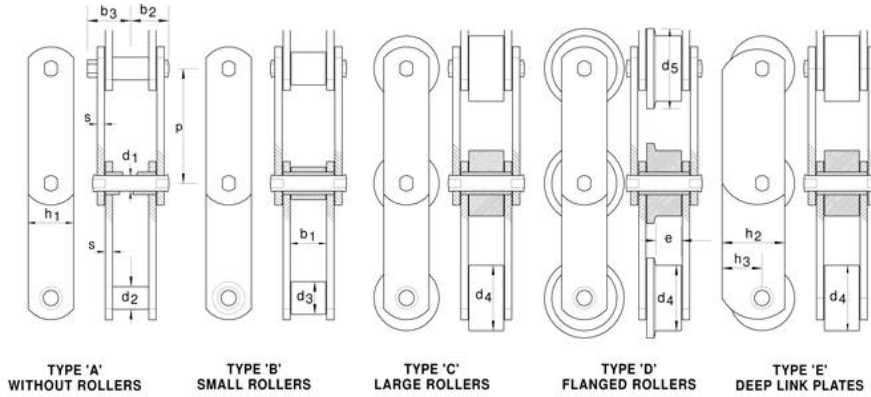




# CONVEYOR CHAIN **FV63**

**FV63 series Conveyor chains manufactured to DIN 8165 available in deep links and rollers and Plain Bush Construction, 63KN breaking strength conveyor chain.**



FB Letchworth Ref	Pitch p	Inside Width b <sub>1</sub>	Pin Dia d <sub>1</sub>	Bush Dia d <sub>2</sub>	Roller Dia d <sub>3</sub>	Roller Dia d <sub>4</sub>	Flange Dia d <sub>5</sub>	Plate Thick s	Plate Height			Chain Weight kg/m
									h <sub>1</sub>	h <sub>2</sub>	h <sub>3</sub>	

FV63A63	63	22	12	18				4	30			23	27.5	3.46
FV63B63	63	22	12		26			4	30			23	27.5	4.17
FV63C63	63	22	12			40		4	30			23	27.5	6.08

FV63E63	63	22	12			40		4		40	25	23	27.5	7.3
---------	----	----	----	--	--	----	--	---	--	----	----	----	------	-----

FV63A100	100	22	12	18				4	30			23	27.5	2.92
FV63B100	100	22	12		26			4	30			23	27.5	3.37
FV63C100	100	22	12			40		4	30			23	27.5	4.57
FV63D100	100	22	12			50	60	4	30			23	27.5	5.6
FV63E100	100	22	12			40		4		40	25	23	27.5	5.59

FV63A125	125	22	12	18				4	30			23	27.5	2.67
FV63B125	125	22	12		26			4	30			23	27.5	3.03
FV63C125	125	22	12			40		4	30			23	27.5	3.97
FV63D125	125	22	12			50	60	4	30			23	27.5	4.82
FV63E125	125	22	12			40		4		40	25	23	27.5	4.89

FV63A160	160	22	12	18				4	30			23	27.5	2.45
FV63B160	160	22	12		26			4	30			23	27.5	2.73
FV63C160	160	22	12			40		4	30			23	27.5	3.48
FV63D160	160	22	12			50	60	4	30			23	27.5	4.13
FV63E160	160	22	12			40		4		40	25	23	27.5	4.28