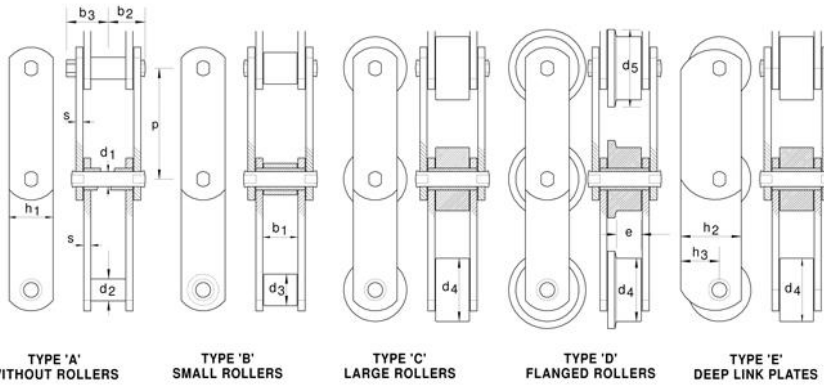




CONVEYOR CHAIN **FV630**

FV630 series Conveyor chains manufactured to DIN 8165 available in deep links and rollers and Iain Bush Construction, 630KN breaking strength conveyor chain.



FB Letchworth Ref	Pitch p	Inside Width b ₁	Pin Dia d ₁	Bush Dia d ₂	Roller Dia d ₃	Roller Dia d ₄	Flange Dia d ₅	Plate Thick s	Plate Height					Chain Weight kg/m
									h ₁	h ₂	h ₃	b ₂	b ₃	

FV630A200	200	90	42	56				12	100			77	86	36.45
FV630B200	200	90	42		80			12	100			77	86	45.22
FV630C200	200	90	42			120		12	100			77	86	67.25

FV630E200	200	90	42			120		12		120	70	77	86	75.3
-----------	-----	----	----	--	--	-----	--	----	--	-----	----	----	----	------

FV630A250	250	90	42	56				12	100			77	86	32.93
FV630B250	250	90	42		80			12	100			77	86	39.95
FV630C250	250	90	42			120		12	100			77	86	57.57
FV630D250	250	90	42			170	210	12	100			77	86	76.2
FV630E250	250	90	42			120		12		120	70	77	86	64.7

FV630A315	315	90	42	56				12	100			77	86	30.02
FV630B315	315	90	42		80			12	100			77	86	35.59
FV630C315	315	90	42			120		12	100			77	86	49.57
FV630D315	315	90	42			170	210	12	100			77	86	64.36
FV630E315	315	90	42			120		12		120	70	77	86	55.6

FV630A400	400	90	42	56				12	100			77	86	27.65
FV630B400	400	90	42		80			12	100			77	86	32.04
FV630C400	400	90	42			120		12	100			77	86	43.05
FV630D400	400	90	42			170	210	12	100			77	86	54.69
FV630E400	400	90	42			120		12		120	70	77	86	48.9