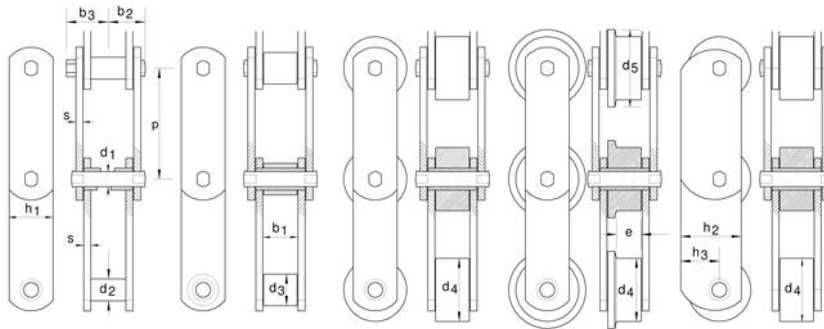




CONVEYOR CHAIN **FV90**

FV90 series Conveyor chains manufactured to DIN 8165 available in deep links and rollers and Plain Bush Construction, 90KN breaking strength conveyor chain.



TYPE 'A' WITHOUT ROLLERS TYPE 'B' SMALL ROLLERS TYPE 'C' LARGE ROLLERS TYPE 'D' FLANGED ROLLERS TYPE 'E' DEEP LINK PLATES

FB Letchworth Ref	Pitch p	Inside Width b ₁	Pin Dia d ₁	Bush Dia d ₂	Roller Dia d ₃	Roller Dia d ₄	Flange Dia d ₅	Plate Thick s	Plate Height					Chain Weight kg/m
									h ₁	h ₂	h ₃	b ₂	b ₃	

FV90A63	63	25	14	20				5	35			26.5	31	5.72
FV90B63	63	25	14		30			5	35			26.5	31	6.87
FV90C63	63	25	14			48		5	35			26.5	31	10

FV90E63	63	25	14			48		5		45	27.5	26.5	31	11.84
---------	----	----	----	--	--	----	--	---	--	----	------	------	----	-------

FV90A100	100		14	20				5	35			26.5	31	4.67
FV90B100	100	25	14		30			5	35			26.5	31	5.4
FV90C100	100	25	14			48		5	35			26.5	31	7.37
FV90D100	100	25	14			63	73	5	35			26.5	31	9.59
FV90E100	100	25	14			48		5		45	27.5	26.5	31	8.7

FV90A125	125	25	14	20				5	35			26.5	31	4.35
FV90B125	125	25	14		30			5	35			26.5	31	4.93
FV90C125	125	25	14			48		5	35			26.5	31	6.51
FV90D125	125	25	14			63	73	5	35			26.5	31	8.29
FV90E125	125	25	14			48		5		45	27.5	26.5	31	7.73

FV90A160	160	25	14	20				5	35			26.5	31	3.87
FV90B160	160	25	14		30			5	35			26.5	31	4.32
FV90C160	160	25	14			48		5	35			26.5	31	5.56
FV90D160	160	25	14			63	73	5	35			26.5	31	6.95
FV90E160	160	25	14			48		5		63	27.5	26.5	31	6.76