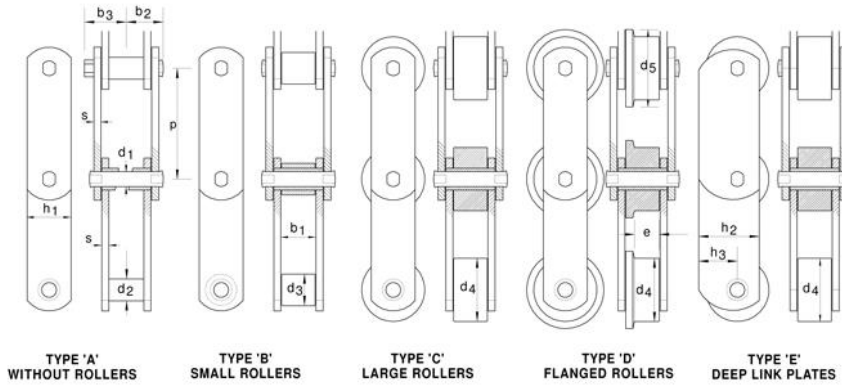




CONVEYOR CHAIN M040

M40 series Conveyor chains manufactured to DIN 8167 ISO 1977 available in deep links and rollers and Plain Bush Construction, 40KN breaking strength conveyor chain.



FB Kedjor Ref	FB Letchworth Ref	Pitch p	Inside Width b ₁	Pin Dia d ₁	Bush Dia d ₂	Roller Dia d ₃	Roller Dia d ₄	Flange Dia d ₅	Plate Thick s	Plate Height			Chain Weight kg/m		
								e		h ₁	h ₂	h ₃	b ₂	b ₃	

3421	M040A063	63	20	8.5	12.5				4	25			21	24	2.4
3422	M040B063	63	20	8.5		18			4	25			21	24	2.7
3423	M040C063	63	20	8.5			36		4	25			21	24	4.2
3424	M040D063	63	20	8.5			36	42	4	25			21	24	4.5
3425	M040E063	63	20	8.5			36		4		35	22.5	21	24	5.2

3431	M040A080	80	20	8.5	12.5				4	25			21	24	2.2
3432	M040B080	80	20	8.5		18			4	25			21	24	2.4
3433	M040C080	80	20	8.5			36		4	25			21	24	3.6
3434	M040D080	80	20	8.5			36	42	4	25			21	24	3.9
3435	M040E080	80	20	8.5			36		4		35	22.5	21	24	4.6

3441	M040A100	100	20	8.5	12.5				4	25			21	24	2.0
3442	M040B100	100	20	8.5		18			4	25			21	24	2.2
3443	M040C100	100	20	8.5			36		4	25			21	24	3.2
3444	M040D100	100	20	8.5			36	42	4	25			21	24	3.4
3445	M040E100	100	20	8.5			36		4		35	22.5	21	24	4.1

3451	M040A125	125	20	8.5	12.5				4	25			21	24	1.9
3452	M040B125	125	20	8.5		18			4	25			21	24	2.0
3453	M040C125	125	20	8.5			36		4	25			21	24	2.8
3454	M040D125	125	20	8.5			36	42	4	25			21	24	3.0
3455	M040E125	125	20	8.5			36		4		35	22.5	21	24	3.7